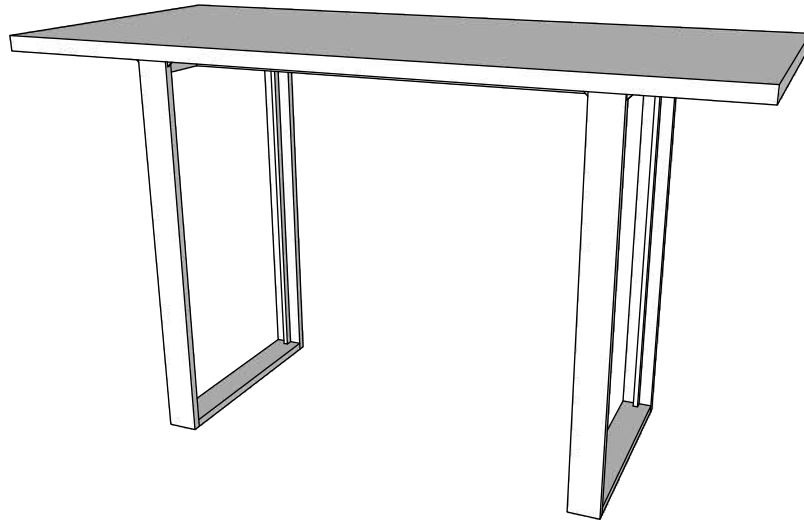


west elm

ASSEMBLY INSTRUCTIONS

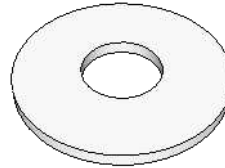
HORNE DINING TABLE



Hardware List:



Machine Bolts
(x14)



Washers
(x14)

Parts List:

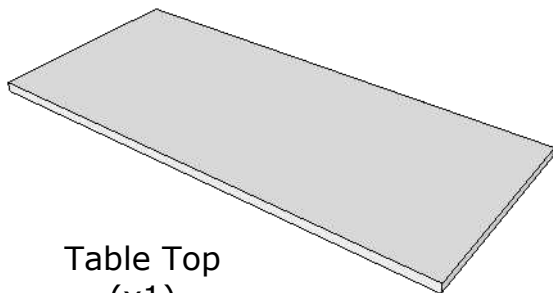
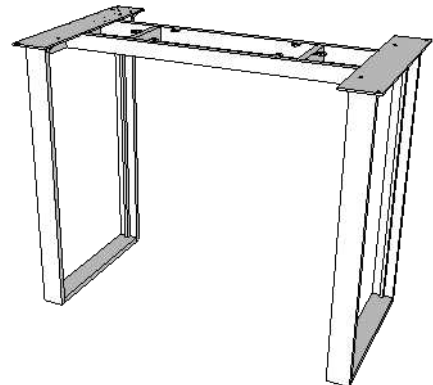


Table Top
(x1)



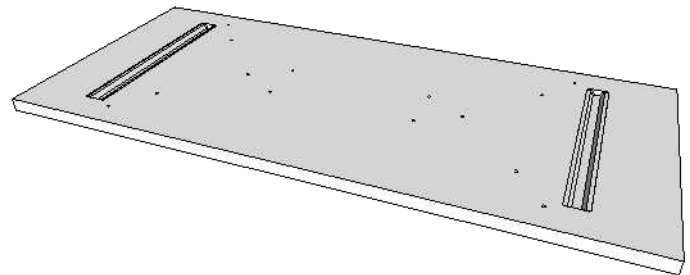
Metal Base
(x1)

west elm

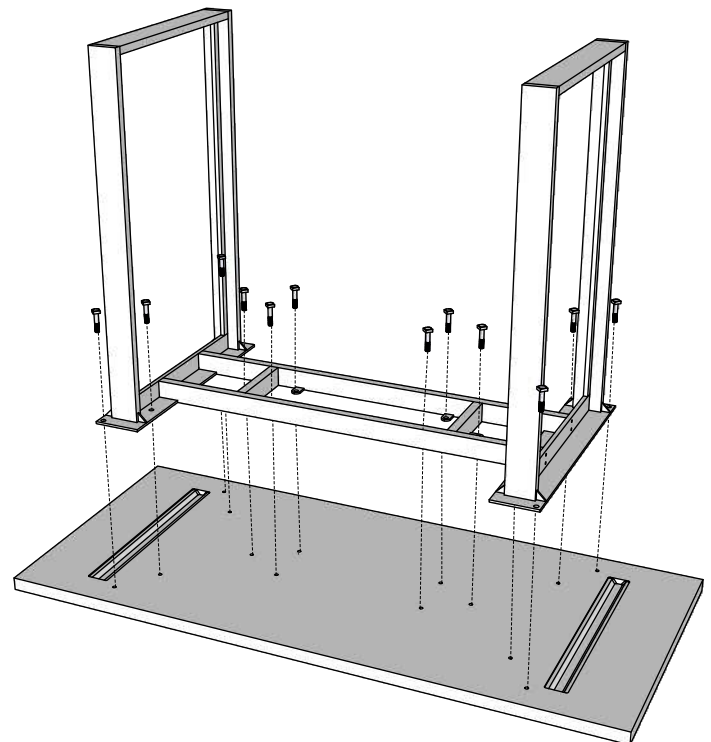
ASSEMBLY INSTRUCTIONS

HORNE DINING TABLE

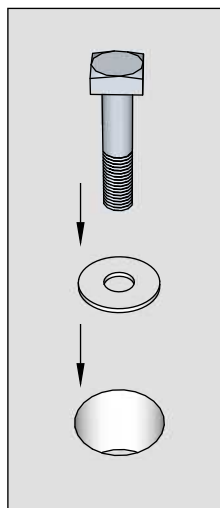
Step 1: Remove table tops from packaging and place upside down on a non-abrasive surface.



Step 2: Place Base on the table top and secure to the top with the provided machine bolts and washers.



Note: Put Machine Bolt through washer and then tighten into the table top.

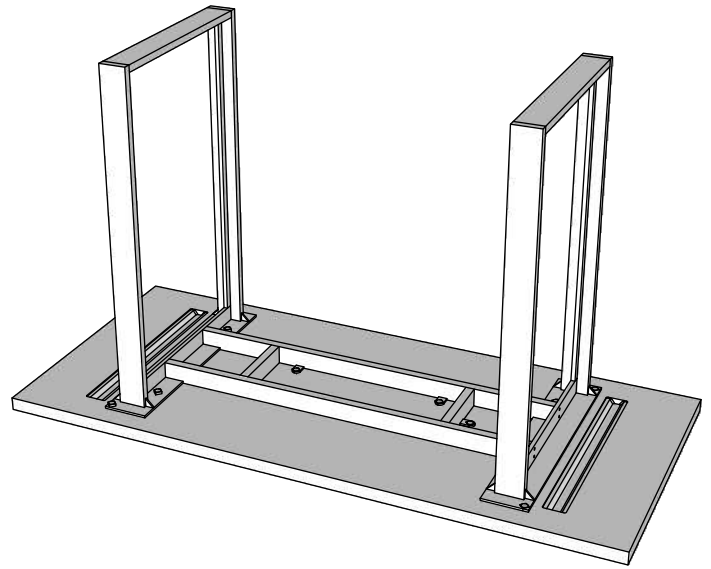


west elm

ASSEMBLY INSTRUCTIONS

HORNE DINING TABLE

Step 3: Tighten all Machine bolts to ensure everything stays in place when you flip the table over.



Step 4: Flip your table over and enjoy!

