

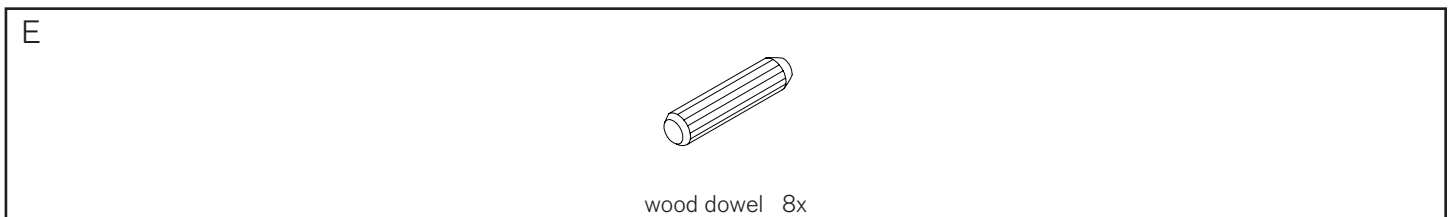
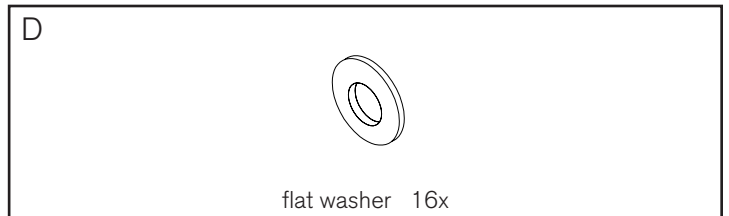
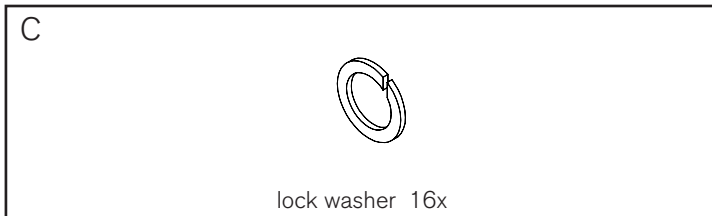
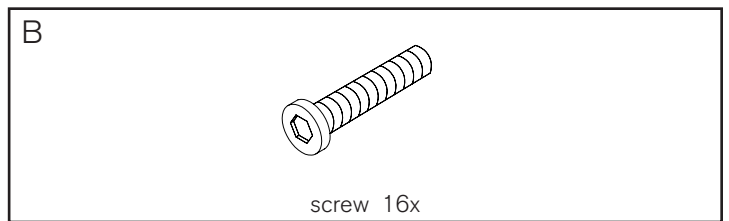
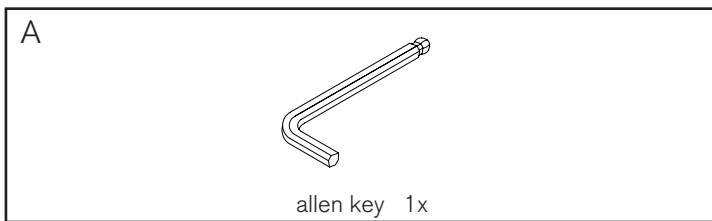
! Tools required:



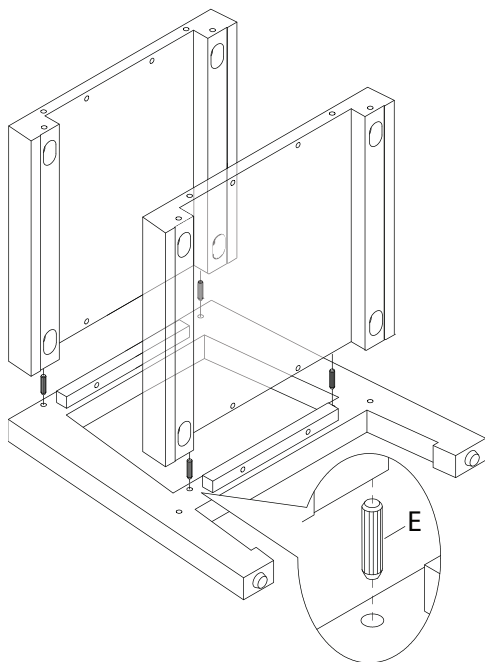
! Do not throw away packaging materials until assembly is complete.

! Assemble this item on a soft surface, such as cardboard or carpet, to protect finish.

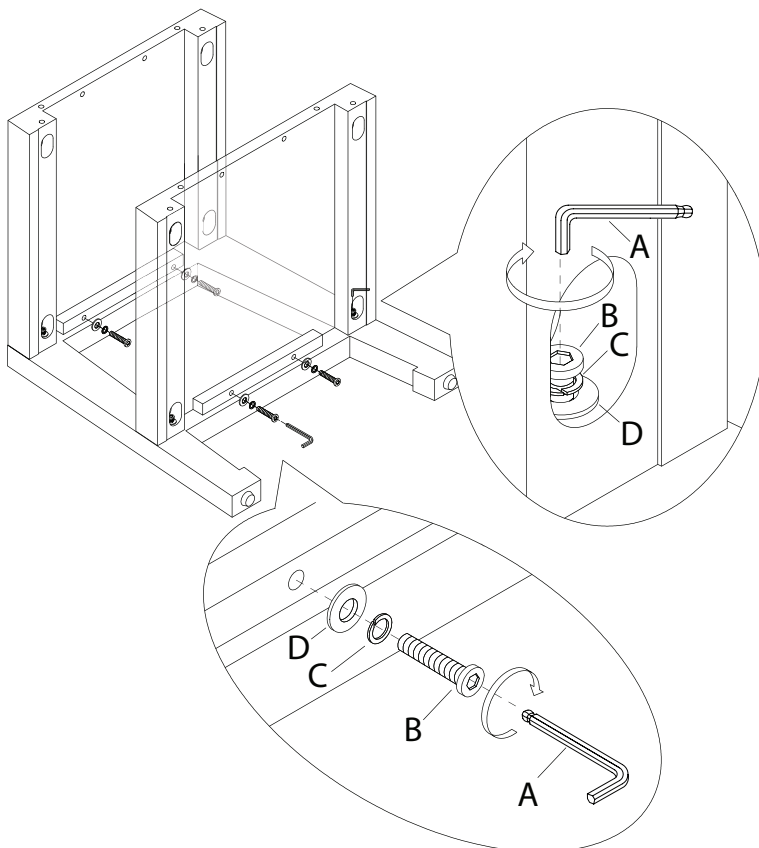
! Proper assembly of this item requires 2 people.



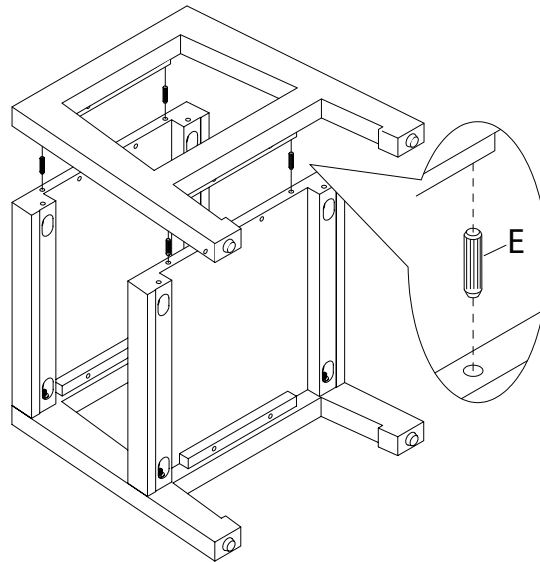
1. Insert dowels (E) into one side of top and bottom panels as shown. Set top and bottom panels into the side panel.



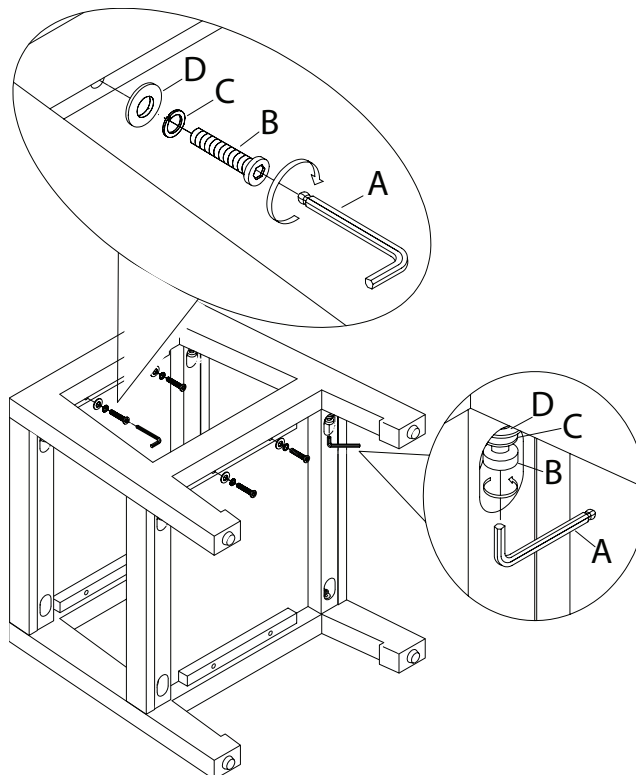
2. Fasten top and bottom panels to side panel using flat washer (D), lock washer (C), and screw (B) in order as shown. Tighten screws using allen key (A).



3. Insert dowels (E) into the other side of the top and bottom panels. Set top and bottom panels into the side panel.



4. Fasten top and bottom panels to the side panel using flat washer (D), lock washer (C), and screw (B) in order as shown. Tighten screws using allen key (A).



CARE INSTRUCTIONS

Hardware may loosen over time. Periodically check that all connections are tight.

Wipe with a soft, dry cloth. To protect finish, avoid the use of chemicals and household cleaners.