

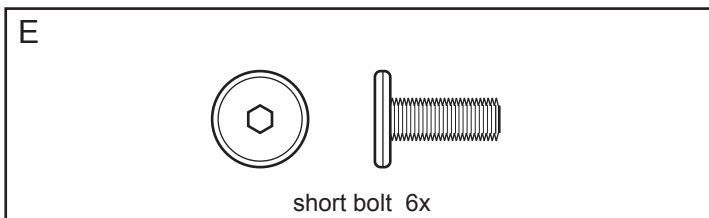
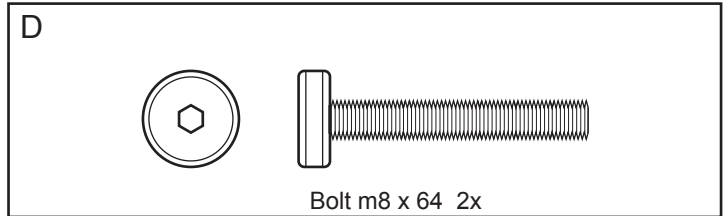
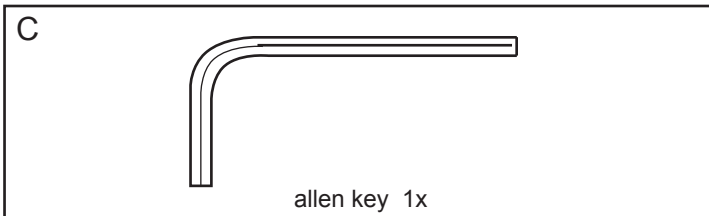
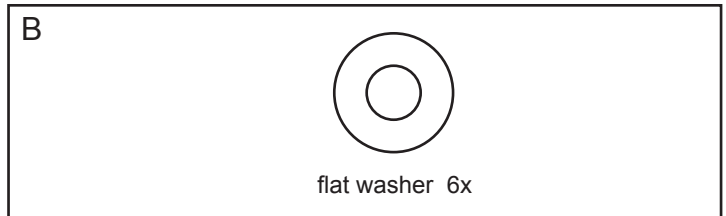
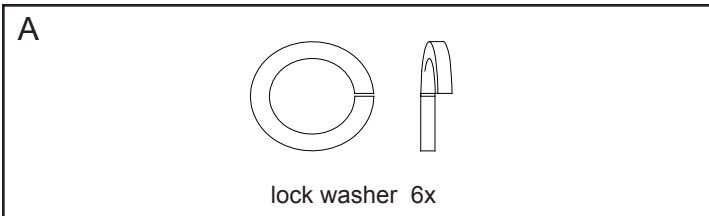
! Tools required:

! Do not throw away packaging materials until assembly is complete.

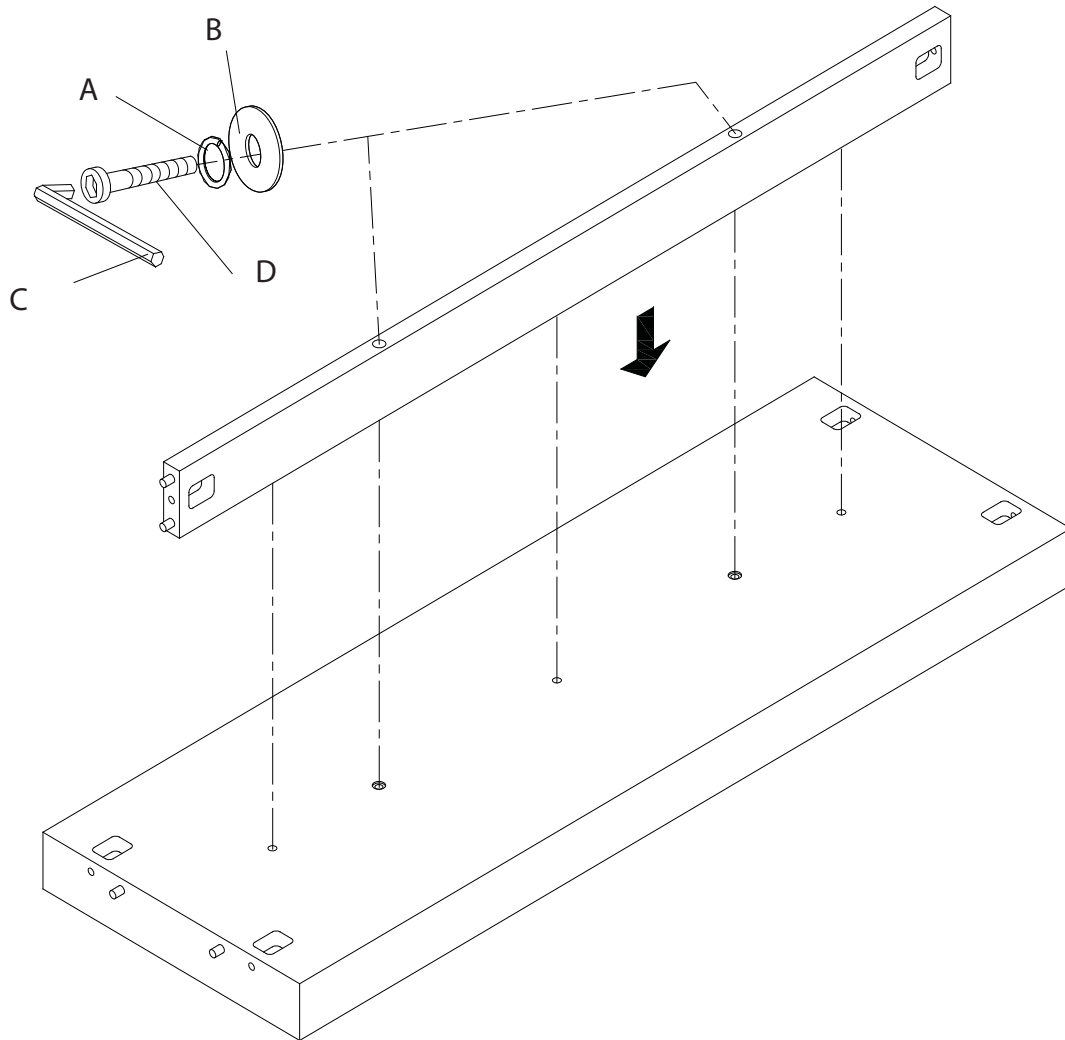
! Assemble this item on a soft surface, such as cardboard or carpet, to protect finish.

! Proper assembly of this item requires 2 people.

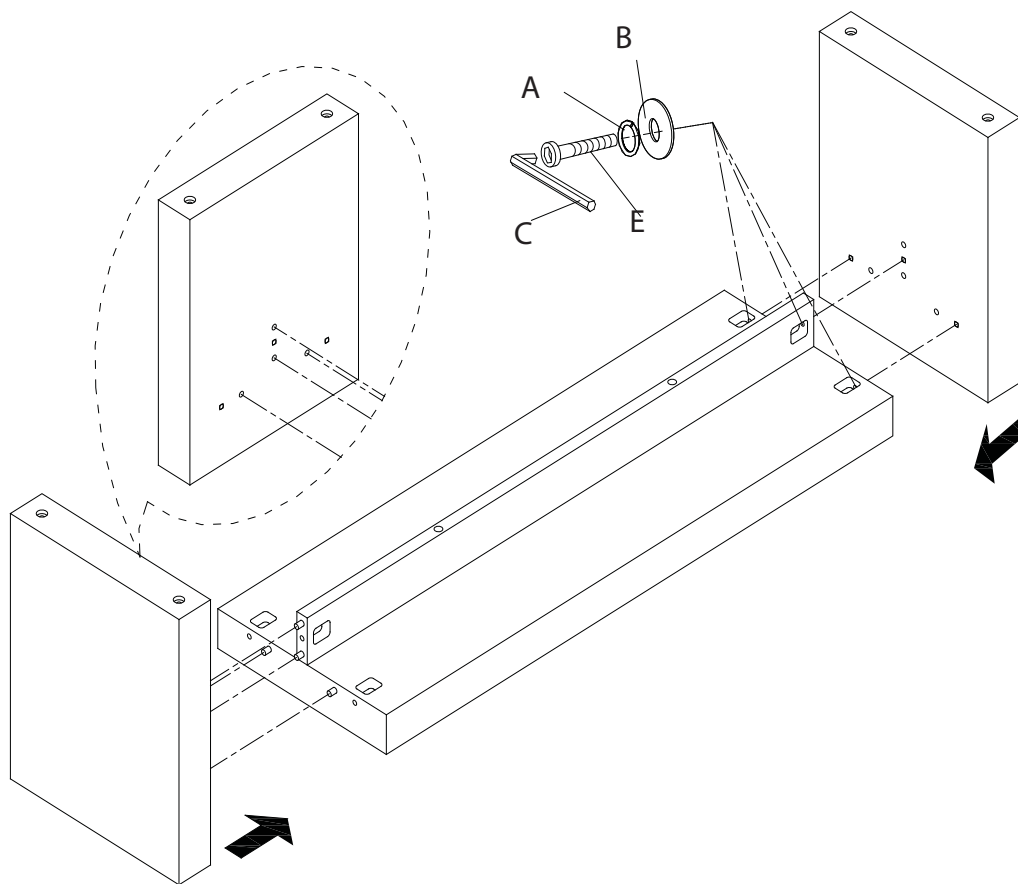
Hardware



1. Attach and secure the stretcher rail to the bottom of the bench top with the long bolts (D), lock washer (A), and the flat washer (B) as shown below.



2. Align and connect leg panels to dowels located in top part. Insert a lock washer (A), flat washer (B), and short bolt (E) thru cutout in bottom of top into leg panels. Check alignment and tighten.



CARE INSTRUCTIONS

Hardware may loosen overtime. Periodically check that all connections are tight.

Wipe with a soft, dry cloth. To protect finish, avoid the use of chemicals and household cleaners.