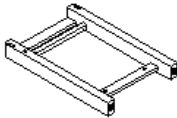


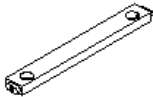
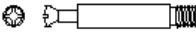




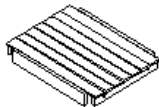
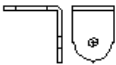

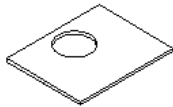



! Tools Required

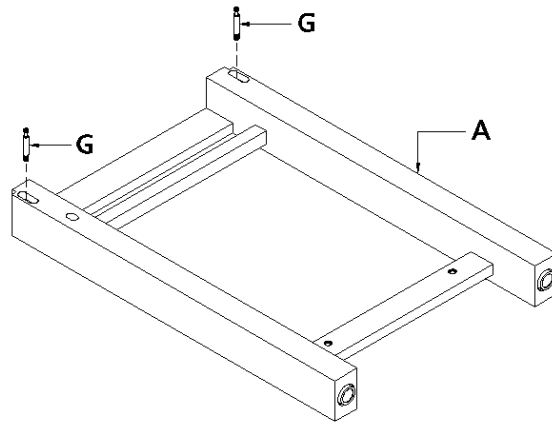
! Do not throw away packaging materials until assembly is complete.

! Assemble this item on a soft surface, such as cardboard or carpet, to protect finish.

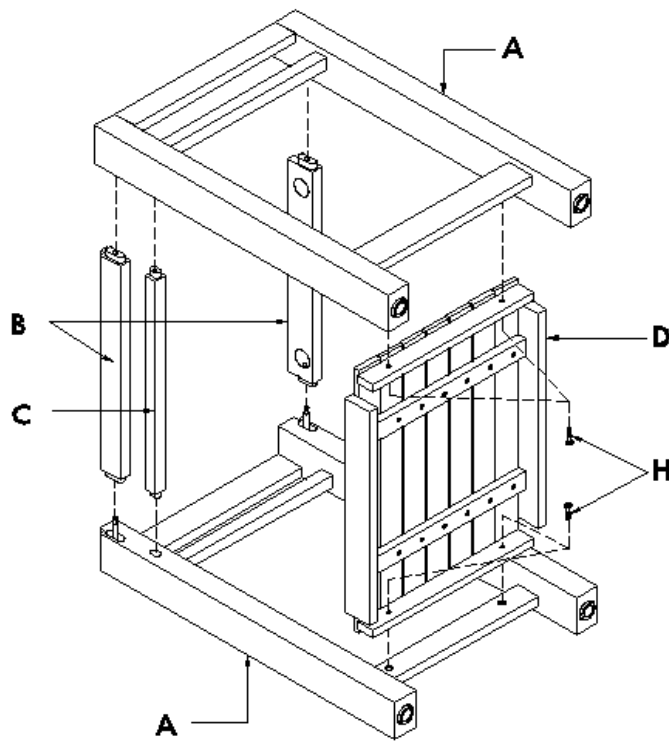
! Professional Installation is suggested.

<p>A. Side frame 2x</p> 	<p>F. Maxifix 4x</p> 	<p>K. Pan head screw 3/4" 8x</p> 
<p>B. Apron 2x</p> 	<p>G. Maxifix bolt 4x</p> 	<p>L. Countersunk head screw 2" 2x</p> 
<p>C. Stretcher 1x</p> 	<p>H. Bolt 4x</p> 	<p>M. Allen key #4 1x</p> 
<p>D. Shelf 1x</p> 	<p>I. L-Bracket 4x</p> 	<p>N. Allen key #6 1x</p> 
<p>E. Table top 1x</p> 	<p>J. Washer 4x</p> 	

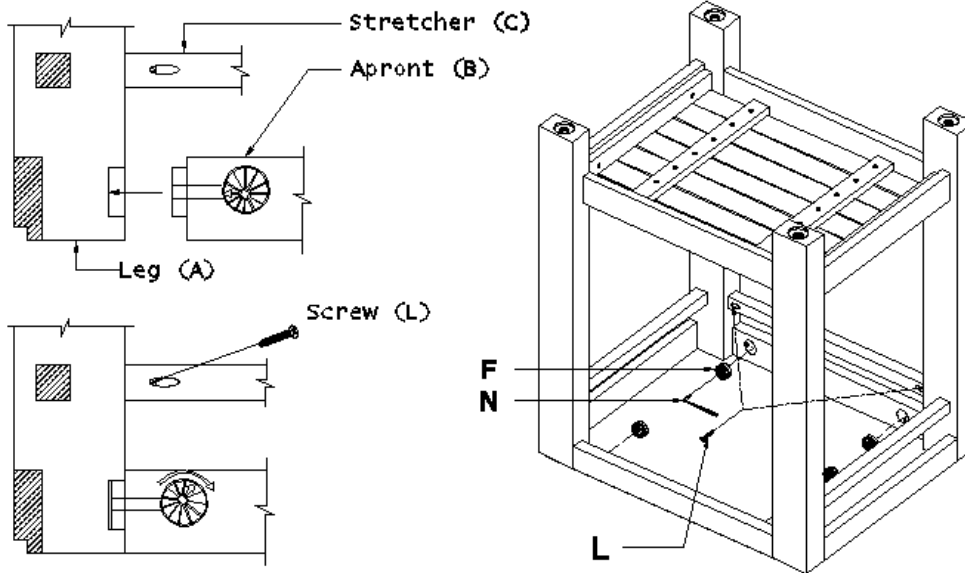
1. Insert the 4 maxifix bolts (G) into the holes located on the 2 side frames (A).



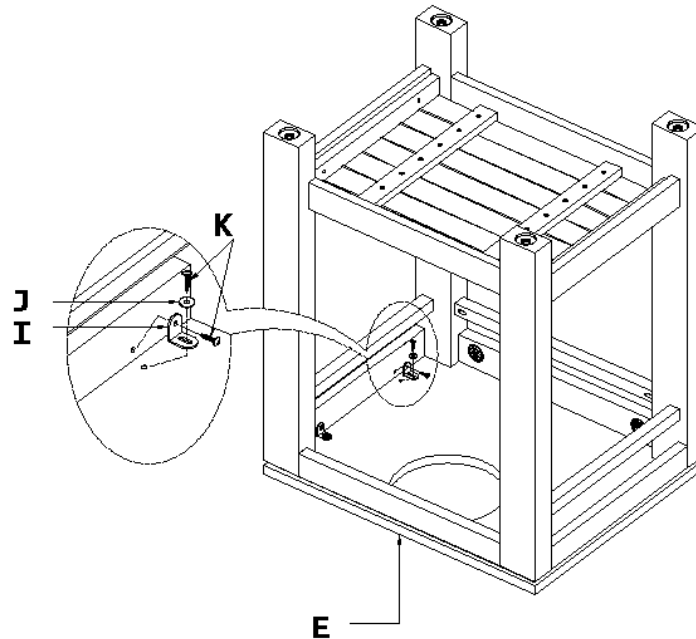
2. Position the 2 side frames (A) as shown. Insert the 2 aprons (B), stretcher (C), and shelf (D). Insert the bolts (H) into the hole of shelf bracing as shown and tighten fully using the enclosed allen key #4 (M).



3. Insert the 4 maxifix (F) into the hole of the apron as shown. Tighten fully using the enclosed allen key #6 (N). Insert the 2 countersunk head screws (L) into the holes of stretcher.



4. Position the top table (E) as shown. Apply the 4 L- brackets (I) and secure using screws (K)



CARE INSTRUCTIONS

Hardware may loosen over time. Periodically check that all connections are tight. Wipe with a soft, dry cloth. To protect finish, avoid the use of chemicals and household cleaners.

Over time, the original color of teak will weather and soften to a silver gray patina. To remove the silver-gray appearance and day to day dirt, wash with warm soapy water using a stiff scrubbing brush. Stroke lightly in the direction of the grain. Allow to dry completely. Commercial teak cleaner may be used to restore the natural color and luster of the wood. Natural stone is porous and can stain. Wipe spills immediately. For regular care, use a soft cloth slightly dampened with lukewarm water and immediately wipe with a clean cloth.