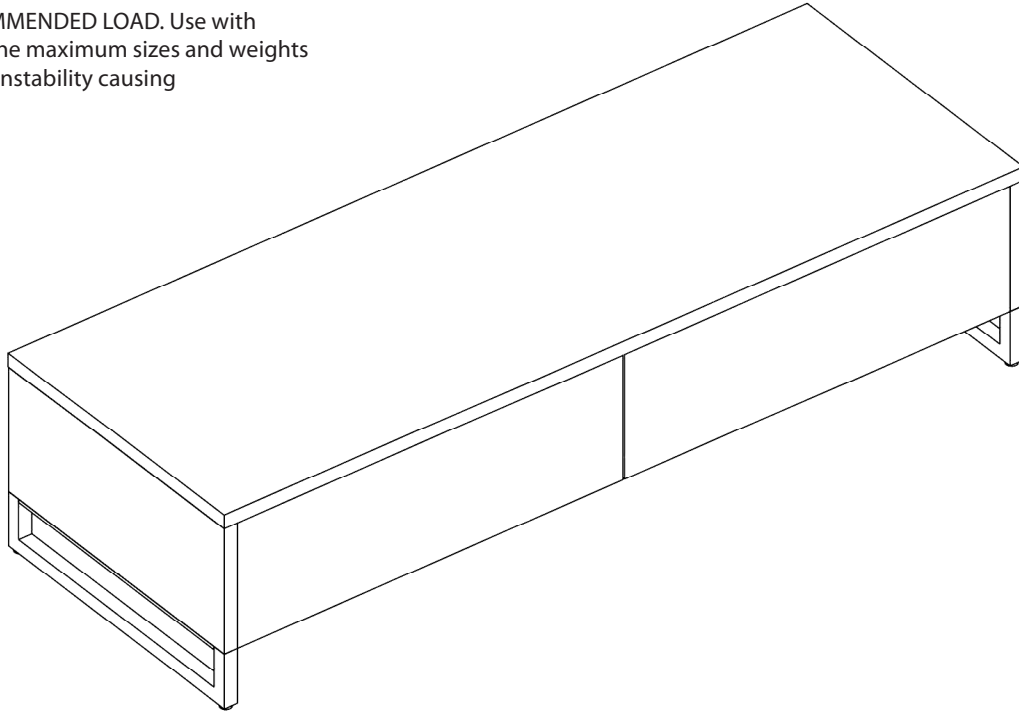


 **CAUTION**

The top shelf of this cart/stand is intended for use with: Plasma/HD televisions having a maximum screen size of 46 inches and weight of 135 lbs; or Tube televisions having a maximum screen size of 27 inches and weight of 135 lbs.

All other support shelves should not be loaded more than 25 lbs.

**DO NOT EXCEED RECOMMENDED LOAD.** Use with products heavier than the maximum sizes and weights indicated may result in instability causing possible injury.



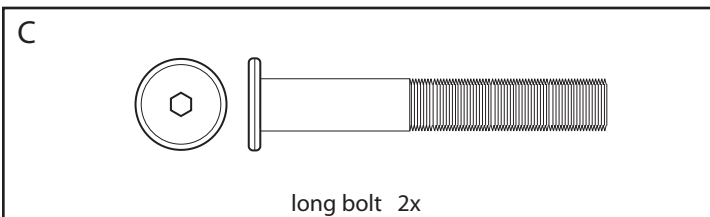
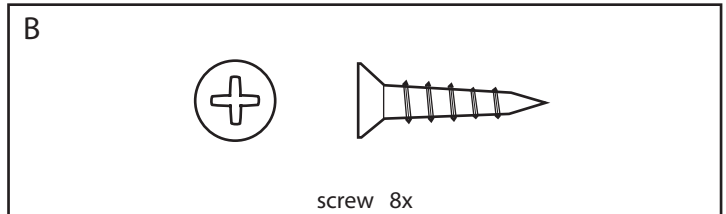
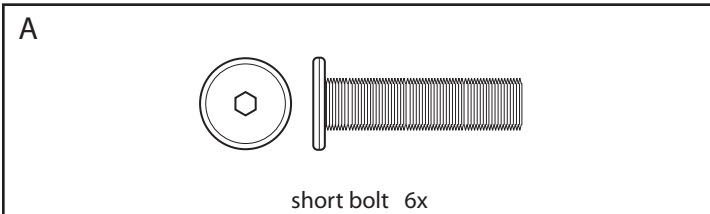
! Tools required:



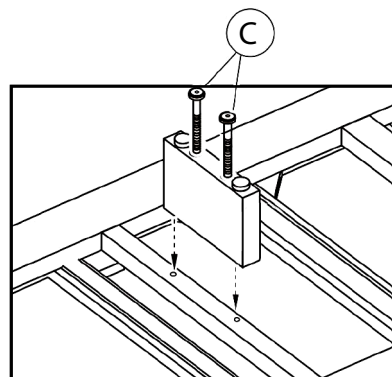
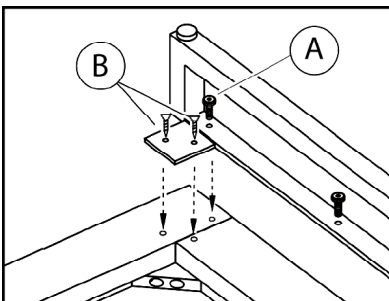
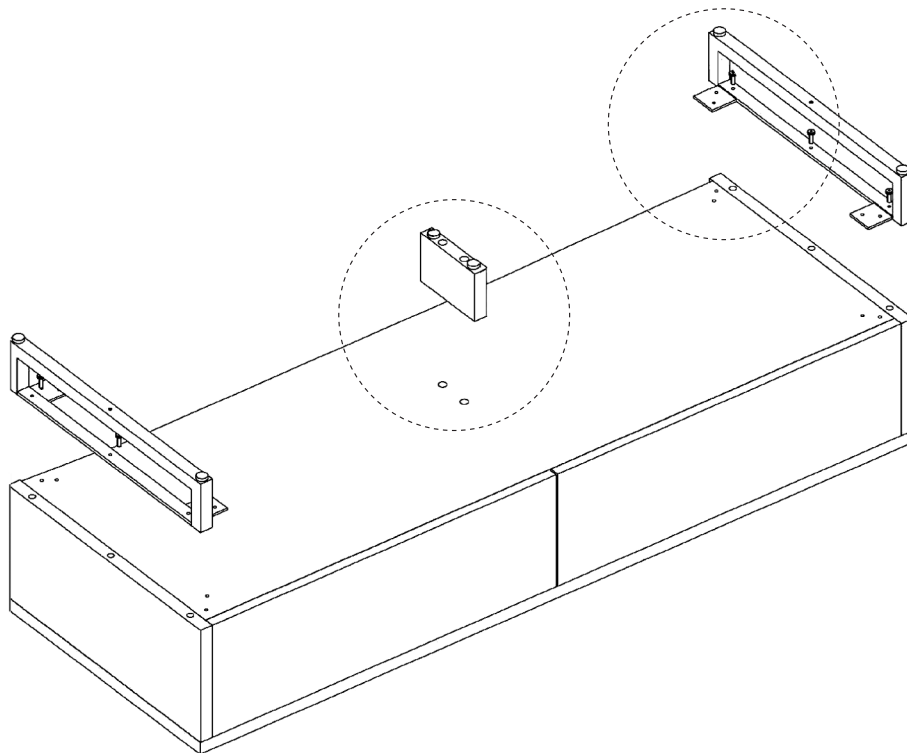
! Do not throw away packaging materials until assembly is complete.

! Assemble this item on a soft surface, such as cardboard or carpet, to protect finish.

! Proper assembly of this item requires 2 people.



1. Before starting assembly, take out all accessories inside large bottom drawer. Then place the chest upside down on a smooth, scratch-free surface.
2. Attached each metal leg by aligning it on the pre-drilled holes underneath the chest . Insert bolts (A) into the leg beam as shown and tighten using the allen key (D). Then insert screws (B) into the plate and tighten using a phillips head screwdriver.
3. Attach center leg by aligning it on the pre-drilled holes at the center rail underneath the chest as shown. Then insert bolts (C) into two holes that go through on the center leg and tighten using the allen key (D).



#### CARE INSTRUCTIONS

Hardware may loosen over time. Periodically check that all connections are tight.

Wipe with a soft, dry cloth. To protect finish, avoid the use of chemicals and household cleaners.