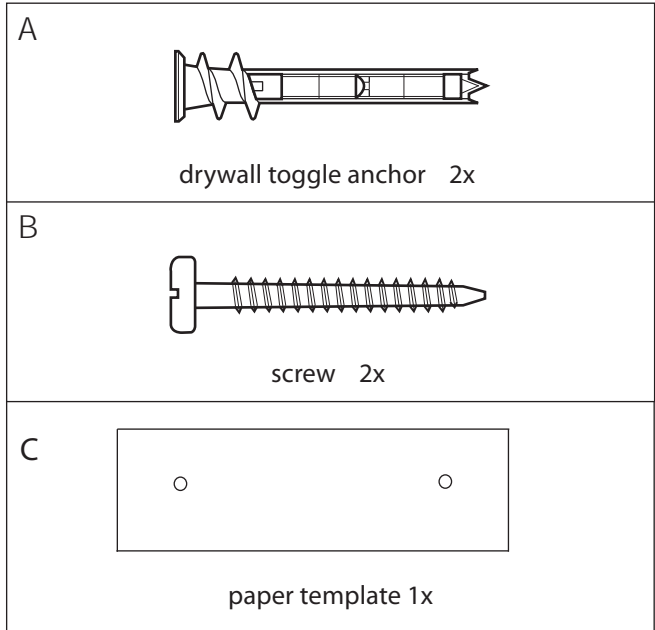
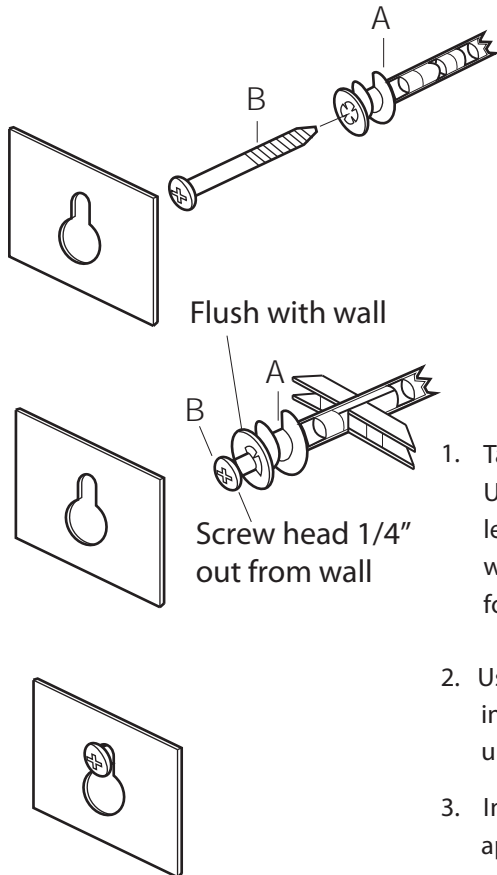


west elm: antler wall shelf

mounting instructions

NOTE:

- For your safety, installation by two people is recommended.
- Maximum load on shelf is 40 lbs
- Wipe with a soft, dry cloth. To protect the finish, avoid the use of all chemicals and household cleaners.



1. Tape the enclosed template to the wall at the desired location. Use a carpenter's level to insure the lines of the template are level. With a tack or nail, poke through the template into the wall at the cross-marks. These holes will be the insertion points for the hardware. Remove the template.
2. Using a Philip's head screwdriver, insert the drywall anchors (A) into the wall at the insertion points. Press and turn clockwise until anchors are flush with the wall.
3. Insert screws (B) into the anchors or at the insertion points, leaving approximately 1/4" between the back of the screw head and the wall.
4. Align keyhole notches over the screw heads.
5. Slide the shelf down until it rests on the screws. Tighten or loosen screws as needed to fit the shelf snugly against the wall.

