

Important Safety Instructions:

- These instructions are provided for your safety. It is very important that they are read carefully and completely before beginning the assembly and installation of this lighting fixture.
- The lighting fixture is meant for indoor use. It must be connected only to 3-wire, single-phase electrical supply systems (provided with Ground wire or equivalent protection system).
- This fixture has been rated for up to one (1) **40-watt maximum TYPE G standard incandescent light bulb** (not included) or one (1) **9-watt compact fluorescent light bulb** (not included) or one (1) **12-watt maximum SBLED light bulb** (one 5-watt SBLED bulb included). To avoid the risk of fire, do not exceed the recommended wattage.
- This lamp is meant for indoor use, **DRY LOCATIONS ONLY**.
- **Save these instructions.**

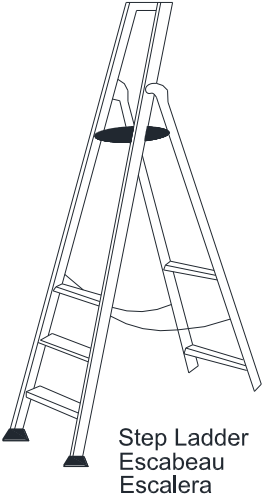
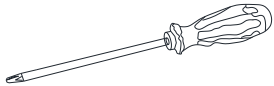
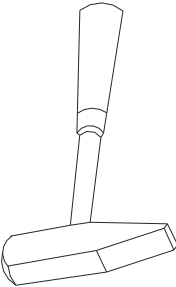
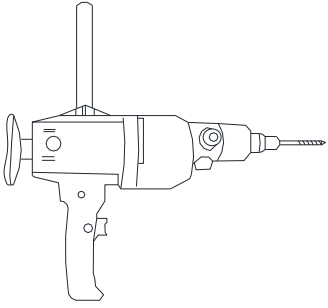
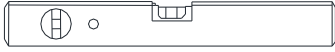
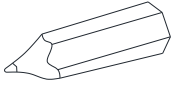
WARNING:

- **To reduce the risk of fire, electrical shock or personal injury, always turn off and unplug the light fixture and allow it to cool prior to replacing the light bulb.**
- **Do not touch bulb when fixture is turned on. Do not look directly at lit bulb.**
- **Keep flammable materials away from lit bulb.**
- **Maximum total load weight for the shelf is 20lbs. Do not overload.**

Pre-assembly:

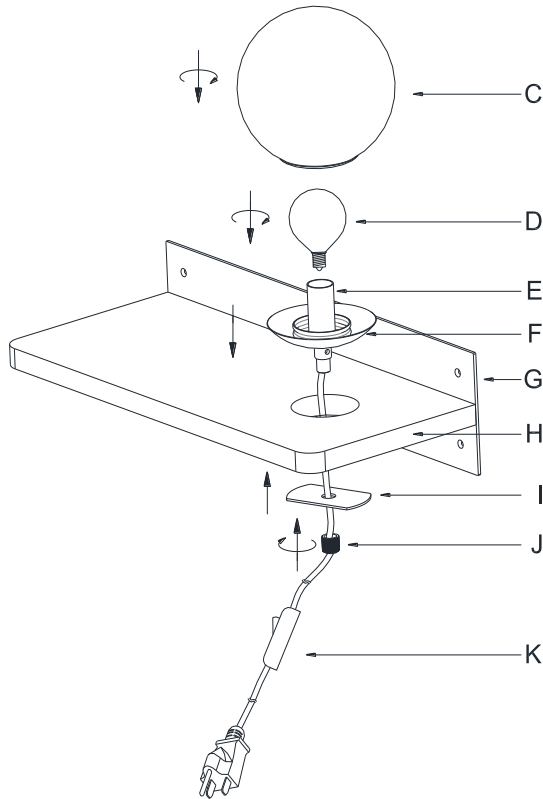
- Remove all parts and hardware from box along with any plastic protective packaging.
- Do not discard any contents until after assembly is complete to avoid accidentally discarding small parts or hardware.
- For your safety and convenience, assembly by two people is recommended.

Tools Required (not included):

 <p>Step Ladder Escabeau Escalera</p>	 <p>Phillips Head, Screwdrivers Tournevis a tete Phillips Destornilladores Cabeza Phillips</p>	 <p>Hammer marteau martillo</p>	 <p>Drill and Drill Bit Foret et Perceuse ele ctri que Taladro y Mecha</p>
	 <p>Level Niveau Nivel</p>		
	 <p>Pencil Crayon lapiz</p>		

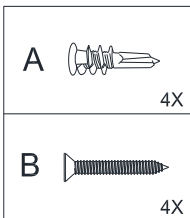
Parts Included:

- (C) Glass Shade (1)
- (D) Light Bulb (1)
- (E) Socket (1)
- (F) Lamp Cup (1)
- (G) Mounting Plate (1)
- (H) Wood Shelf (1)
- (I) Flat Plate (1)
- (J) Knurled Nut (1)
- (K) Switch (1)



Hardware Enclosed

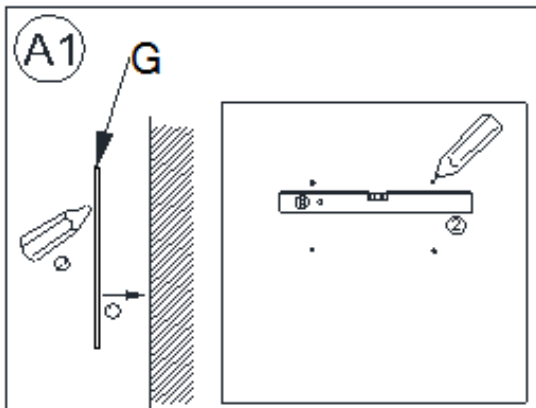
- (A) Wall Anchors (4)
- (B) Wall Screws (4)



To assemble:

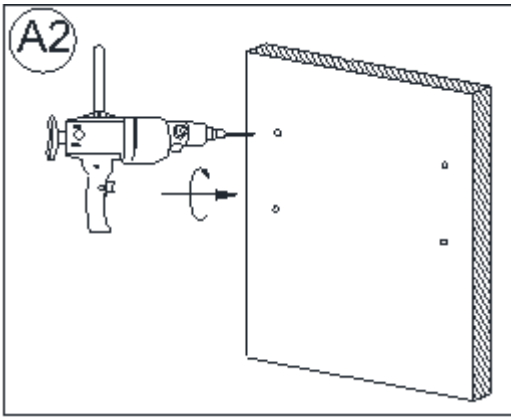
1. This mounting hardware is meant for dry wall/stud mounting only. If walls are concrete, brick or plaster, please consult your local hardware store for assistance. For safety and ease of mounting, installation is recommended using two people.
2. Stud mounting is always best, so try to position the Mounting Plate (G) over the studs. Use a stud finder to locate a stud in desired wall location. If Mounting Plate (G) aligns with stud, only use provided Wall Screws (B). If there is no stud, the Wall Anchors (A) and Wall Screws (B) are both required.
3. **For Drywall Mounting:** Assemble and install the Wall Anchors (A) and Wall Screws (B) using the steps as outlined in Section **“FOR DRYWALL MOUNTING”** below.
4. **For Mounting to Joist:** Assemble and install the Wall Screws (B) using the steps as outlined in Section **“FOR MOUNTING TO JOIST”** below.
5. After properly assemble the Wall Anchors (A) and Wall Screws (B) onto the wall, install the lighting fixture onto the shelf using the steps as outlined in Section **“Install the Light Fixture onto the Shelf”**.

For drywall mounting:

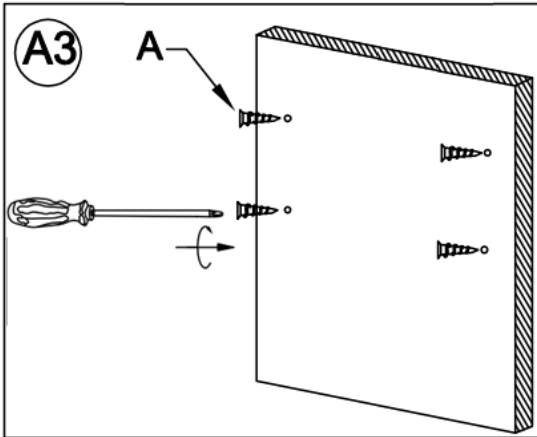


1. Position the Shelf with Mounting Plate (G) against the wall at the desired mounting location.
2. Mark the mounting location of the 4 holes of Mounting Plate (G) onto the wall using a pencil. Use a carpenter's level to ensure a level installation.

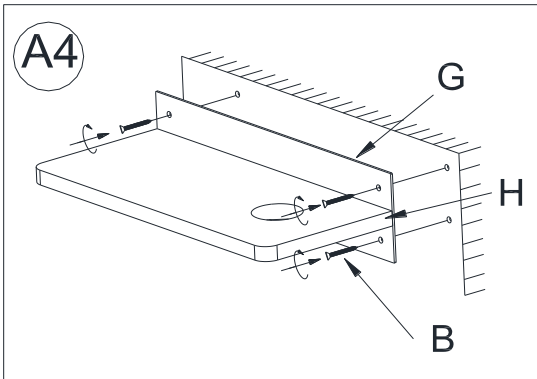
MAKE SURE THAT A POWER OUTLET IS REACHABLE BY THE CORD without straining the cord.



Pre-drill pilot holes at the marker locations. This will make installing the Wall Anchors (A) into the wall easier.

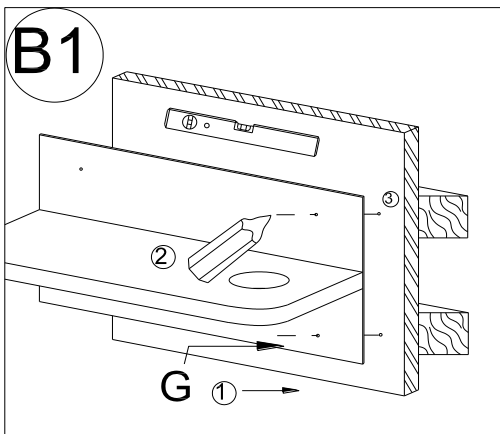


Use a Phillips Screwdriver to insert the Wall Anchors (A) at the marked locations. Do not “push” or pound the Wall Anchors (A) into the wall, it is designed to bore into the wall like a drill bit. Slowly turn the Wall Anchors (A) in a clockwise while applying pressure until the flange of the anchor just touches the wall.



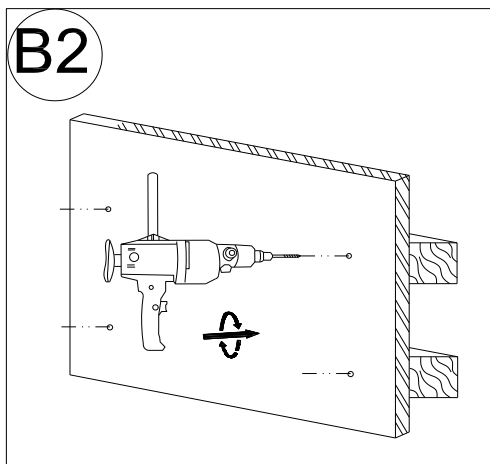
1. Attach the Mounting Plate (G) onto the wall aligning the 4 holes on Mounting Plate (G) with the 4 installed Wall Anchors(A).
2. Insert the Wall Screws (B) and tighten each to secure Mounting Plate (G) firmly onto the wall.

For mounting to joist:

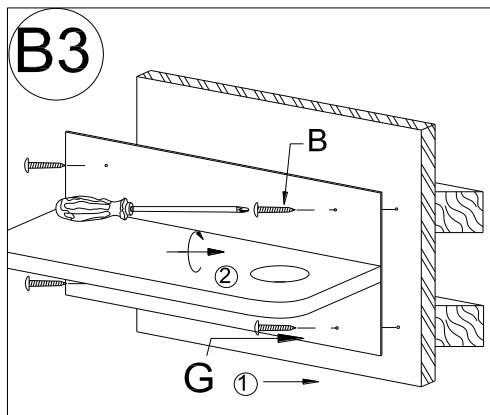


1. Position the Shelf with Mounting Plate (G) against the wall at the desired mounting location.
2. Mark the mounting location of the 4 holes of Mounting Plate (G) onto the wall using a pencil. Use a carpenter's level to ensure a level installation.

MAKE SURE THAT A POWER OUTLET IS REACHABLE BY THE CORD without straining the cord.

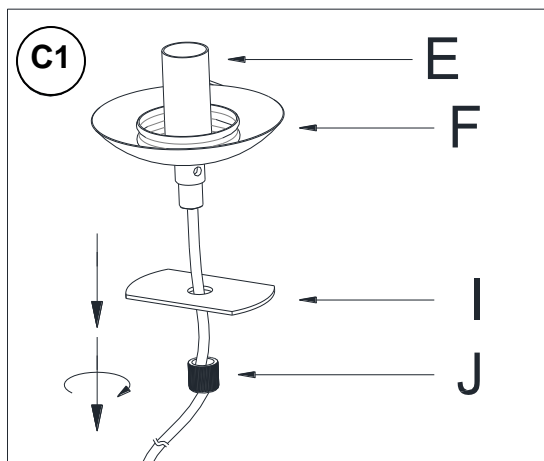


Pre-drill pilot holes at the marker locations. This will make installing the Wall Screws (B) into the wall easier.

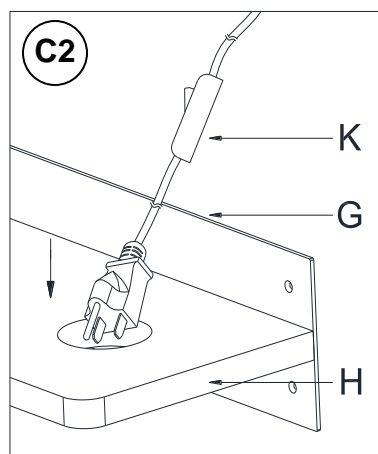


1. Attach the Mounting Plate (G) onto the wall aligning the 4 holes on Mounting Plate (G) with the 4 marked locations.
2. Insert the Mounting Screws (B) and tighten each to secure the Mounting Plate (G) firmly onto the wall by using a screwdriver.

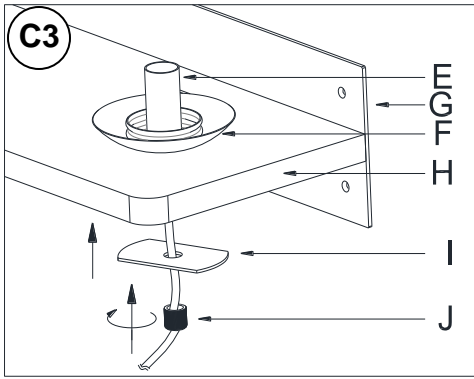
Install the Light Fixture onto the Wood shelf



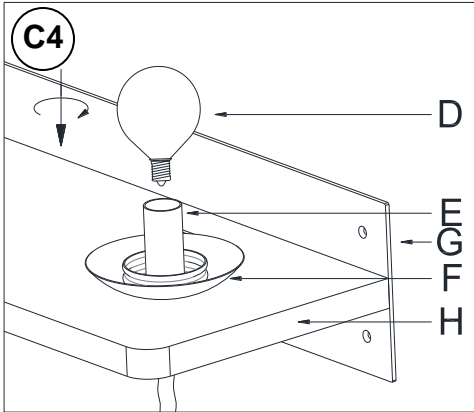
Separate the Flat Plate (I) from the Lamp Cup (F) by **unscrewing the Knurled Nut (J)**.



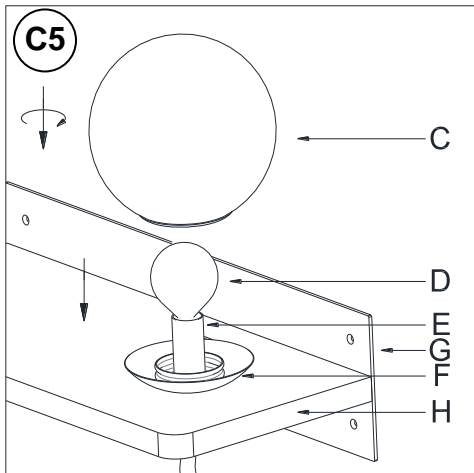
Insert the Plug and Switch (K) through the hole of Wood Shelf (H), and then insert the **Knurled Nut (J)** & Flat Plate(I) through the hole in order.



Sit Lamp Cup (F) on the Shelf, rise Flat Plate (I) onto the bottom of the shelf and screw Fixed Nut (J) onto the threaded tube under the Lamp Cup (F).



Insert the specified light bulb into the Socket (E). DO NOT EXCEED THE SPECIFIED WATTAGE.



Screw Glass Shade (C) onto Lamp Cup (F).
Insert the plug into a proper electrical outlet and turn on the switch to test the fixture.

Care Instructions:

- Wipe clean with a soft, dry cloth or static duster.
- Always avoid the use of harsh chemicals or abrasive cleaners as they may cause damage to the fixture's finishing.

Thank you for your purchase
Stores | catalog | www.westelm.com
USA 888-922-4119