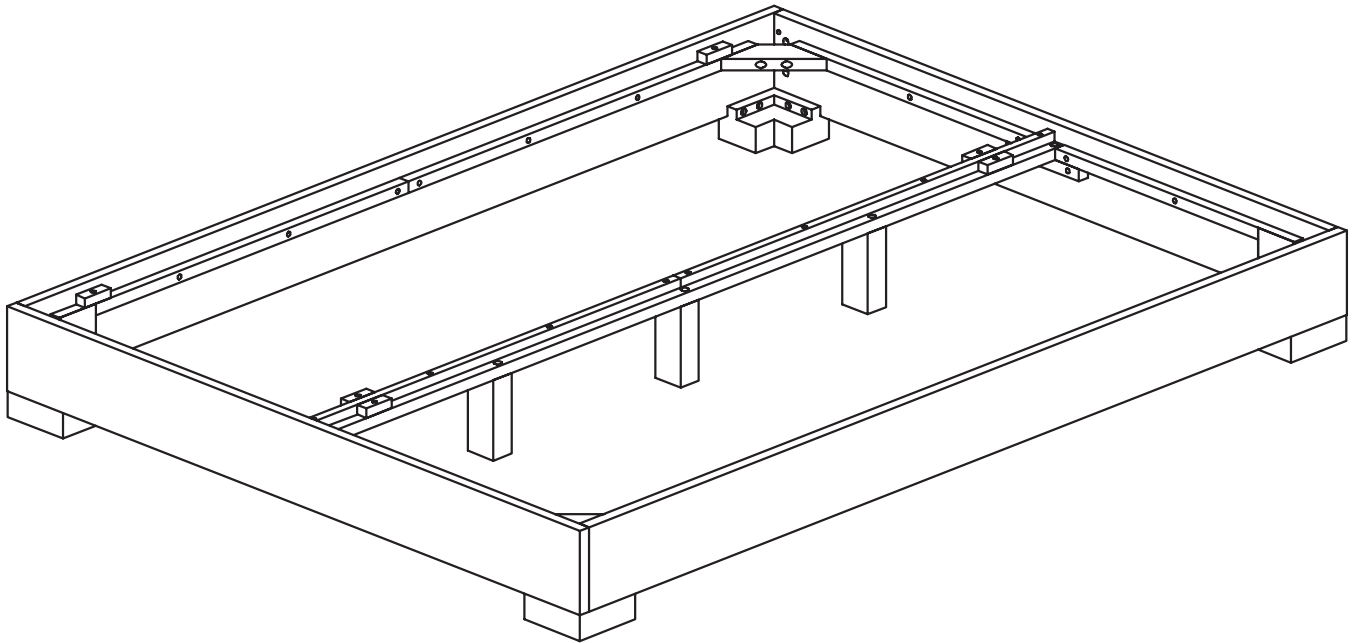


west elm

nailhead upholstered bed frame

assembly instructions



! Tools required:

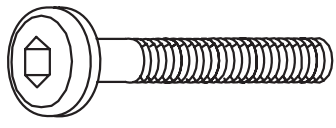
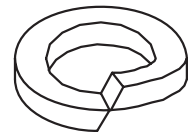
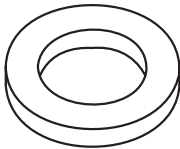
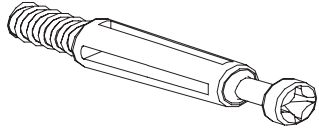
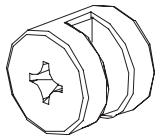
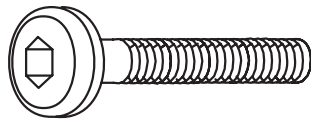



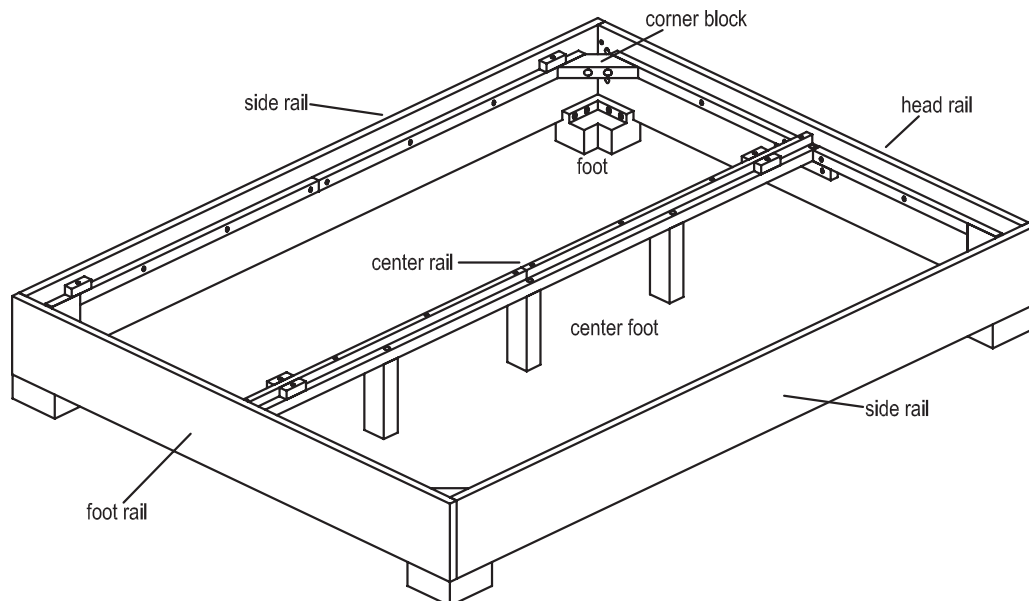
! Do not throw away packaging materials until assembly is complete.

! Assemble this item on a soft surface, such as cardboard or carpet, to protect finish.

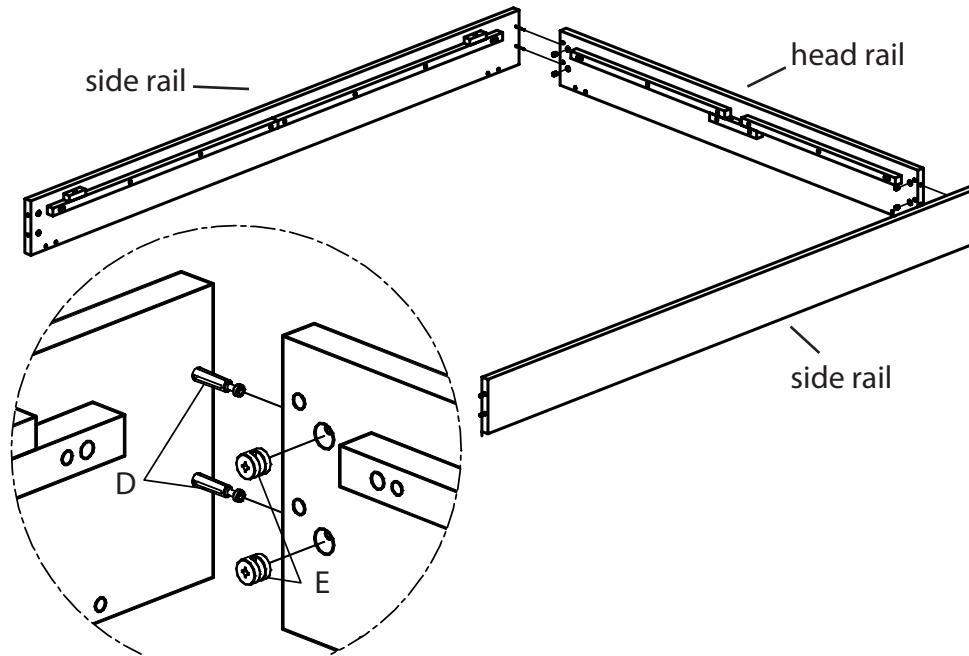
! Proper assembly of this item requires 2 people.

Hardware

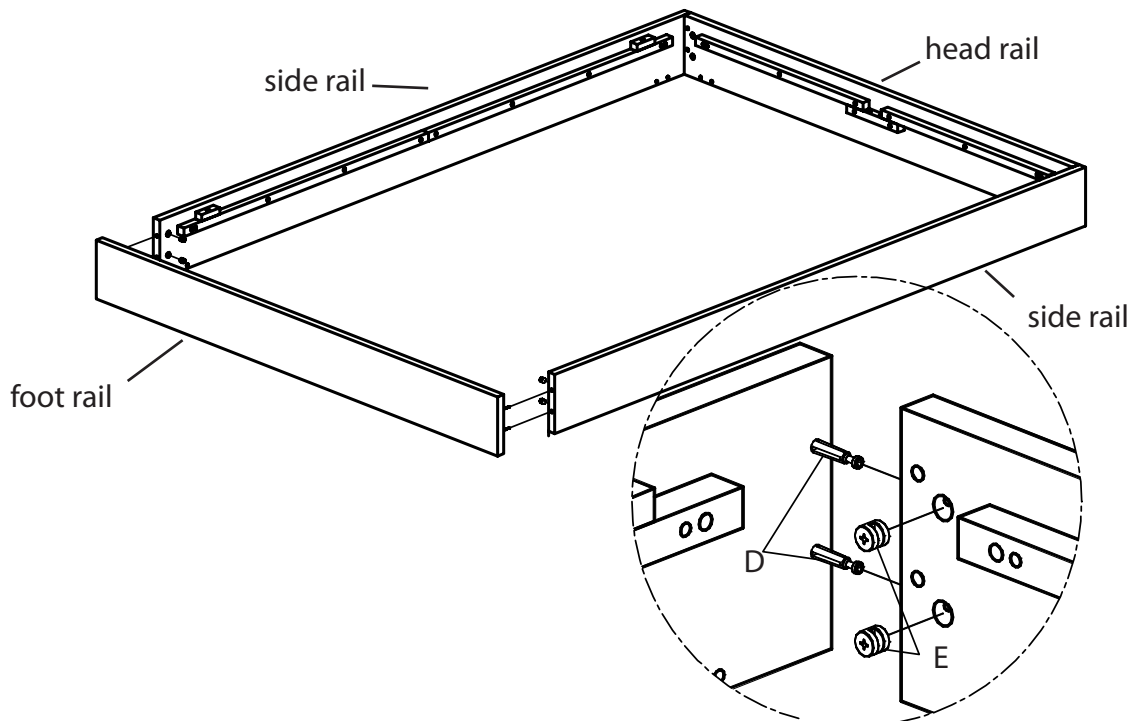
<p>A</p>  <p>bolt 6mm x 40mm 24x</p>	<p>B</p>  <p>spring washer x24</p>
<p>C</p>  <p>flat washer 24x</p>	<p>D</p>  <p>cam bolt 8x</p>
<p>E</p>  <p>cam lock 8x</p>	<p>F</p>  <p>bolt 8mm x 30mm 10x</p>
<p>G</p>  <p>allen key 4mm 1x</p>	



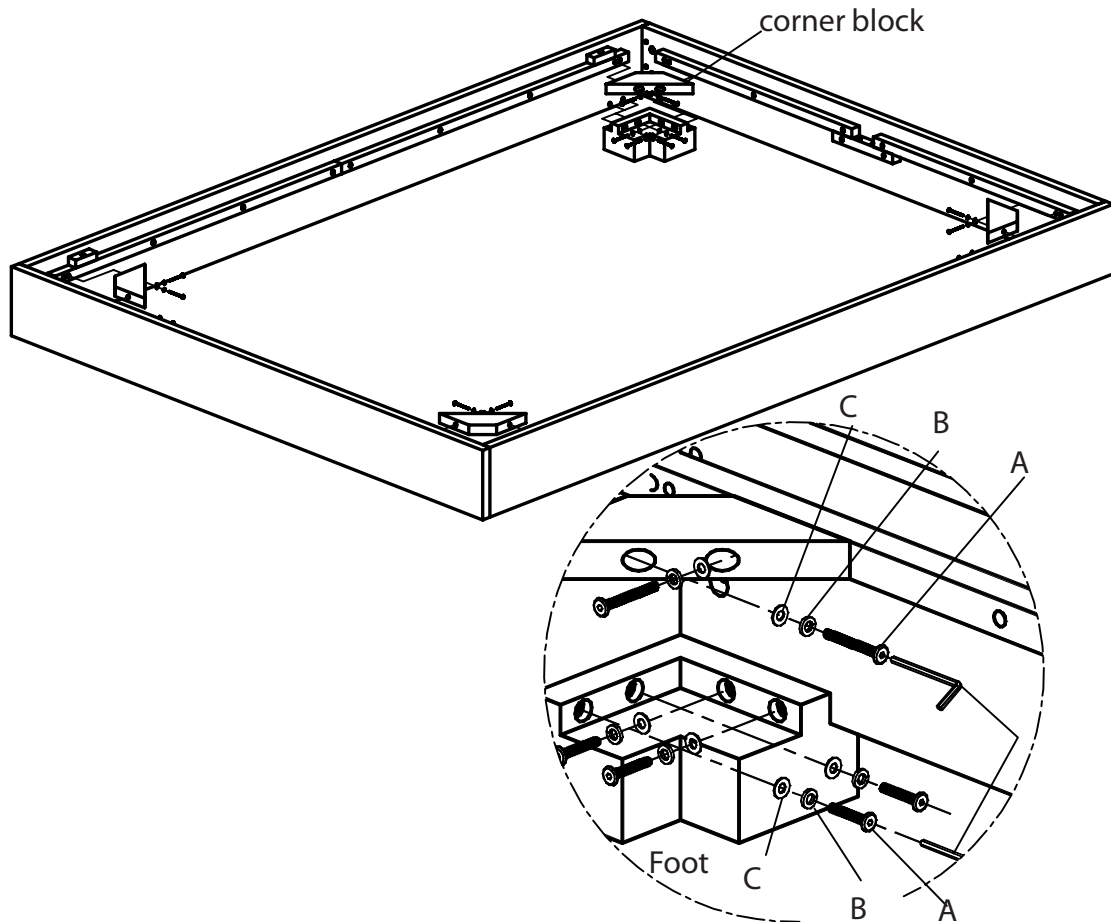
1. Screw in cam bolts (D) into holes in side rails as shown in drawing. Insert cam locks (E) into head rail as shown.



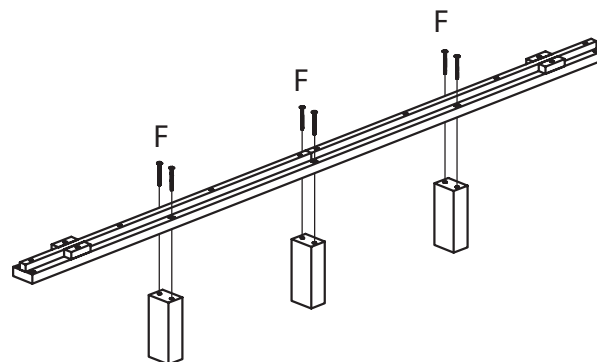
2. Screw in cam bolts (D) into holes in foot rail as shown in drawing. Insert cam locks (E) into side rails as shown. Tighten cam lock with screwdriver.



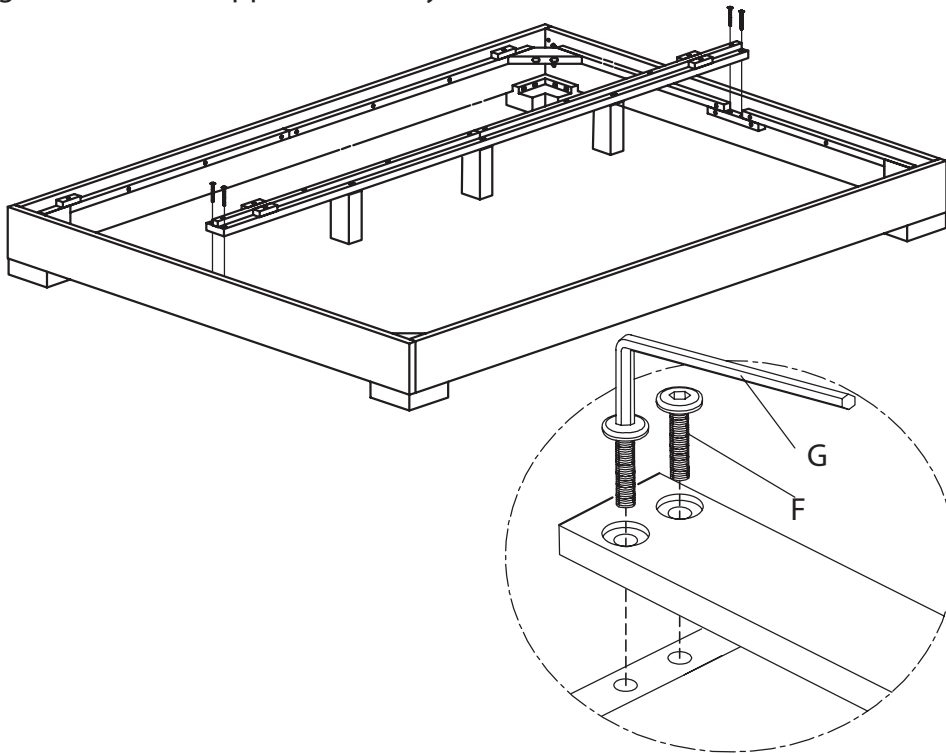
3. Install feet in each corner. Insert 4 bolts (A) 6mm x 40mm through spring washers (B) , flat washers (C) and into top of foot. Tighten with allen key (G). Repeat on all 4 corners.
4. Install corner blocks in each corner. Insert 2 bolts (A) 6mm x 40mm through spring washers (B) , flat washers (C) and into corner block. Tighten with allen key (G). Repeat on all 4 corners.



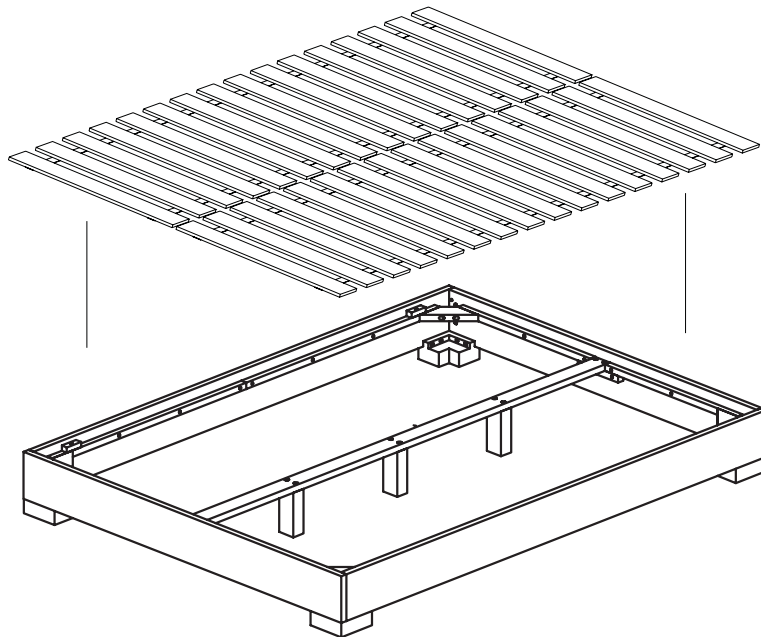
5. Align the holes in the top of the feet with the holes in the center rail. Insert bolts 8mm x 30 mm (F) and tighten with supplied allen key (G).



6. Align center rail into the center of the head and foot rails as shown. Install 2 bolts 8mm x 30 mm (F) in each end. Tighten with the supplied allen key (G)



7. Lay in bed slats. (full, queen, king, cal king have 2 sets/ twin has 1 set)



CARE INSTRUCTIONS

Hardware may loosen overtime. Periodically check that all connections are tight.

Wipe with a soft, dry cloth. To protect finish, avoid the use of chemicals and household cleaners.

Upholstery: Spot clean only.