

CALDAS TABLE LAMP Assembly Instructions

Important Safety Instructions:

- These instructions are provided for your safety. It is very important that they are read carefully and completely before beginning the assembly and installation of this lighting fixture.
- This portable luminaire has a polarized plug (one blade is wider than the other) as a safety feature to reduce the risk of electric shock. This plug will fit in a polarized outlet only one way. If the plug does not fit fully in the outlet, reverse the plug. If it still does not fit, contact a qualified electrician. Never use with an extension cord unless plug can be fully inserted. Do not alter the plug. Do not attempt to defeat this safety feature.
- This fixture has been rated for up to one (1) **75-watt maximum TYPE A standard incandescent light bulb** (not included) or one (1) **13-watt compact fluorescent light bulb** (not included) or one (1) **9-watt SBLED LAMP** (included). To avoid the risk of fire, do not exceed the recommended lamp wattage.
- This lamp is meant for indoor use.
- **Save these instructions.**

WARNING:

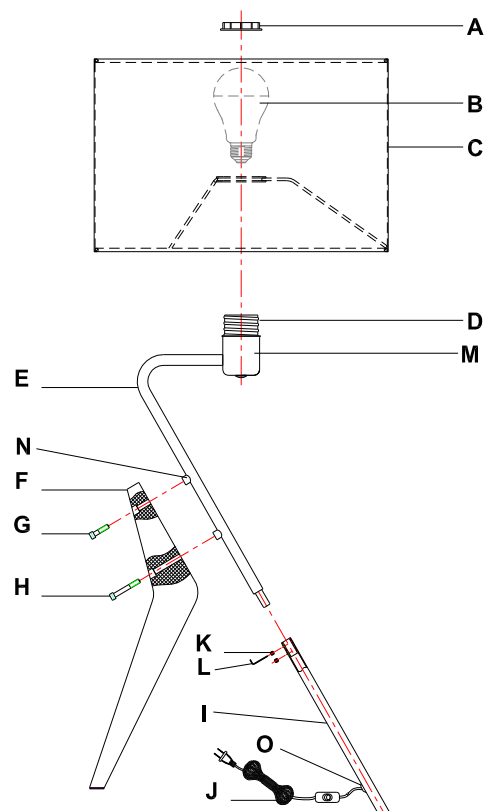
- **To reduce the risk of fire, electrical shock or personal injury, always turn off and unplug the light fixture and allow it to cool prior to replacing the light bulb.**
- **Do not touch bulb when fixture is turned on. Do not look directly at lit bulb.**
- **Keep flammable materials away from lit bulb.**

Pre-assembly:

- Remove all parts and hardware from box along with any plastic protective packaging.
- Do not discard any contents until after assembly is complete to avoid accidentally discarding small parts or hardware.

Parts Included:

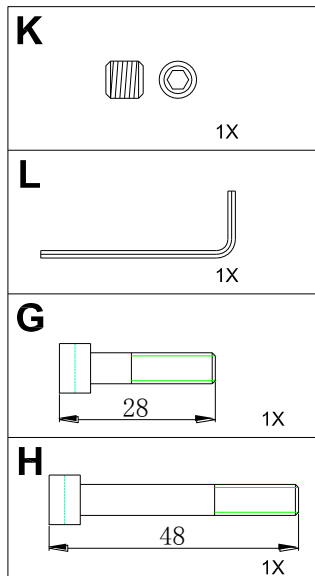
- (A) Socket Ring (1)
- (B) Bulb (1)
- (C) Shade (1)
- (D) Socket (1)
- (E) Top Curved Tube (1)
- (F) Wood Part (1)
- (I) Lower Tube (1)
- (J) Cable (1)
- (K) Set screws (2)
- (M) Socket Cup(1)
- (N)The Short Screw Tubes(2)
- (O) The Exit Hole(1)



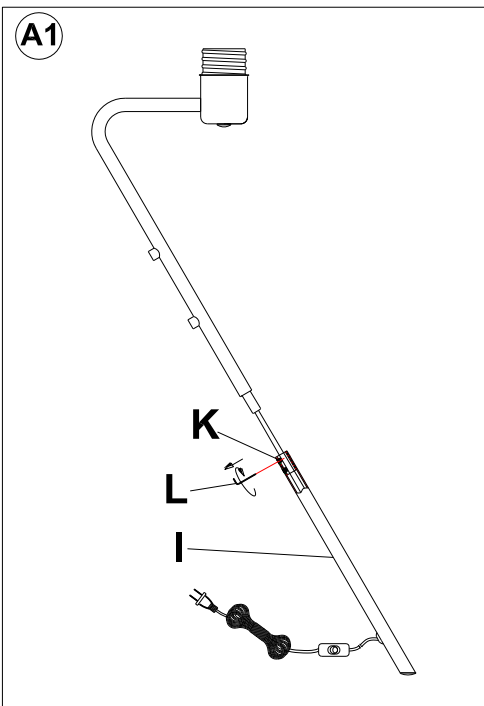
CALDAS TABLE LAMP Assembly Instructions

Hardware Enclosed:

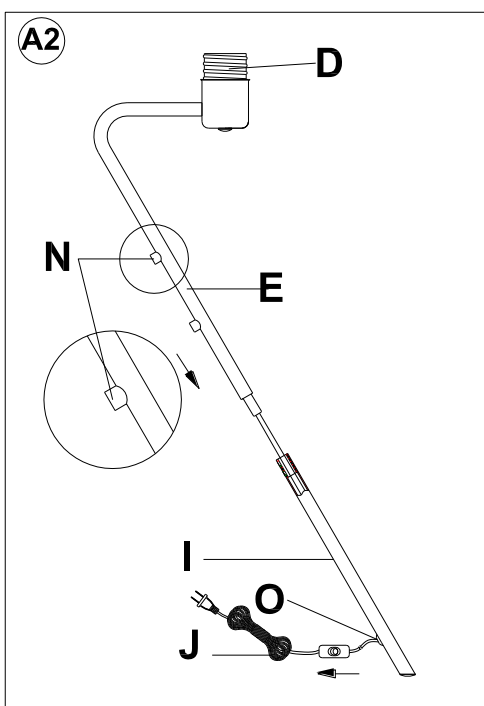
- (K) Set screws (1) (extra one)
- (L) Allen Key (1)
- (G) Short Allen Screw (1)
- (H) Long Allen Screw (1)



To Assemble:

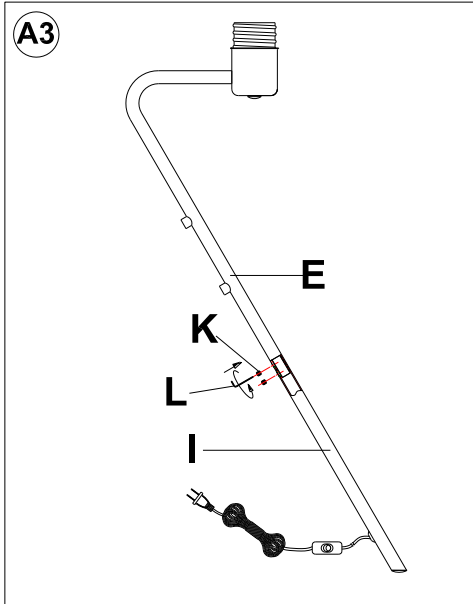


1. Loosen the Set Screws (K) from the Lower Tube (I) using the Allen Key (L) by turning Set Screws (K) in a counter-clockwise

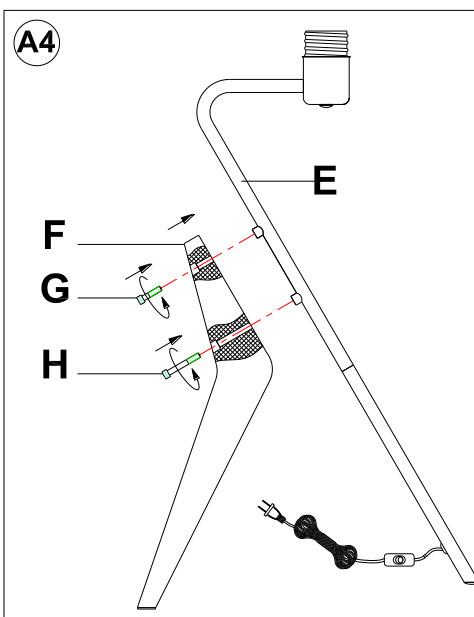


2. Insert the Top Curved Tube (E) into the Lower Tube (I), align short screw tubes (N) with Exit Hole (O) in the same line.

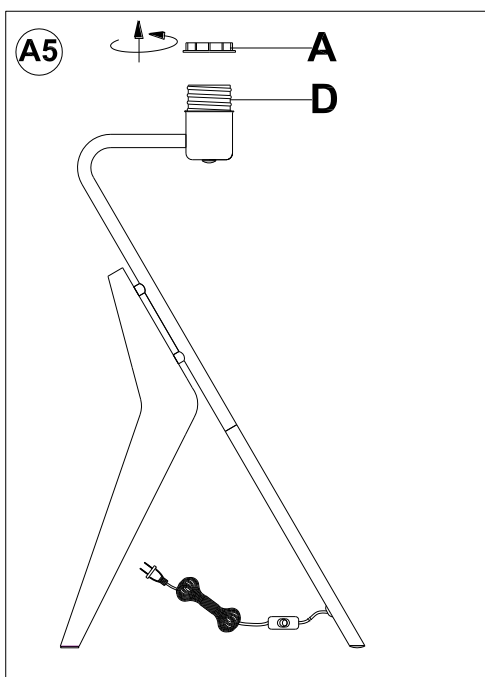
CALDAS TABLE LAMP Assembly Instructions



3. Secure the Set Screws (k) onto the Upper Curved Tube (E) using the Allen Key (L) until tight.

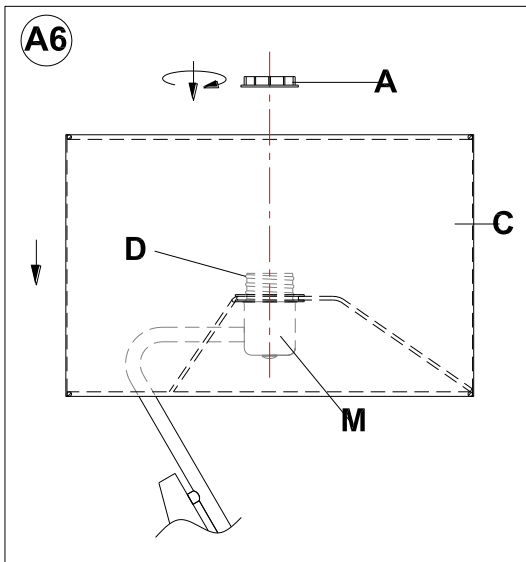


4. Insert the Short Allen Screw (G) and the long Allen Screw (H) into holes of on the Wood Part (F) and Secure the Short Allen Screw (G) and the long Allen Screw (H) on the Upper Curved Tube (E) using a Flat Blade driver until tight.

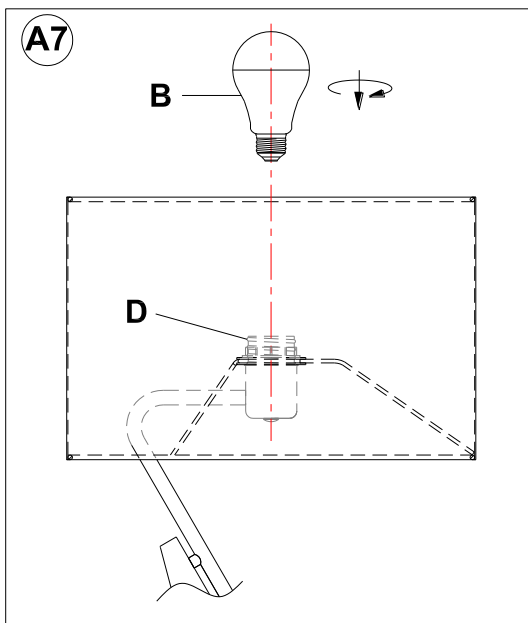


5. Unscrew Socket Ring (A) from Socket (D) by turning counter-clockwise.

CALDAS TABLE LAMP Assembly Instructions



6. Place the Shade (C) onto the Socket (D), Secure the Shade (C) by tightening the Socket Ring (A) in a clockwise direction until tighten.



7. Insert the specified light bulb (B) into the Socket (D). DO NOT EXCEED THE SPECIFIED WATTAGE.

Care instructions:

- Wipe clean with a soft, dry cloth or static duster.
- Always avoid the use of harsh chemicals or abrasive cleaners as they may cause damage to the fixture's finish.

Thank you for your purchase
Stores | catalog | www.westelm.com
USA 888-922-4119