

Duet 3 Light Chandelier Assembly Instructions

CAUTION:

- **BEFORE INSTALLING FIXTURE, MAKE SURE THE POWER TO THE CIRCUIT IS TURNED OFF AT THE MAIN FUSE BOX / CIRCUIT BREAKER UTILITY BOX.**
- Handle with care! This product contains glass material which is fragile.

Important Safety Instructions:

- These instructions are provided for your safety. It is very important that they are read carefully and completely before beginning the assembly and installation of this lighting fixture.
- We strongly recommend that a professional electrician install all direct wire fixtures.
- **THIS PRODUCT MUST BE INSTALLED IN ACCORDANCE WITH THE APPLICABLE INSTALLATION CODES BY A PERSON FAMILIAR WITH THE CONSTRUCTION AND OPERATION OF THE PRODUCT AND THE HAZARDS INVOLVED.**
- The lighting fixture is meant for indoor use. It must be connected only to 3-wire, single-phase electrical supply systems (provided with Ground wire or equivalent protection system).
- For your safety, it is strongly recommended that two people install the lighting fixture.
- This fixture has been rated for up to three (3) **60-watt maximum TYPE A standard incandescent light bulb** (not included) or three (3) **13-watt compact fluorescent light bulb** (not included). To avoid the risk of fire, do not exceed the recommended lamp wattage.
- The lighting fixture is meant for indoor use, **DRY LOCATIONS ONLY.**
- **Save these instructions.**

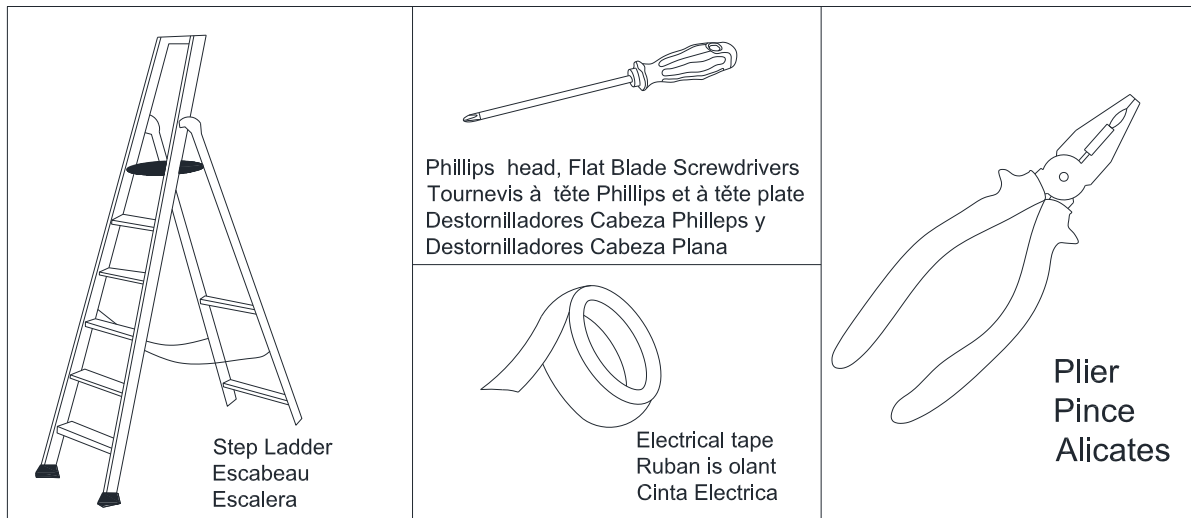
WARNING:

- **To reduce the risk of fire, electrical shock or personal injury, always turn off light fixture and allow it to cool prior to replacing light bulb.**
- **Do not touch bulb when fixture is turned on. Do not look directly at lit bulb.**
- **Keep flammable materials away from lit bulb.**

Pre-assembly:

- Remove all parts and hardware from box along with any plastic protective packaging.
- Do not discard any contents until after assembly is complete to avoid accidentally discarding small parts or hardware.
- For your safety and convenience, assembly by two people is recommended.

TOOLS REQUIRED (not included):

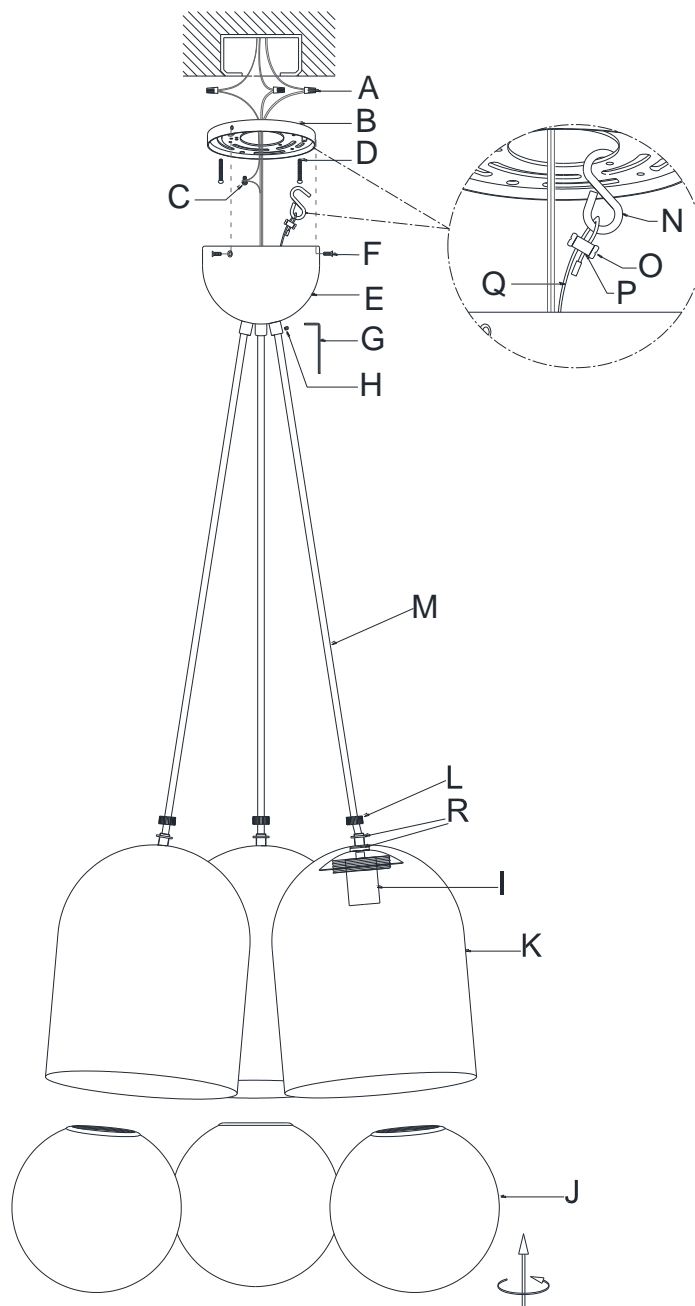
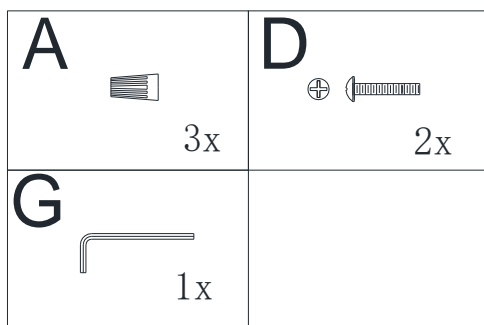


Parts Included:

- (B) Mounting Plate (1)
- (C) Green Ground Screw (1)
- (E) Canopy (1)
- (F) Canopy Screws (3)
- (H) Set Screws (3)
- (I) Sockets (3)
- (J) Internal Glass Shades (3)
- (K) External Glass Shades (3)
- (L) Knurled Nuts (3)
- (M) Power Cords (3)
- (N) S Hook (1)
- (O) Cable Screw (2)
- (P) Binding Collar (1)
- (Q) Steel Cable (1)
- (R) Rubber Washers (6)

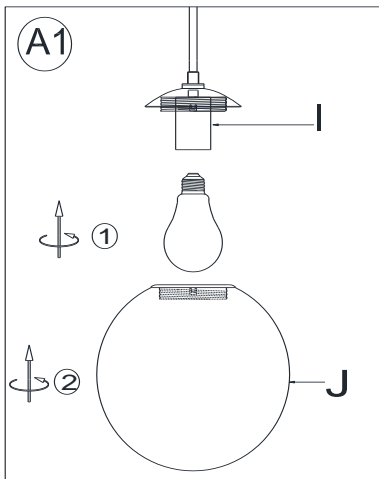
Hardware Enclosed:

- (A) Plastic Wire Nut Connectors (3)
- (D) Mounting Screws (2)
- (G) Allen Wrench (1)

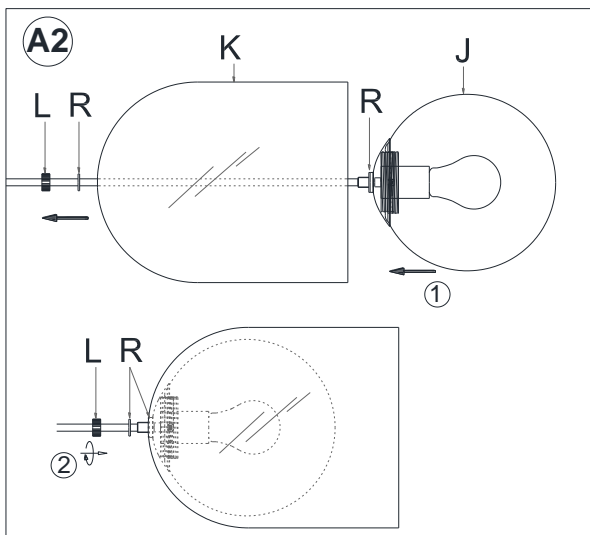


Assembly & Installation Instructions:

- **SHUT OFF THE MAIN ELECTRICAL SUPPLY FROM THE MAIN FUSE BOX/CIRCUIT BREAKER.**
- Carefully unpack all fixture parts and hardware and lay them on a clear workspace. **Do not remove the outer protection package form the External Glass Shades (K) until the final installation is completed.**
- It's recommended to do the shade assemblies on a felted table and please handle carefully.

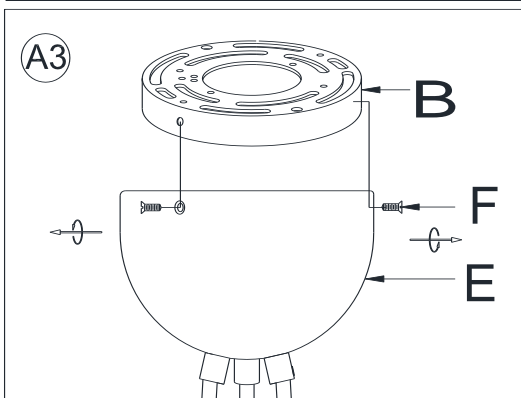


- 1.1 Insert the specified light bulb into each Socket (I). **DO NOT EXCEED THE SPECIFIED WATTAGE.**
- 1.2 Carefully place the Internal Glass Shade (J) over the light bulb and Socket (I) and rotating clockwise until it's secured on the Socket (I). Hand-tighten only.

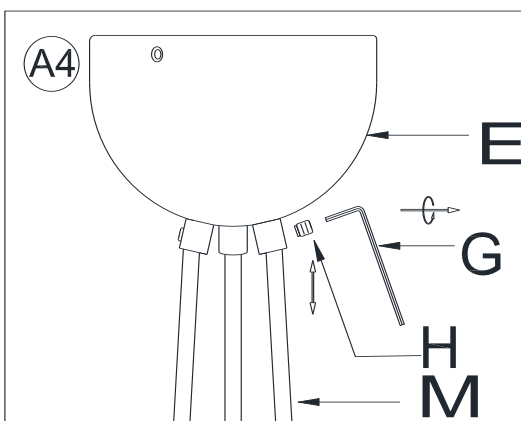


- 2.1 Lay the External Glass Shade (K) as shown. Carefully & slowly place the Internal Glass Shade (J) into the External Glass Shade (K) while simultaneously pulling the power cord out from the other end.
- 2.2 Hold the Internal Glass Shade (J) gently against the inner wall of the External Glass Shade (K) and secure using the Knurled Nut (L). Make sure that the Rubber Washers (R) are positioned on both sides of the shade wall. Do not over tighten the knurled nut.

Repeat above steps for the other 2 shade assemblies.

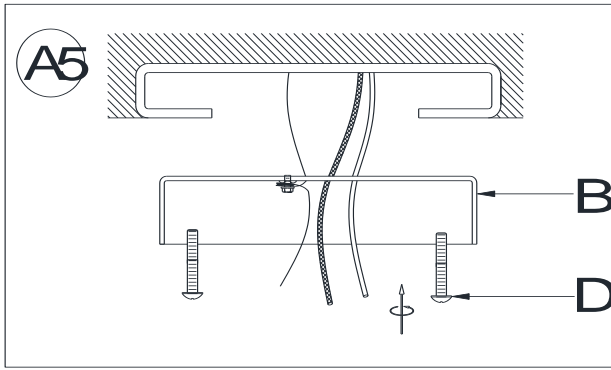


3. Separate the Mounting Plate (B) from the Canopy (E) by removing the 3 Canopy Screws (F). Do not discard the Canopy Screws (F) as these will be used later.

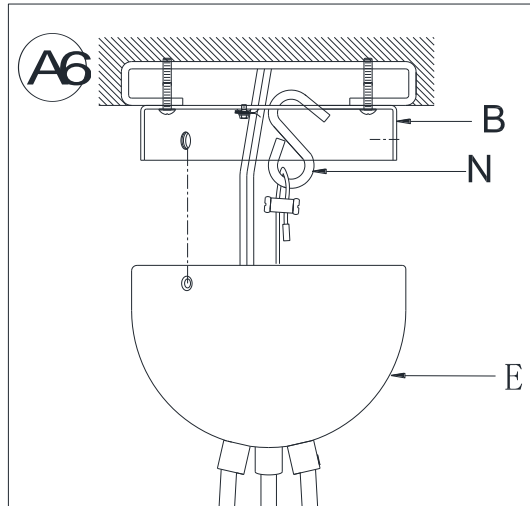


This step is only required if you need to adjust the suspension length of the light fixture.

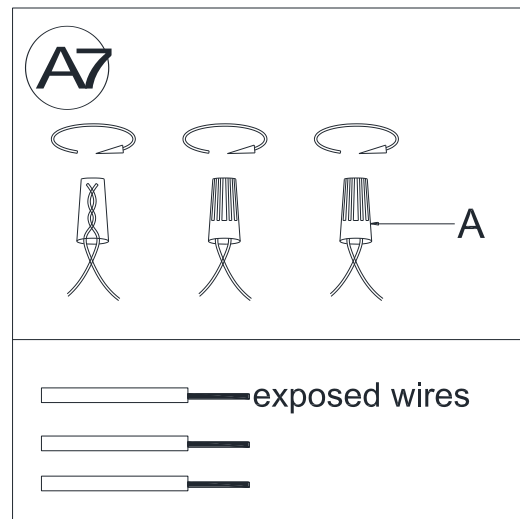
4. Loosen the Set Screws (H) with an Allen Wrench (G) turning anticlockwise. Adjust the Power Cords (M) upwards or downwards until a new desired suspension length is determined. Secure the Power Cords (M) in place by tightening the Set Screws (H). Do not over tighten the screw, just making sure the Power Cords (M) will not slip downwards with the fixture body.



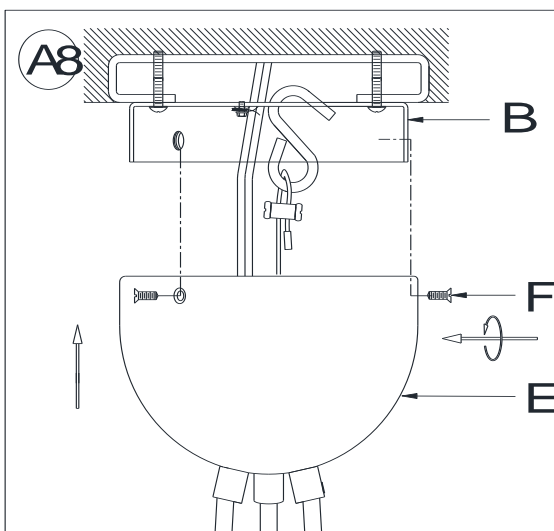
5. Gently pull existing wire down from the ceiling J-box and insert the wires through the center opening of Mounting Plate (B). Attach Mounting Plate (B) to the ceiling outlet box, aligning the slots of the Mounting Plate (B) with the two threaded holes located on the J-Box. Insert and tighten 2 Mounting Screws (D) with a screwdriver.



6. With the help of another person, raise up the fixture and hang the S Hook (N) on the slot of Mounting Plate (B).



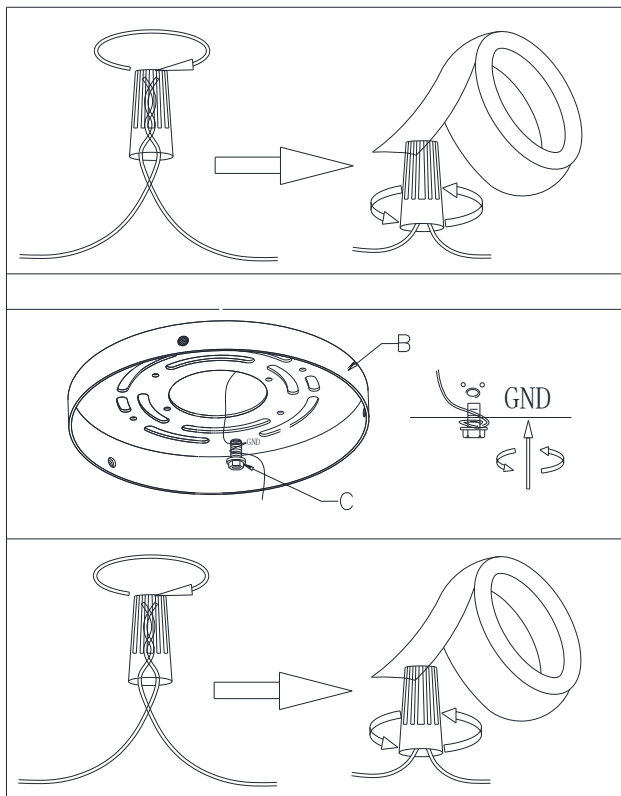
7. Please read the section **“To Make the Wire Connections”** Below.



8. Raise Canopy (E) up over the Mounting Plate (B), align the 3 holes on the Mounting Plate (B) with the 3 holes on the side of the Canopy (E). Insert 3 Canopy Screws (F) and tighten to secure the Canopy (E) with a screwdriver.

To Make the Wire Connections:

1. Gently pull existing wire down from the ceiling junction box and allow wires to hang. The HOT or LIVE wire is usually black. The NEUTRAL wire is usually white. Check to see if there is a ground wire that is usually green or green with a yellow stripe or exposed copper metal wire. If need, use a pair of wire strippers to remove about 1/2 inch of insulation from each wire.
2. Carefully inspect the fixture wires. The NEUTRAL FIXTURE WIRE is White. The HOT FIXTURE WIRE is Black. And the GROUND WIRE is Green and BARE COPPER WIRE.. If you have any doubt and cannot identify the power-supply wires with confidence, then we recommend that you ask an electrician and that you not continue with the installation.
3. With the help of another person to hold the weight of the fixture, attach the fixture wires to the junction box wires as shown in the illustrations.



Connect the GROUND FIXTURE WIRE to the GROUND J-BOX WIRE using the Plastic Wire Nut Connector (A) and wrap the connection with electrical tape. Be sure that no wire strands are exposed.

If the junction box DOES NOT have a GROUND WIRE, wrap the fixture's bare ground wire around the Green Ground Screw (C) and insert the screw into the Mounting Plate (B), marked as "GND", and tighten screw to secure the wire.

Connect the NEUTRAL FIXTURE WIRE to the NEUTRAL J-BOX WIRE first and then connect the HOT FIXTURE WIRE to the HOT J-BOX WIRE using the Plastic Wire Nut Connectors (A). Wrap these connections with electrical tape. Be sure that no wire strands are exposed.

**NOTE: IT IS IMPERATIVE THAT THE JUNCTION BOX IN YOUR HOME BE PROPERLY GROUNDED!
DO NOT REVERSE THE HOT AND NEUTRAL CONNECTIONS OR SAFETY WILL BE COMPROMISED.**

4. Check the wiring connections and if all looks good, gently tuck the wire connections neatly into the ceiling junction box.

Care Instructions:

- Wipe clean with a soft, dry cloth or static duster.
- Always avoid the use of harsh chemicals or abrasive cleaners as they may cause damage to the fixture's finishing.

Thank you for your purchase
Stores | catalog | www.westelm.com
USA 888-922-4119