

Pre-assembly:

- Remove all parts and hardware from carton box along with any plastic protective packaging.
- Do not discard any contents until after assembly / installation is completed to avoid accidentally discarding small parts or hardware.
- For safety and ease of mounting, two-people working together is recommended.
- Please read all instructions before beginning assembly and save these instructions for future use.

Tools Required for Mounting:

Phillips Screwdriver / Level / Pencil / Tape Measure / Stud-Finder

The hardware included with this item is meant for drywall or stud mounting only. For other wall types, please consult your local hardware store for assistance in selecting the appropriate hardware.

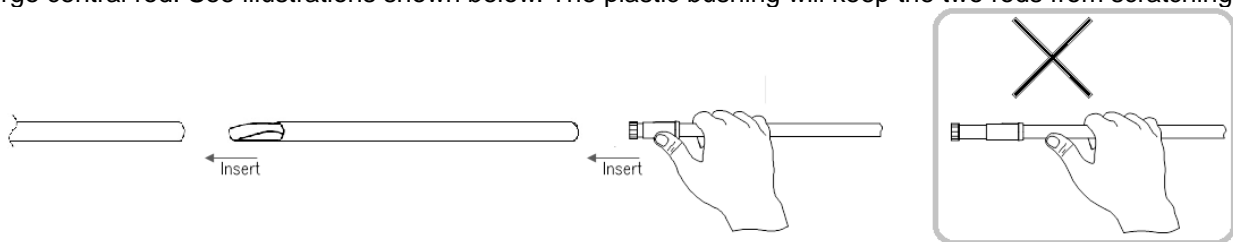
PART INCLUDED:

- | | | | |
|----------------------------|--|------------------------|--|
| (1) Back Rod (3 sections) | | (3) Mounting Brackets* | |
| (1) Front Rod (3 sections) | | (3) Back-plates | |
| (2) Small Finials | | (6) Screws | |
| (2) Large Finials | | (6) Drywall Anchors | |
| | | (1) Allen key | |

* Mounting bracket goes with plastic bushings in two different thicknesses to fit each section of the rod.

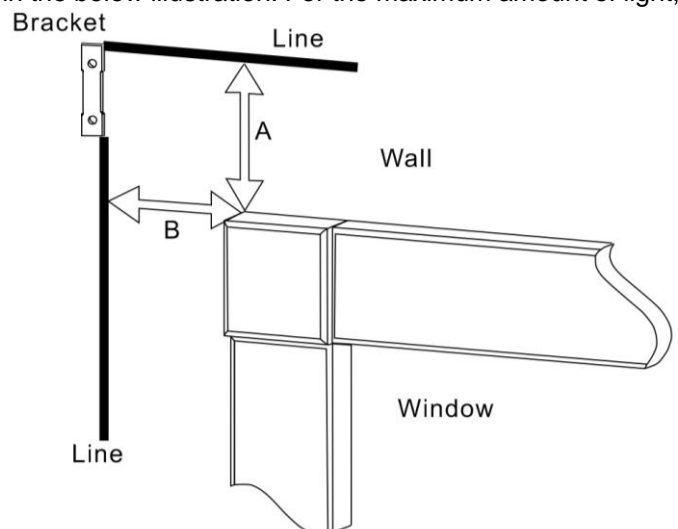
ROD ASSEMBLY INSTRUCTIONS:

- Each set of rod includes 3 sections – a large central section (with an open connecting tube at one end), a large end section and a small end section. All these rod sections are shipped separately and must be assembled before mounting to the wall to form a long single telescoping rod assembly.
- To assembly, first insert the large central rod into the large end rod and then insert the small end rod into the large central rod. Make sure that the plastic bushing is on tip of small end rod that will be inserted simultaneously into large central rod. See illustrations shown below. The plastic bushing will keep the two rods from scratching.



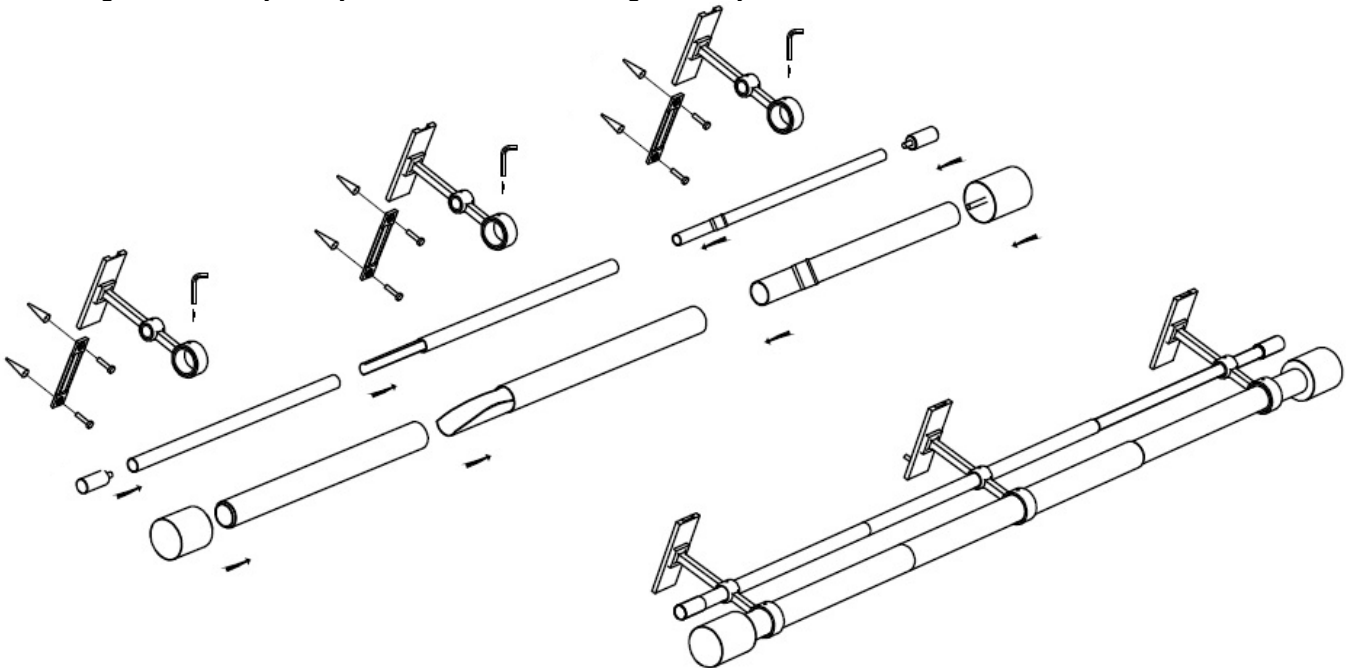
MOUNTING INSTRUCTIONS:

1. Determine a desired mounting location over a window frame and then use a tape measure, a level or a laser line level and a pencil to make a level line that extends along the entire width of the window or door frame and a predetermined distance above it, as shown by arrow (A) in the below illustration. For the maximum amount of light, we recommend that the brackets be positioned on each side of the window frame a distance (B) so that the curtains can be drawn open completely. The exact position of the brackets will depend on the width of the curtain when gathered closed. You can attach a curtain to one of the assembled, but not yet mounted rod assemblies to determine the distance (B), as shown in the illustration.
2. Align a back-plate at your calculated position using distances (A) and (B). While holding the bracket vertically straight and steady, use a pencil to mark the wall through both holes located in the back-plate and then repeat this step with the other back-plate on the opposing side of the window. Position the third bracket



at the center point of the window and align it with the horizontal line of Step (1). Again, use a pencil to mark the walls through the holes of the central back-plate and then set the back-plate aside.

3. If any of the back-plate hole marks of Step (2) aligns with wall stud (use a stud finder to determine this), use only a provided screw at that mark (do not use the anchor) when instructed to do so below.
4. For marks that do not align with a stud, use both the anchor and the screw. To install an anchor, use a Phillips screwdriver to engage the anchor and then position the anchor tip against the wall at one of the marks. Push the anchor firmly into the wall as you rotate it clockwise. The anchor will drive itself into the wall like a large screw. Continue rotating until the large flange of the anchor becomes even with the wall surface. Do not over-tighten.
5. Return one of the back-plates to its mounting position so the holes align with either an installed anchor or a pencil mark (if the mark happened to align with a stud). Use a screwdriver to secure a screw through each back-plate hole and into either the installed anchor or the wall. Rotate the screw clockwise until tight. Repeat this step with the other back-plates.
6. Slide the brackets onto the back-plates and make sure they are aligned. Keep in mind the brackets includes different thickness of bushings to fit either a large or small section of the rods at its proper placement.
7. Carefully slide each rod assembly (front / back) through each of the mounted brackets and extend the different rod sections as necessary to position the rod evenly with respect to the window. Depending on how your drapes or curtains are secured to the rod assembly (straps, rings, clips etc.), you may have to attach the drapes to the rod simultaneously as you slide the rod assembly through each bracket.
8. Use an Allen key to secure the set screw that located at each bracket to secure the rod in place.
9. Attach a finial at each end of the rod assembly (large finials for front rod and small finials for back rod). Thread the stud of the finial with the threaded hole of the rod end and rotate the finial clockwise with one hand while holding the rod firmly with your other hand. Hand-tighten only.



HANGING THE CURTAINS (Curtain is not included with this item):

- Pole Pocket/Grommet Top Curtains – Remove Finial from either end of rod to slide curtains onto the assembled rods.
- Drapery Hooks/Tie Top Curtains – For drapes with drapery hooks or tie tops, hang each hook or tie each tie directly onto the rods.
- Curtain Rings - Remove Finial from either end of rods to slide curtain rings onto the assembled rods. Secure the drapes or sheer directly to the rings.

CARE INSTRUCTIONS:

Dust with a soft, dry cloth. Do not use any abrasive or strong-chemical household cleaners.

Thank you for your purchase

west elm

Stores | catalog | www.westelm.com

Mid-Century Double Rod

Assembly and Mounting Instructions