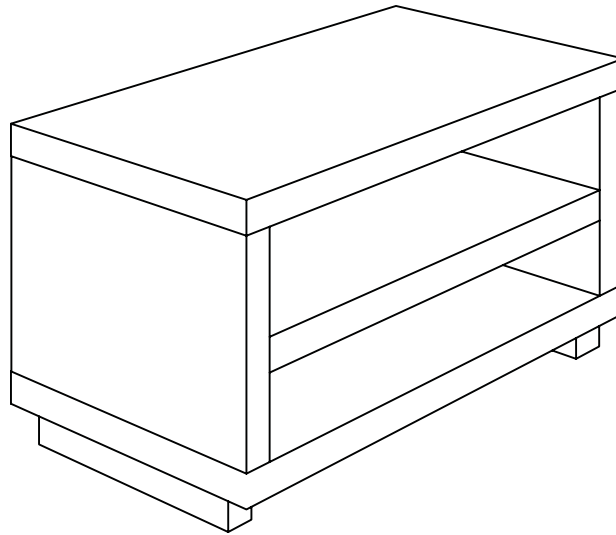


west elm

2 cube media assembly instructions



⚠ CAUTION The top shelf of this cart/stand is intended for use with: Plasma/LCD Televisions having a maximum screen size of 26" and a weight of 30 lbs or tube televisions having a maximum screen size of 24" and weight of 70 lbs.

! Tools supplied 

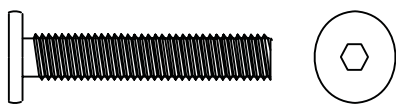
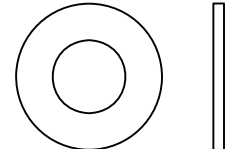

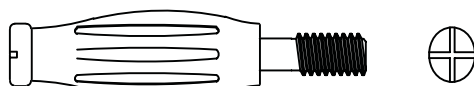
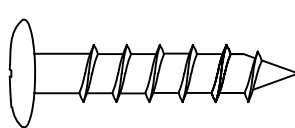
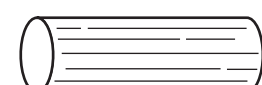
! Tools required: 

! Do not throw away packaging materials until assembly is complete.

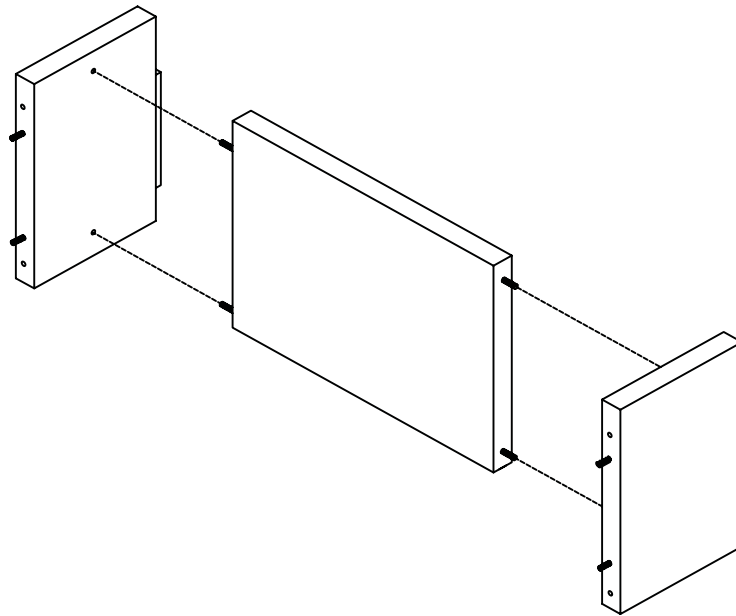
! Assemble this item on a soft surface, such as cardboard or carpet, to protect finish.

! Proper assembly of this item requires 2 people.

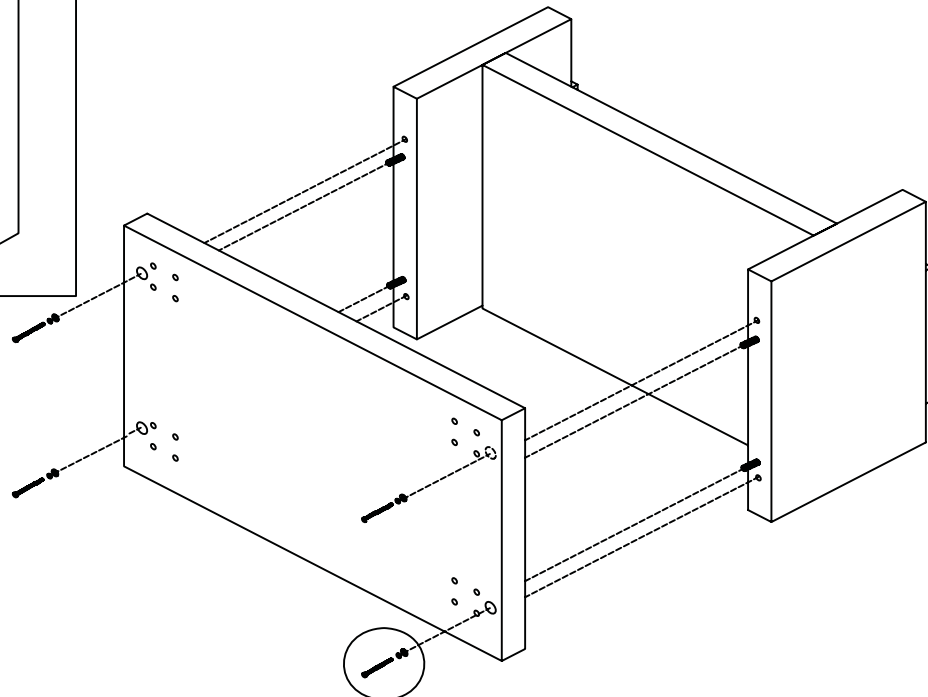
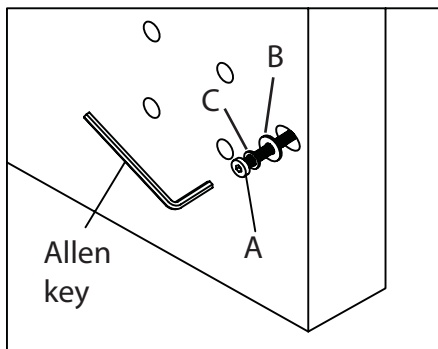
Hardware

<p>A</p>  <p>bolt (8mm x 75mm)</p>	<p>B</p>  <p>metal washer 8x</p>
<p>C</p>  <p>lock washer 8x</p>	<p>D</p>  <p>snap-lock 4x</p>
<p>E</p>  <p>screw (9mm x 25mm) 16x</p>	<p>F</p>  <p>wooden dowel 12x</p>

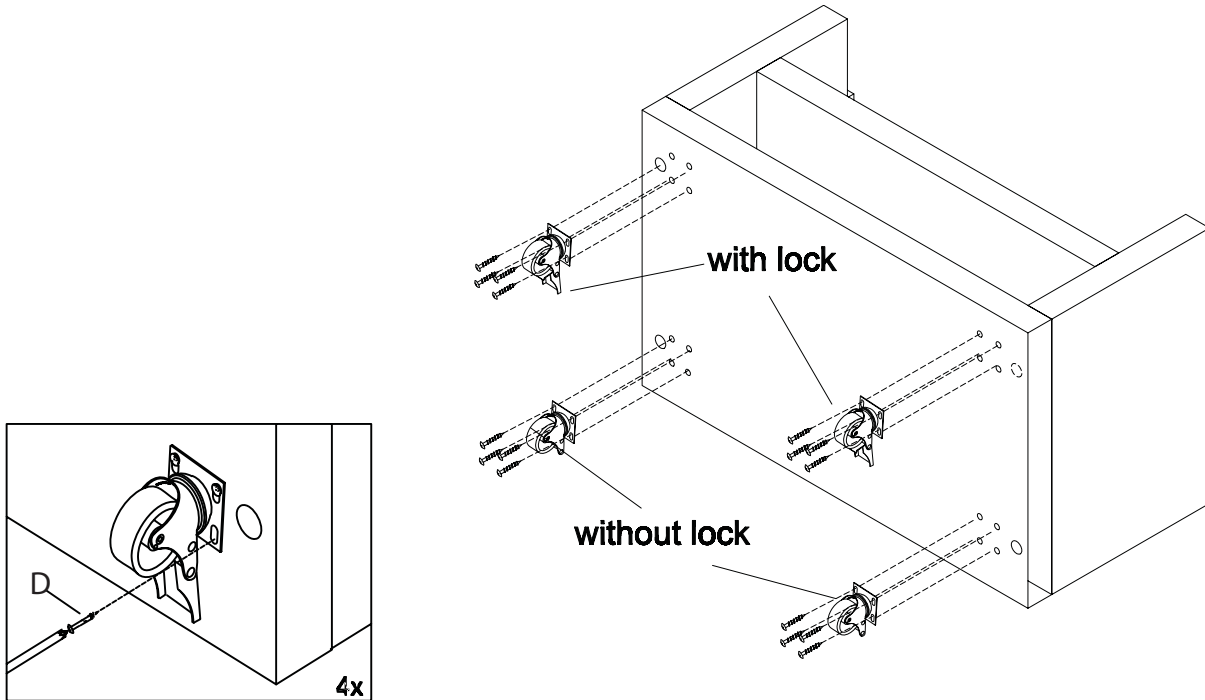
1. Insert 8 wooden dowels (F) into holes as shown in drawing. Assemble shelf with side panel as shown.



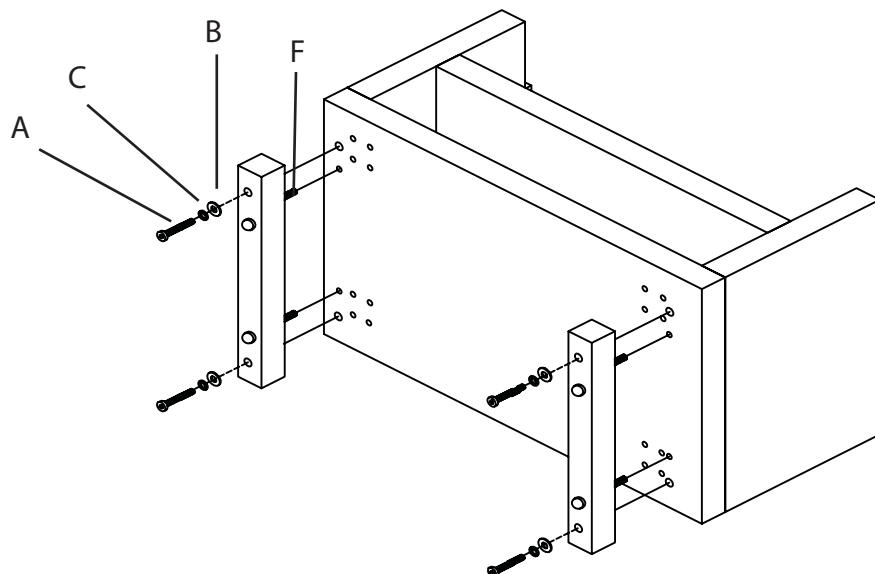
2. Attach the bottom panel to the side panel with bolts (A), lock washers (C), metal washers (B). Tighten with supplied allen key.



3. (OPTIONAL) Attach 4 casters to the bottom panel with screws (E), tighten with phillips head screwdriver.



4. (OPTIONAL) Insert 4 wooden dowels as drawing shows. Attach 2 legs to the bottom panel with bolts (A), lock washers (C), metal washers (B). Tighten with allen key (D).

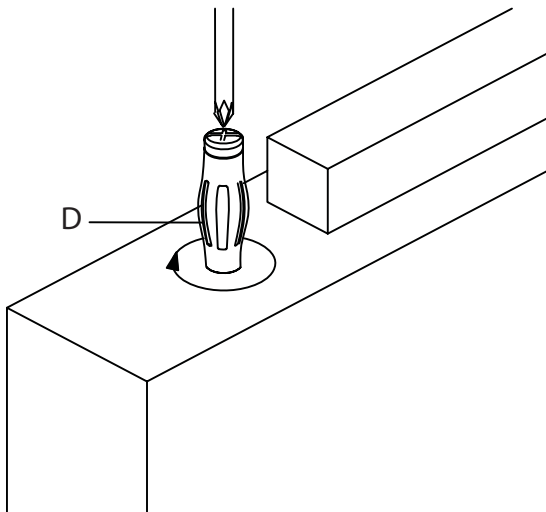
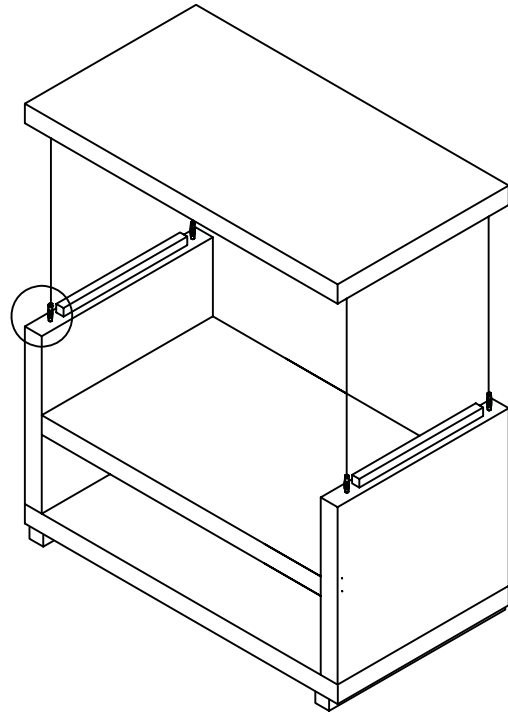
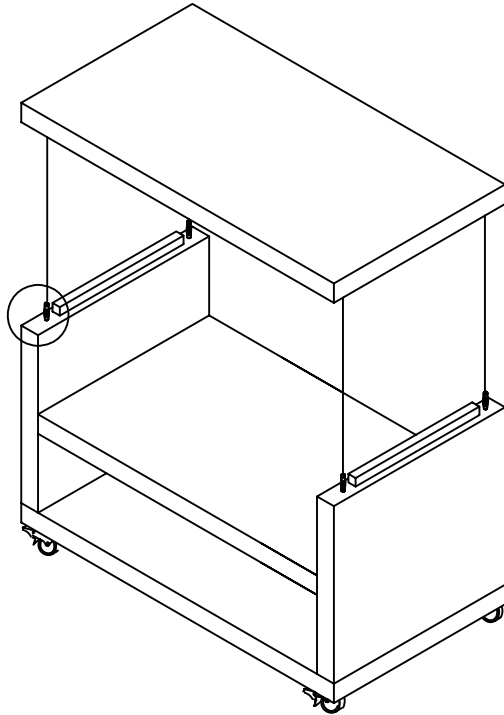


west elm

2 cube media

assembly instructions

5. Set the storage unit upright.
6. Using a philips head screwdriver, screw the snap-lock (D) into the holes on top of side panels.
7. Align the holes on the top panel with the snap-locks on the top of the side panels. Insure alignment of snap-locks (D) with holes and press down firmly on the top panel until each peg snaps into place.



CARE INSTRUCTIONS

Hardware may loosen overtime. Periodically check that all connections are tight.

Wipe with a soft, dry cloth. To protect finish, avoid the use of chemicals and household cleaners.