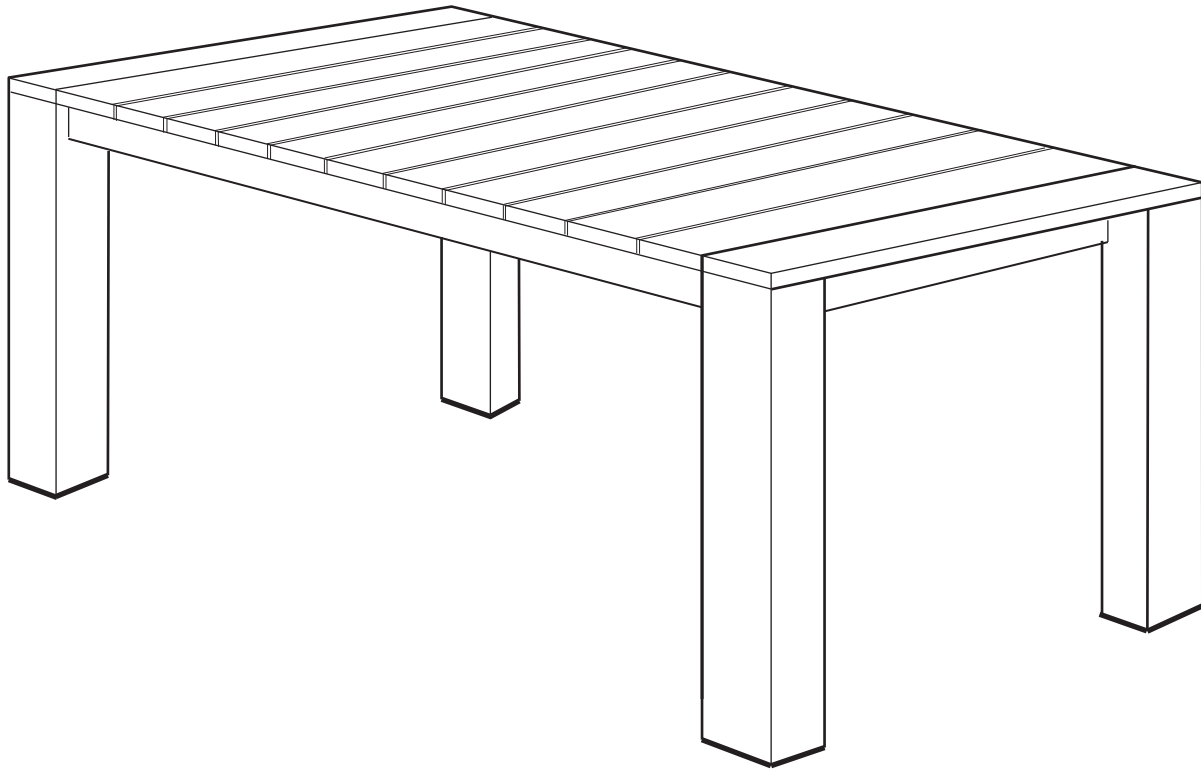
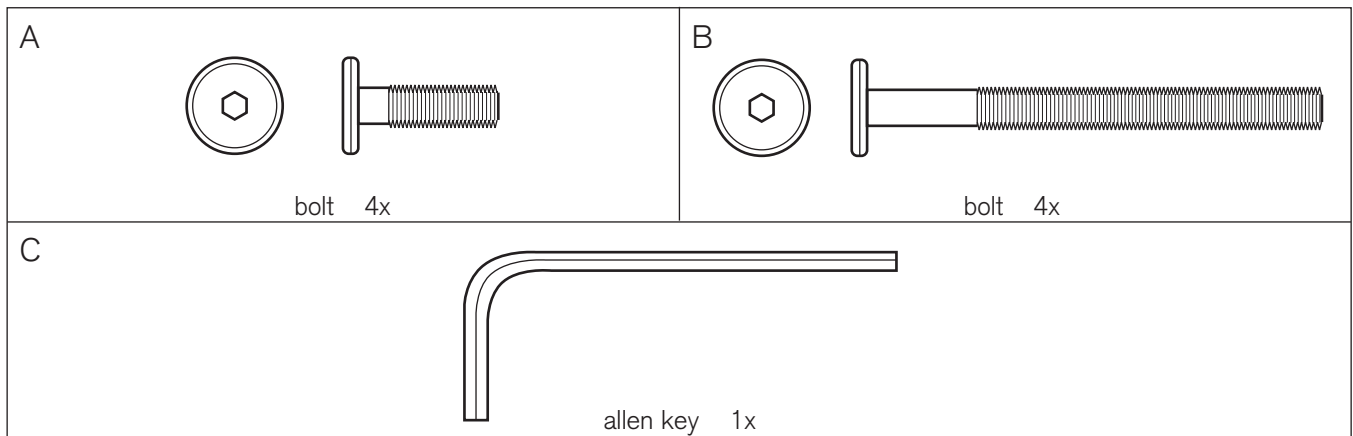


west elm: wood slat dining table

assembly instructions

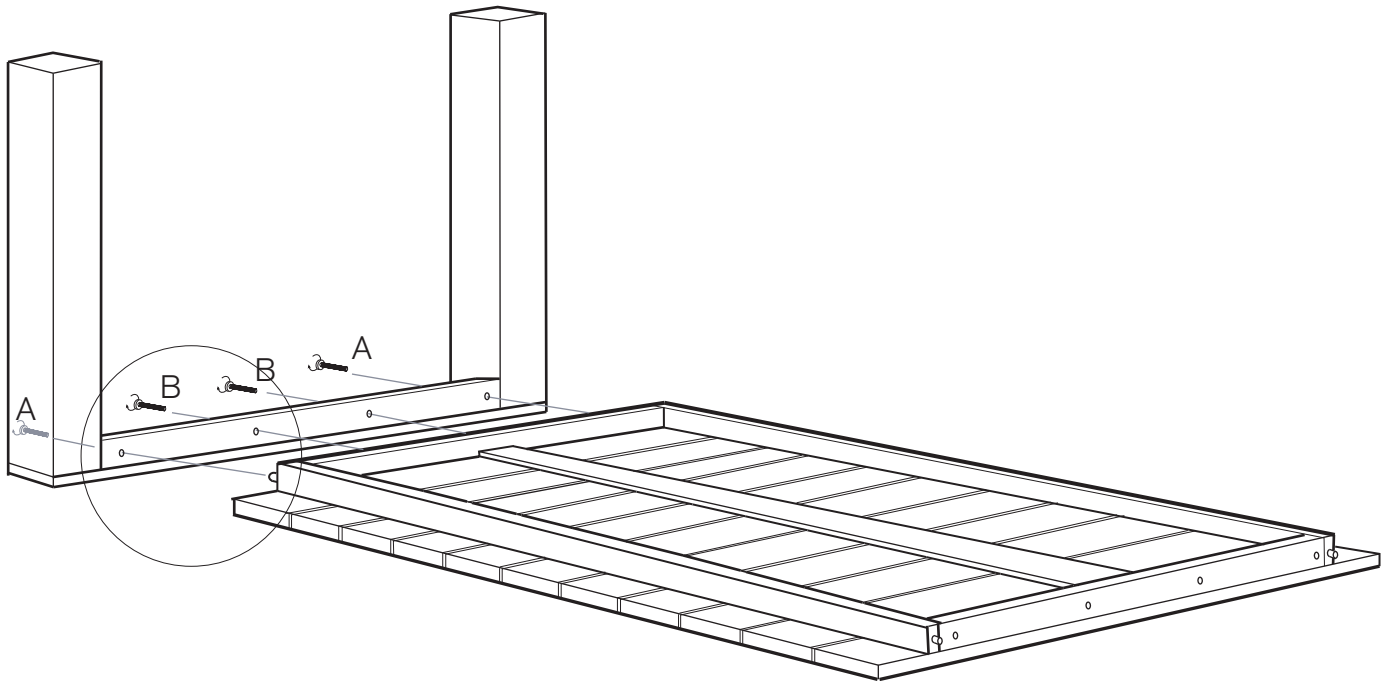


- ! Do not throw away packaging materials until assembly is complete.
- ! Assemble this item on a soft surface, such as cardboard or carpet, to protect the finish.
- ! Proper assembly of this item requires 2 people.

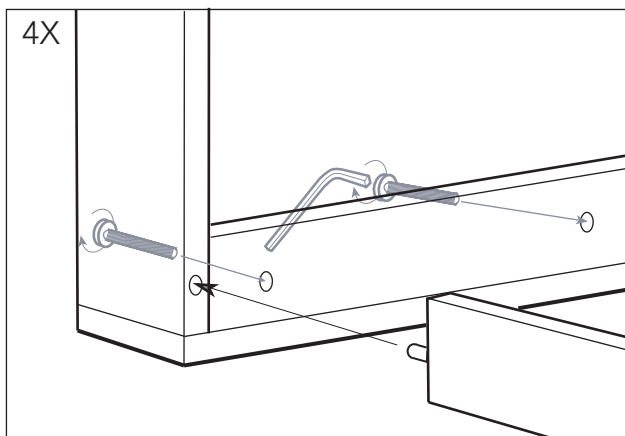


west elm: wood slat dining table

assembly instructions

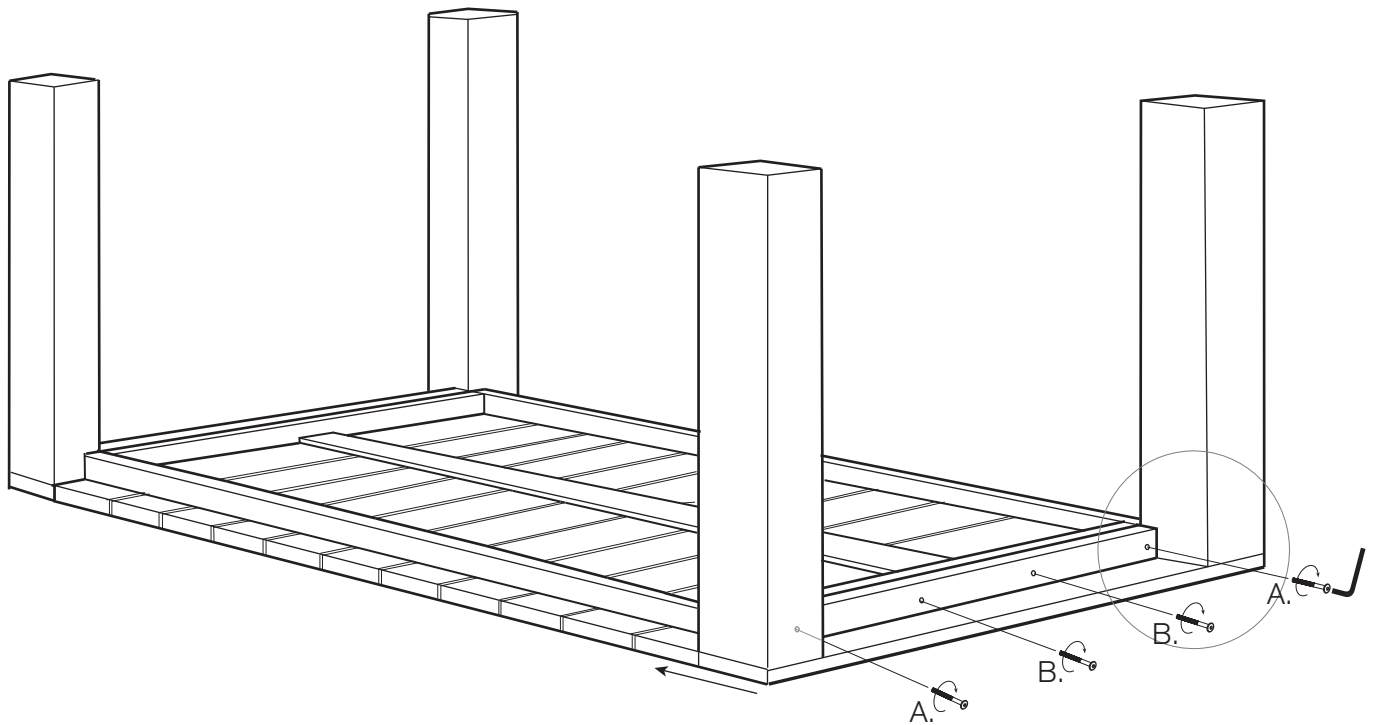


1. Insert the connectors on the side rails into the leg rails.
2. Secure with bolts (A) and tighten with allen key (C).



west elm: wood slat dining table

assembly instructions



4. Repeat steps 1 for second leg attachment.
 5. Secure with bolts (A) and tighten with allen key.
- ! Proper assembly of this item requires 2 people.

