

### CAUTION:

- **BEFORE INSTALLING FIXTURE, MAKE SURE THE POWER TO THE CIRCUIT IS TURNED OFF AT THE MAIN FUSE BOX / CIRCUIT BREAKER UTILITY BOX.**

### Important Safety Instructions:

- These instructions are provided for your safety. It is very important that they are read carefully and completely before beginning the assembly and installation of this lighting fixture.
- We strongly recommend that a professional electrician install all direct wire fixtures.
- THIS PRODUCT MUST BE INSTALLED IN ACCORDANCE WITH THE APPLICABLE INSTALLATION CODES BY A PERSON FAMILIAR WITH THE CONSTRUCTION AND OPERATION OF THE PRODUCT AND THE HAZARDS INVOLVED.
- For your safety, it is strongly recommended that two people install the lighting fixture.
- This fixture has been rated for up to one (1) **E27 100-watt maximum light bulb** (not included). To avoid the risk of fire, do not exceed the recommended wattage.
- The external flexible cable or cord of this Lighting fixture cannot be replaced, if the flexible cable or cord is damaged, the lighting fixture must be discarded.
- The lighting fixture is meant for indoor use.
- **Save these instructions.**

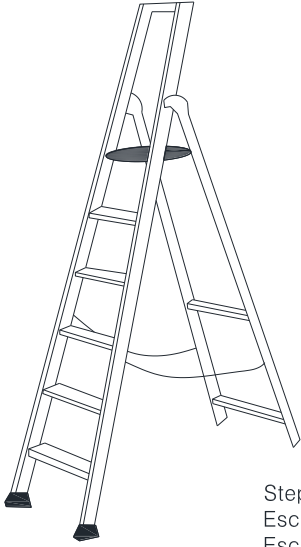
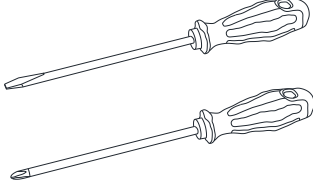
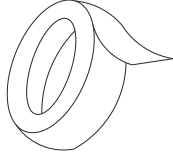
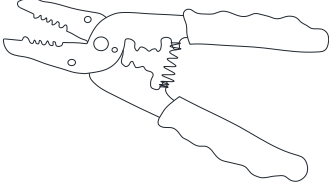
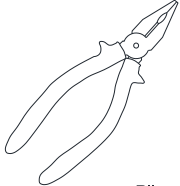
### WARNING:

- **To reduce the risk of fire, electrical shock or personal injury, always turn off light fixture and allow it to cool prior to replacing light bulb.**
- **Do not touch bulb when fixture is turned on. Do not look directly at lit bulb.**
- **Keep flammable materials away from lit bulb.**

### Pre-assembly:

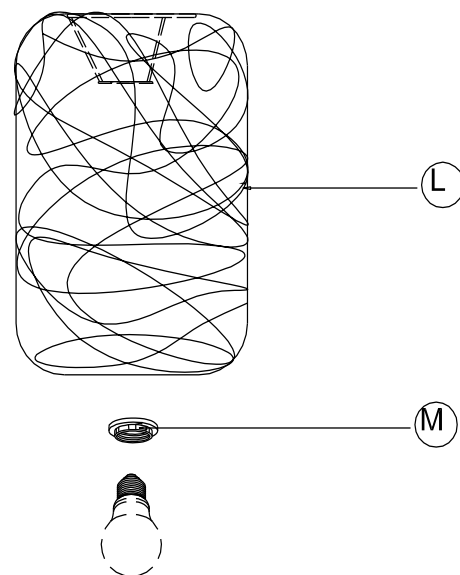
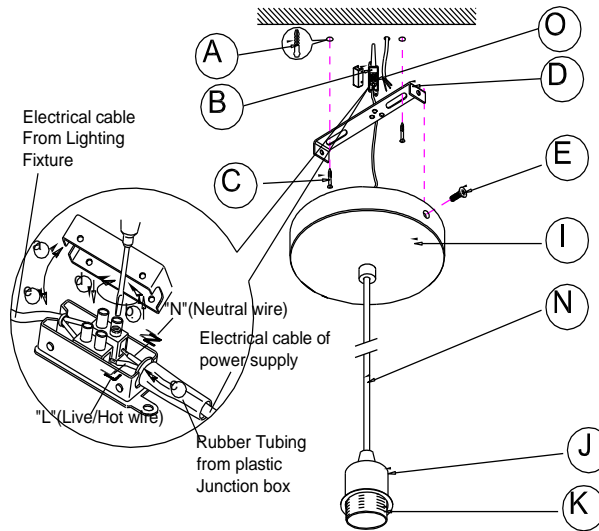
- Remove all parts and hardware from box along with any plastic protective packaging.
- Do not discard any contents until after assembly is complete to avoid accidentally discarding small parts or hardware.
- For your safety and convenience, assembly by two people is recommended.

**TOOLS REQUIRED (not included):**

 <p>Step Ladder Escabeau Escalera</p>	 <p>Phillips Head, Flat Blade Screwdrivers Tournevis à tête Phillips et à tête plate Destornilladores Cabeza Phillips y Destornilladores Cabeza Plana</p>	 <p>Electrical tape Ruban isolant Cinta Electrica.</p>
	 <p>Wire Cutter/Stripper Pince coupe-fil/ à dénudé Cortador de Cable</p>	 <p>Plier Pince Alicates</p>

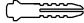

**Parts Included:**

- (B) Plastic Junction Box (1)
- (D) Mounting Plate (1)
- (E) Canopy Screws (2)
- (F) Set Screws (1)
- (G) Plastic Strain Relief (1)
- (H) Fiber Sleeve (1)
- (I) Canopy (1)
- (J) Socket Cap (1)
- (K) Socket (1)
- (L) Shade(not included)
- (N) Power Cord(1)
- (M) Socket Ring(1)
- (O) Terminal Block (1)



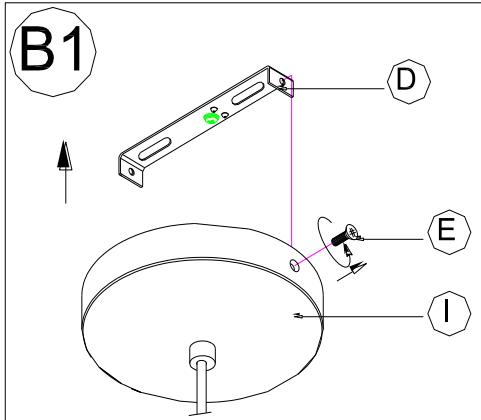
**Hardware Enclosed:**

- (A) Plastic Anchors (2)
- (C) Mounting Screws (2)

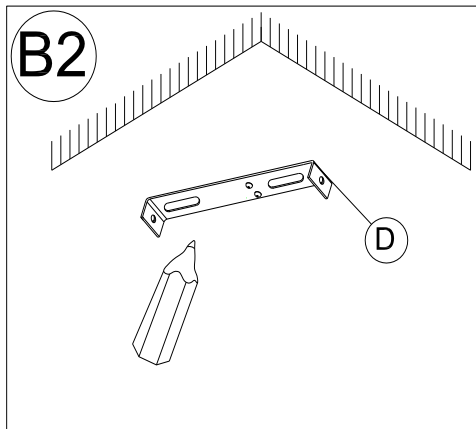
<p><b>A</b>  2X</p>	<p><b>C</b>  2X</p>
--	--

## Assembly & Installation Instructions:

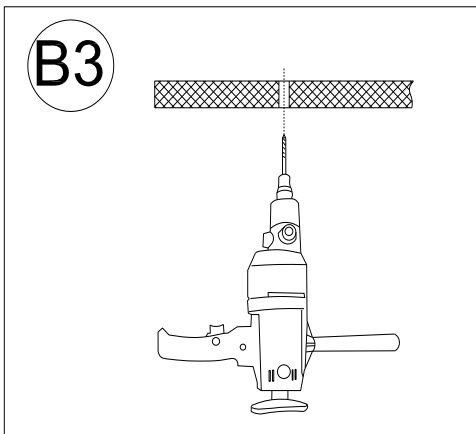
- SHUT OFF THE MAIN ELECTRICAL SUPPLY FROM THE MAIN FUSE BOX/CIRCUIT BREAKER.
- Carefully unpack all fixture parts and hardware and lay them on a clear workspace.



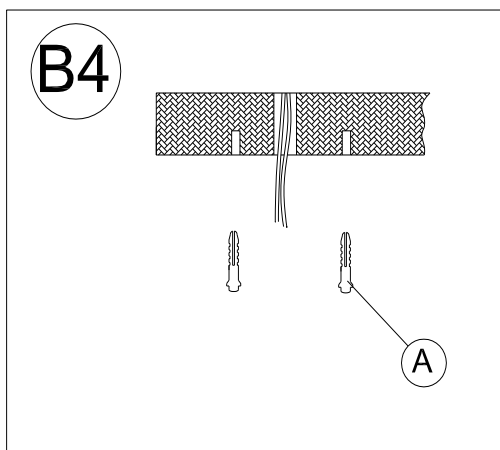
1. Separate the Mounting Plate (D) from Canopy (I) by removing the Canopy Screws (E). Do not discard the Canopy Screws (E) as these will be used later.



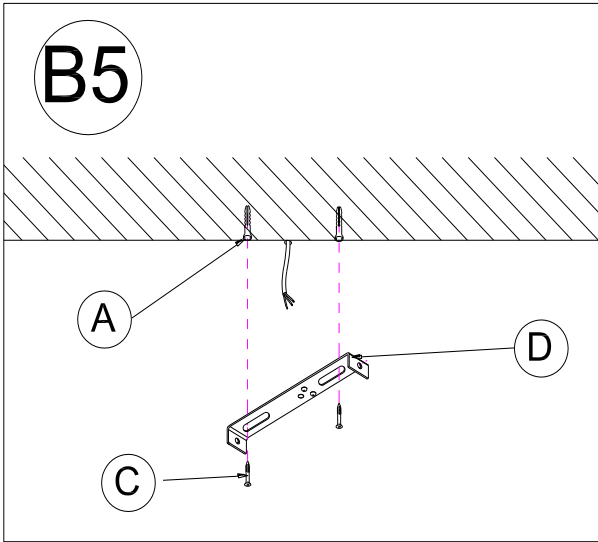
2. Determine the desired location for the light fixture, place the Mounting Plate (D) against the ceiling and mark the location of the slots of Mounting Plate (D) onto the ceiling using a pencil.



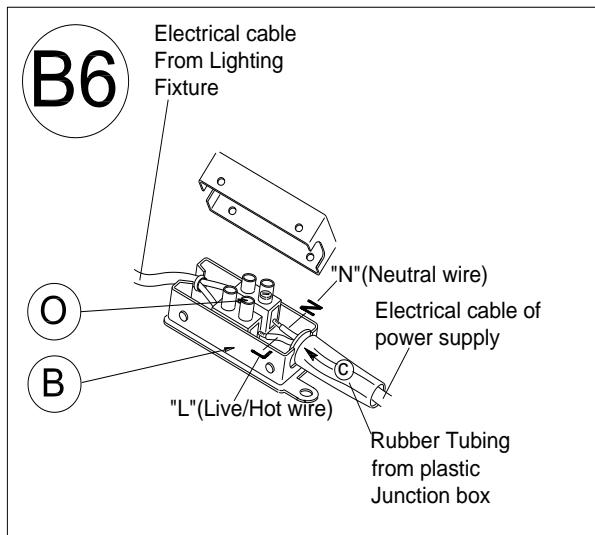
3. Using the drill with the appropriate size drill bit (just large enough to make hole that will allow passage of the Plastic Anchors (A) assemblies), drill one hole in the ceiling at each marked slot location for the Plastic Anchors (A).



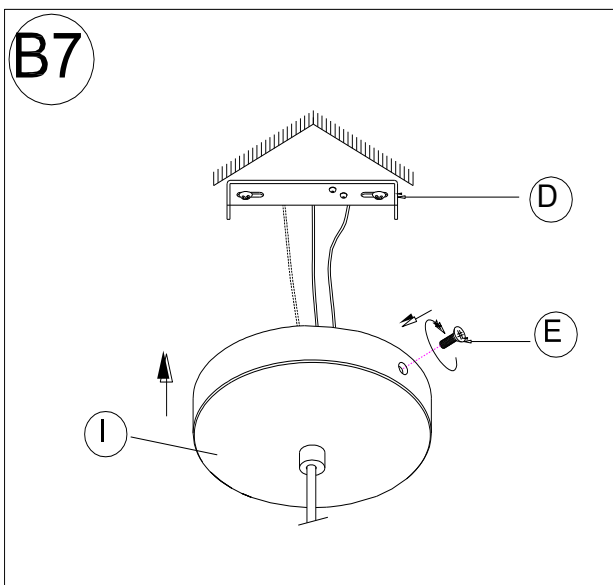
4. Insert each Plastic Anchors (A) into each Drilled hole on ceiling.



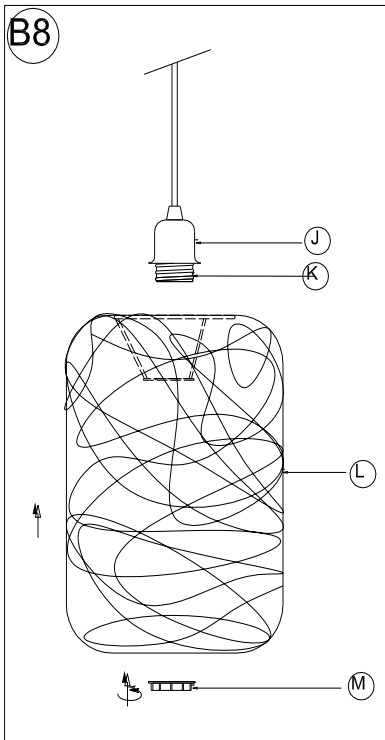
5. Attach the Mounting Plate (D) onto the ceiling aligning the 2 slots on the Mounting Plate (D) with the installed Plastic Anchors (A). secure the mounting plate (D) by Inserting each Mounting Screws (C), turning each Mounting Screw (D) in a clockwise direction with a screwdriver until tight.



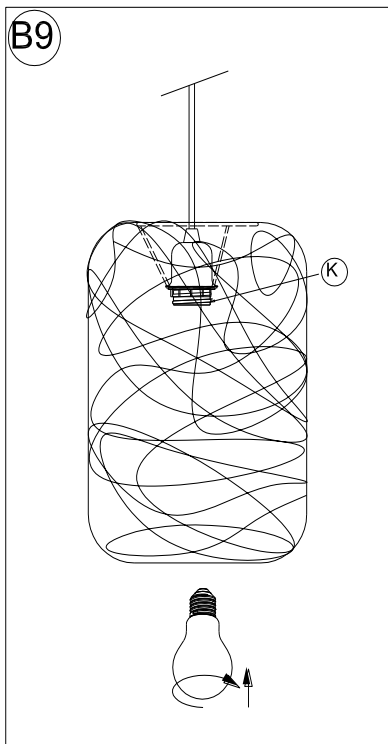
6. Find the Terminal Block (O) by opening the cover of Plastic Junction Box (B) in the Canopy (I). Carefully inspect the Terminal Block (O), the terminal marked "L" is to connect to Live/Hot wire of power supply cable and the terminal marked "N" is to connect to Neutral wire of power supply cable. Insert the electrical wire of power supply cord through the rubber tubing of Plastic Junction Box (B) and correctly connect the wires of power supply cable to the Terminal Block (O). Seal the Plastic Junction Box (B) by putting its cover back after



7. With the help of another person to hold the weight of the light fixture, position the Canopy (I) over the Mounting Plate (D), aligning the 2 holes on the Canopy (I) with the 2 holes from the Mounting Plate (D). Insert the 2 Canopy Screws (E) and tighten to secure the Canopy (I) in place.



8. Attached shade onto the Socket (K), Secure shade by tightening the Socket Ring (M) in a clockwise direction until tighten.



9. Insert the specified light bulb into the Socket (K). DO NOT EXCEED THE SPECIFIED WATTAGE.

**Care instructions:**

- Wipe clean with a soft, dry cloth or static duster.
- Always avoid the use of harsh chemicals or abrasive cleaners as they may cause damage to the fixture's finish.

Thank you for your purchase  
Stores | catalog | [www.westelm.com](http://www.westelm.com)