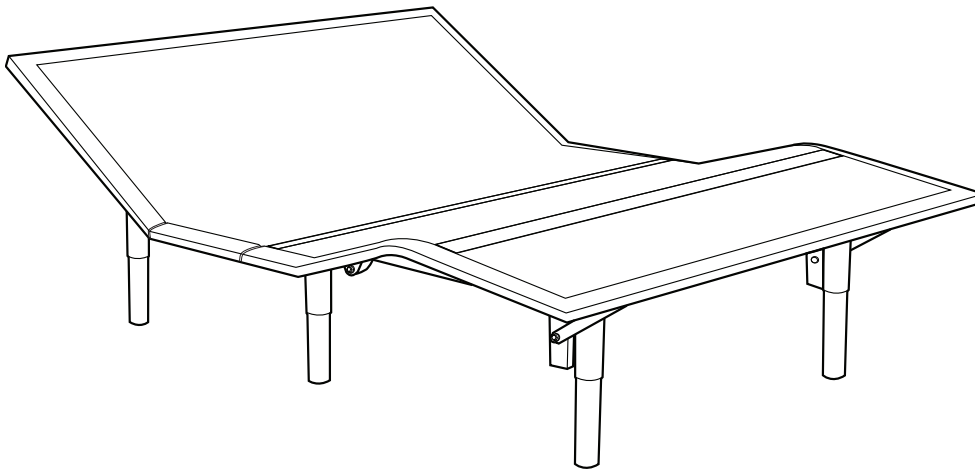




adjustable base
owners manual



CONTENTS

Parts	3
Assembly	4
Remote Control Function	7
Remote Control Programming	8
Troubleshooting	9
Accessories	10
Warranty	11
Advisory	13



READ ALL INSTRUCTIONS BEFORE USING

If adjustable base does not operate or if parts are missing, call:
(844) 335-3372

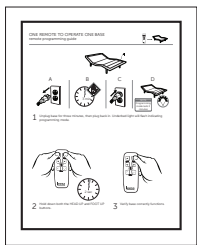
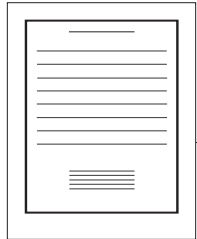
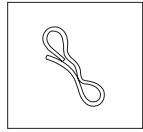
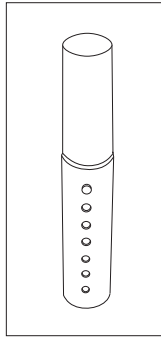
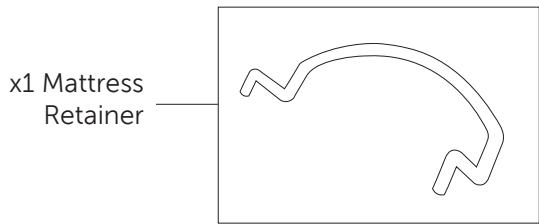
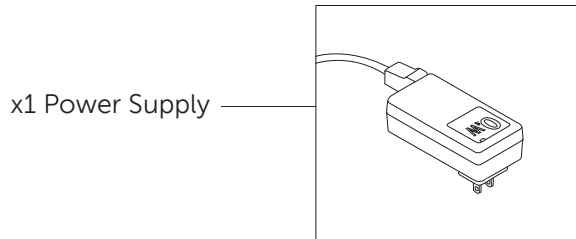
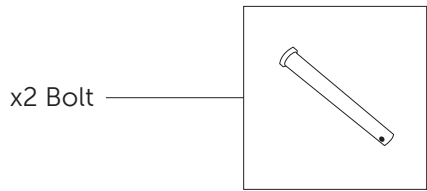
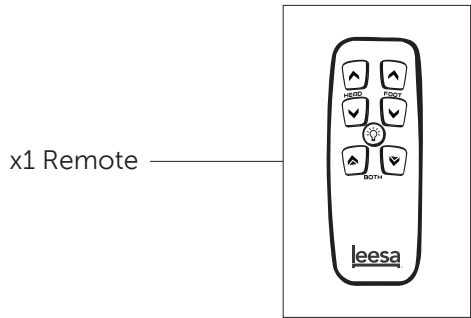
For delivery or damage claims, call
Leesa Customer Care: (844) 335-3372

leesa

PARTS

 **WARNING**
DUE TO RISK OF INJURY, TWO ADULTS
ARE REQUIRED TO HANDLE AND MOVE
ADJUSTABLE BASE.

 **WARNING**
PINCH POINT!
KEEP HANDS AND FINGERS CLEAR OF
HINGES DURING UNFOLDING OF BASE.



ASSEMBLY

STEP 1

Open shipping carton. Carefully, lift adjustable base out of carton and place on clean surface. Note: Allow for enough space to unfold base in setup area. Unfold base until flat. Remove hardware/leg boxes, verify all parts are included (page 3).

STEP 2

Align lower holes at hinge. Insert bolt through holes in opposite direction of existing bolt (FIGURE 1). Repeat for other side.

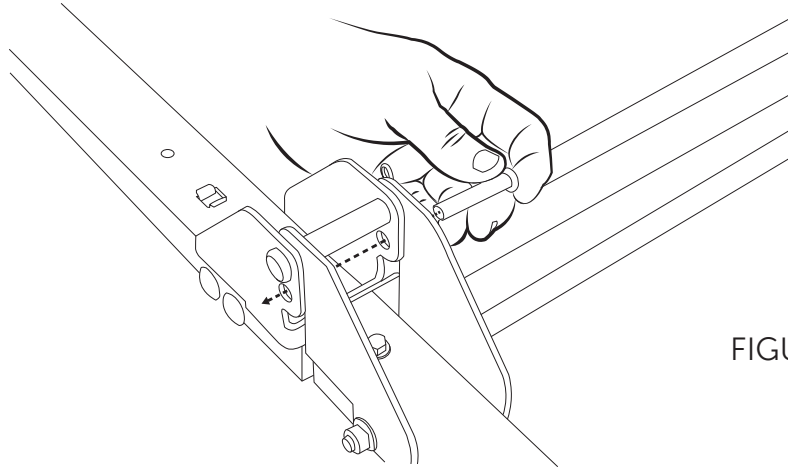


FIGURE 1

STEP 3

Insert captive pin into bolt (FIGURE 2). Repeat for other side.

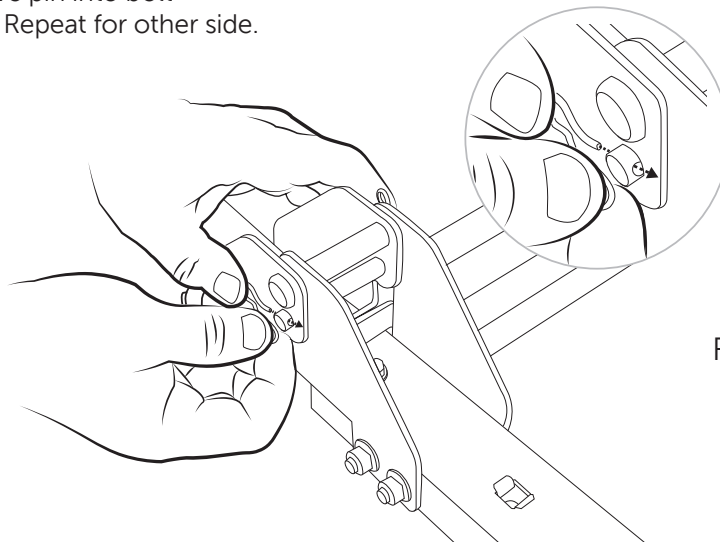


FIGURE 2

ASSEMBLY

STEP 4
Install legs (FIGURES 3 and 4).

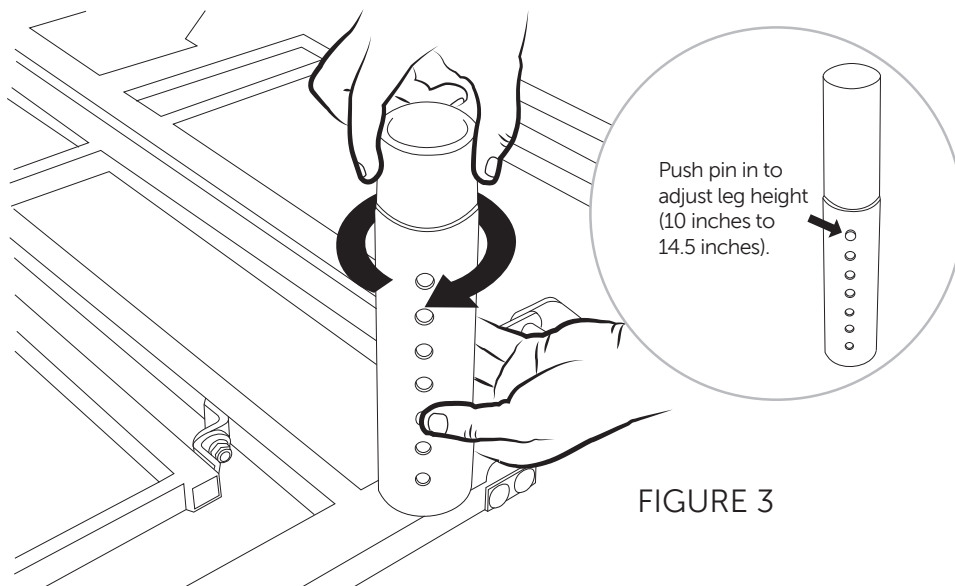


FIGURE 3

Install the (2) center legs at the hinges in diagonal position across the center fold of base.

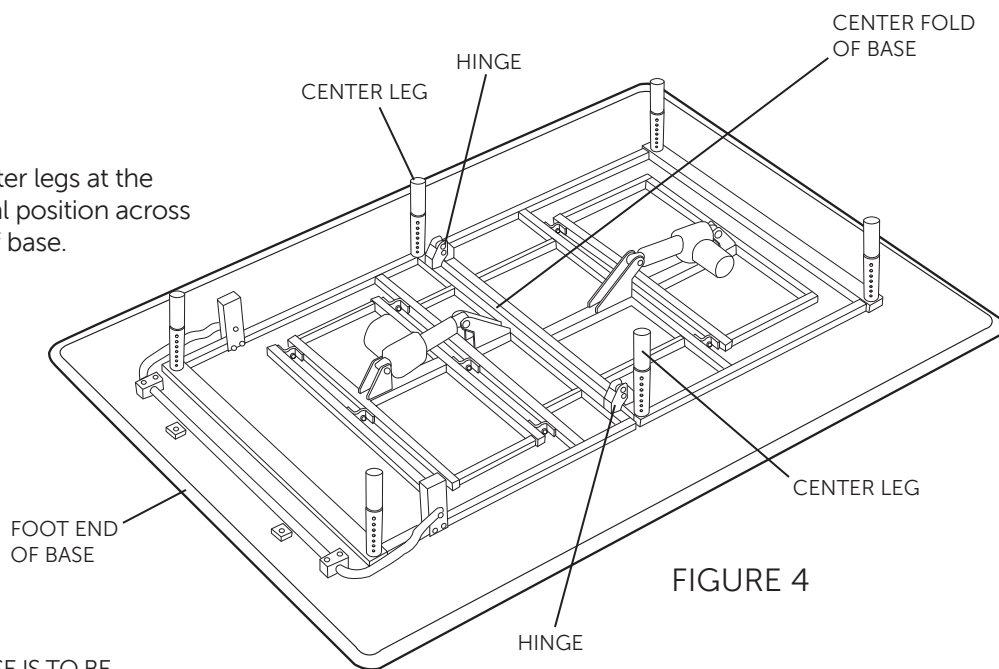


FIGURE 4

IMPORTANT: IF BASE IS TO BE INSTALLED IN CASE GOOD OR BED FRAME, MEASURE CLEARANCE HEIGHT OF CASE GOOD/FRAME AND ADJUST LEGS ACCORDINGLY FOR SUPPORT AND FIT.

ASSEMBLY

STEP 5
Extend electrical power cord out head end of base (FIGURE 5).

STEP 6
Carefully rotate over so base is resting on its legs and plug into electrical outlet.

STEP 7
Use the remote to verify all features are in working order. If base does not operate, refer to Troubleshooting in this manual.

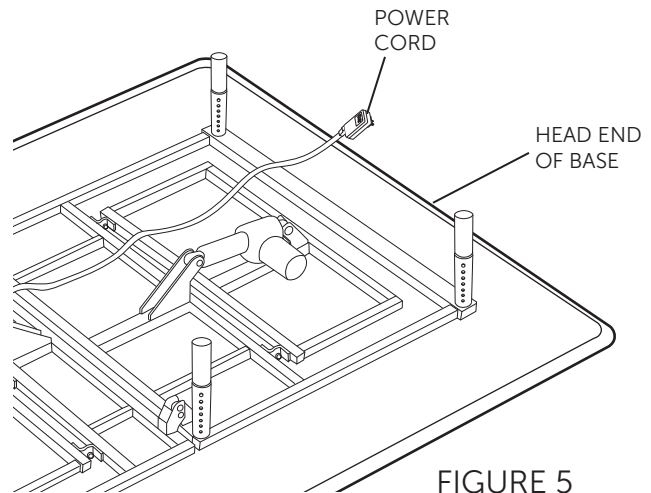


FIGURE 5

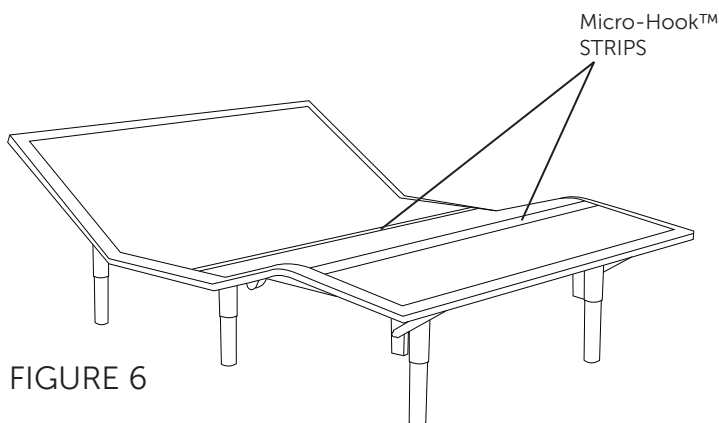


FIGURE 6

STEP 8
Remove protective film from Micro-Hook™ strips (FIGURE 6).

STEP 9 (optional)
Carefully insert base into case good or bed frame, if applicable.

STEP 10 (optional)
Install mattress retainer at the foot end of adjustable base (FIGURE 7). Micro-Hook™ strips should captivate the mattress in place. Use mattress retainer if mattress is not Micro-Hook™ friendly.

STEP 11
Install mattress on adjustable base to complete assembly.

Congratulations! You have now completed assembly. Now you can program your remote (if required; remote comes from the factory pre-programmed to operate the base). Be sure to visit the App Store to operate your base with your smart phone.

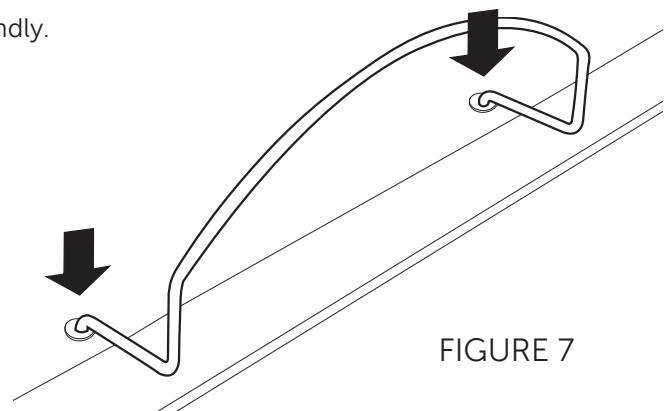
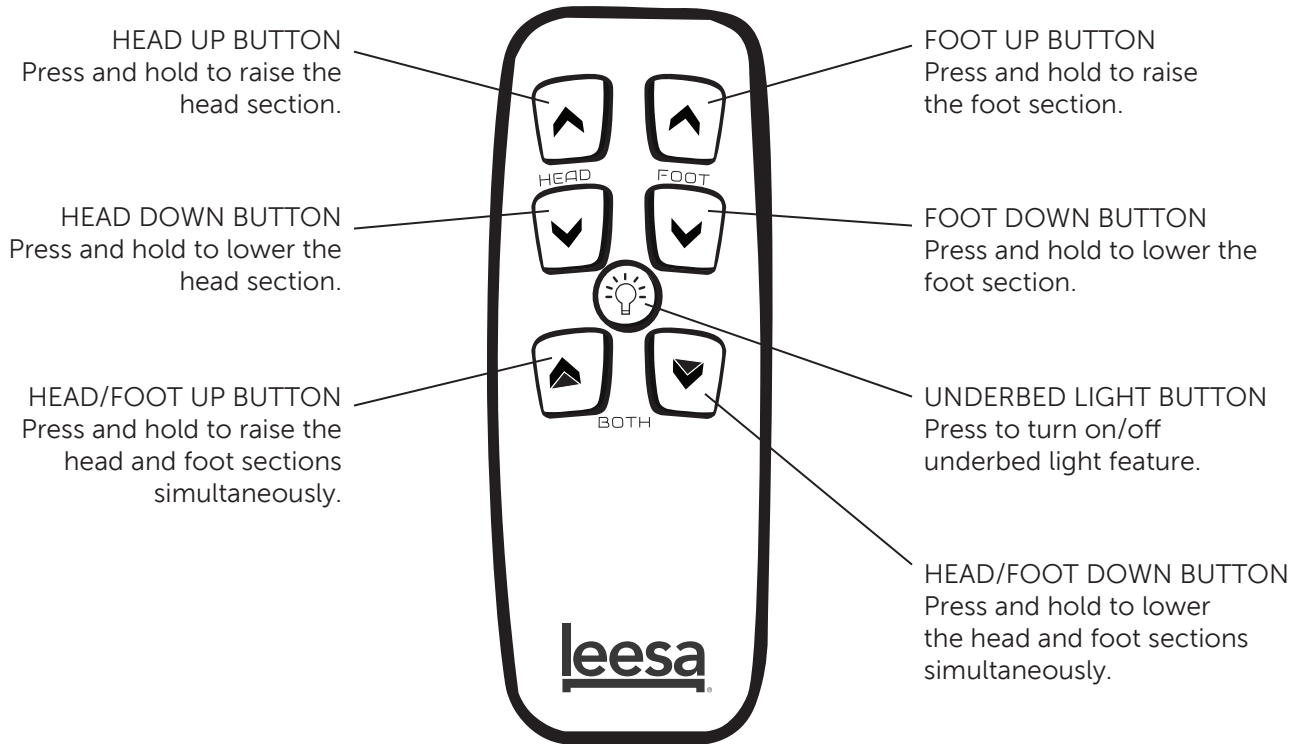


FIGURE 7

REMOTE CONTROL FUNCTION

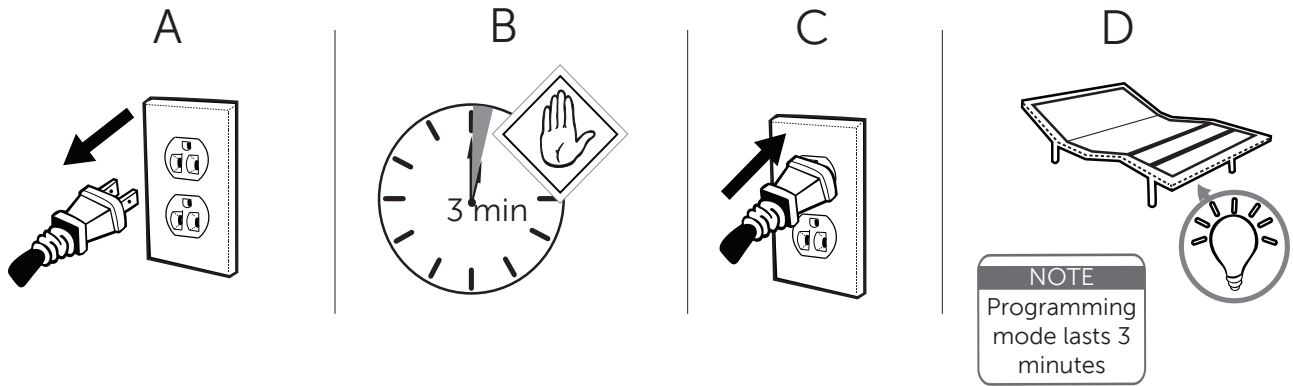
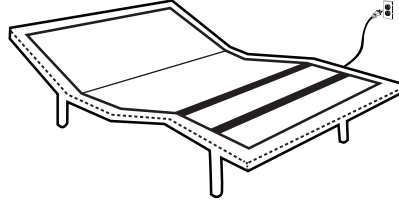


REMOTE CONTROL PROGRAMMING

One Remote to Operate One Base

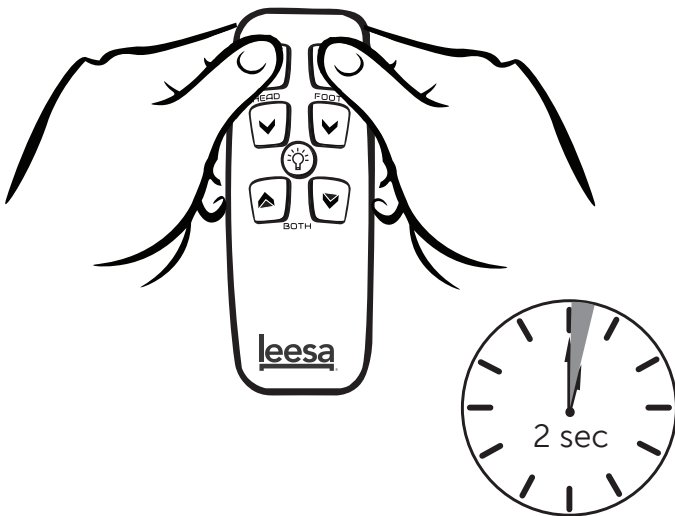
STEP 1

Unplug base for three minutes, then plug back in. Underbed light will flash indicating programming mode.



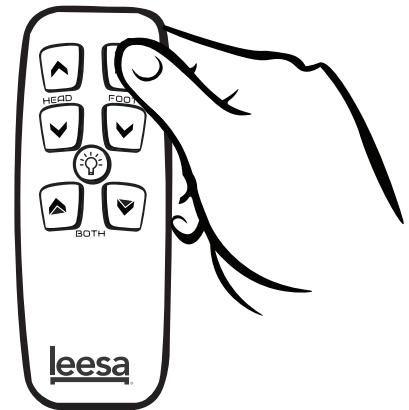
STEP 2

Hold down both the HEAD UP and FOOT UP buttons.



STEP 3

Verify base correctly functions.



*See the Remote Programming Guide for additional syncing information.

TROUBLESHOOTING

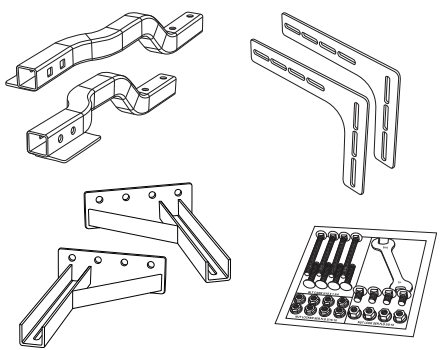
If your adjustable base will not operate, see chart below:

SYMPTOM	SOLUTION
No features of the base will activate.	<ul style="list-style-type: none"> • Program the remote control (see Remote Control Programming section of this manual for programming procedures). • Unplug power cord, wait 30 seconds and plug in to reset electronic components. • Electrical circuit breaker may be tripped. Check electrical service breaker box to verify. • Defective surge protection device or electrical outlet. Test outlet by plugging in another working appliance. • Verify power down device unplugged from base after usage. • If the base was operated over the rated duty cycle, thermal switch opens. Wait 30 minutes before trying to operate the base. Once the base resumes normal operation, do not exceed the duty cycle.
Head or foot section will elevate, but will not return to the horizontal (flat) position.	<ul style="list-style-type: none"> • Base mechanism may be obstructed. Elevate base and check for obstruction. Remove obstruction. • Head section may be too close to the wall.
Intermittent operation using 2 remote controls.	<ul style="list-style-type: none"> • Wait 5 seconds before using the spare remote control.

ACCESSORIES

OPTIONAL EQUIPMENT

Contact customer service toll free (844-335-3372) to order the accessory indicated in the chart below.

ACCESSORY DESCRIPTION	CODE	IMAGE
Head Board Brackets	4B9245	

1-YEAR, 3-YEAR AND 25-YEAR LIMITED WARRANTY

In this warranty: "Adjustable base" means the adjustable bed foundation sold by L&P to the dealer. The "adjustable base" does not include the mattress. "L&P" means Leggett & Platt, Incorporated. "Purchaser" and "You" both mean the consumer who is the original purchaser of this adjustable base made by L&P. This warranty is not transferrable. "Warranty Commencement Date" means either (i) the date You purchased a new and unused L&P adjustable base or (ii) the date of manufacture of this adjustable base if You purchased an L&P adjustable base that has been used as floor or display model. A "replacement part" is a new or used part selected at the sole discretion of the manufacturer, including a refurbished or reinspected part, provided in replacement of a part previously incorporated in the adjustable base. L&P warrants this adjustable base to You on the terms and over the reducing periods of time set out below. All warranty claims require notice from You to be given to L&P in the manner set out below, and to be received by L&P inside the applicable warranty time period.

1ST YEAR FULL WARRANTY

For the first year from the Warranty Commencement Date, your adjustable base is warranted against non-excluded defects in L&P's workmanship or materials. During the first year from the Warranty Commencement Date, L&P will repair or replace (at no cost to You) any defective adjustable base part, and L&P will pay all authorized labor and transportation costs associated with the repair or replacement of any parts found to be defective.

2ND & 3RD YEAR LIMITED WARRANTY

During the second and third year from the Warranty Commencement Date, L&P will replace any adjustable base part found to be defective and not excluded by this warranty. You are responsible to pay all service and transportation costs related to the costs of receiving and installation of the replacement part.

4TH YEAR TO END OF 25TH YEAR LIMITED WARRANTY

Starting in the fourth year from the Warranty Commencement Date and through to the end of the 25th year from the Warranty Commencement Date, L&P will replace steel and mechanical base parts found to be defective and not excluded by this warranty. This warranty does not cover any electronics, electrical components, drive motors or massage motors. You are responsible to pay all service and transportation costs related to receiving and installation of the replacement part and a portion of the cost of the replacement steel and mechanical part, based on the number of months that the base has been owned by you since the fourth anniversary of the Warranty Commencement Date. By the end of the 25th year, no portion of the replacement cost is covered by L&P. You will be required to pay 1/22nd of the then current replacement cost of the part multiplied by the number of years past the third year from the Warranty Commencement Date. This portion is calculated using the following formula: Cost of the replacement part divided by 22 [being the number of years in years 4 to 25 inclusive], multiplied by the number of years you have owned the base since the end of the first 3 years. For example, if you make a claim for a replacement part eligible for this warranty in the 5th year since the Warranty Commencement Date, you would be responsible for paying: \$100 part cost divided by 22, multiplied by 2 = \$9.09.

ADDITIONAL TERMS AND CONDITIONS

This warranty requires notice to be given to L&P of any claim for repairs or replacement parts.

EXCLUSIONS:

This warranty does not apply; (a) to any damage caused by You; (b) if there has been any repair or replacement of adjustable base parts by an unauthorized person; (c) if the adjustable base has been mishandled (whether in transit or by other means), subjected to physical or electrical abuse or misuse, or otherwise operated in any manner inconsistent with the operation and maintenance procedures outlined in the Owners Manual and this warranty; (d) to damage to mattresses, fabric, cables, electrical cords or items supplied by dealers (contact the dealer for warranty information on these items); (e) if there has been any modification of the adjustable base without prior written consent by L&P; or (f) to costs for unnecessary service calls, including costs for in-home service calls solely for the purpose of educating You about the adjustable base or finding a satisfactory power connection.

This warranty will be void if either the recommended weight restriction is not followed (refer to the advisory section of the Owners Manual) or if You sell or give or transfer the base to another person.

Any repairs to or replacement to Your adjustable base or its components under the terms of this limited warranty does not extend the applicable warranty from the Warranty Commencement Date. This time limitation may not apply in some jurisdictions, including the Province of Quebec.

The decision to repair or to replace defective parts under this warranty shall be made, or cause to be made, by L&P at its option and in its sole discretion.

Continued on next page...

1-YEAR, 3-YEAR AND 25-YEAR LIMITED WARRANTY

Repair or replacement shall be the sole remedy of the Purchaser. There shall be no liability on the part of L&P for any special, indirect, incidental, or consequential damages or for any other damage, claim, or loss not expressly covered by the terms of this warranty.

This limited warranty does not include reimbursement for inconvenience, removal, installation, setup time, loss of use, shipping, or any other costs or expenses. L&P and its service technicians will not be responsible for moving furniture or any other items not attached to the adjustable base in order to perform service on the adjustable base.

It is the sole responsibility of You to provide adequate space and accessibility to the adjustable base. In the event that the technician is unable to perform service due to lack of accessibility, the service call will be billed to You and the service will have to be rescheduled.

L&P makes no other warranty whatever, express or implied, and all implied warranties of merchantability and fitness for a particular purpose are disclaimed by L&P and excluded from this agreement.

Some American States do not allow the exclusion or limitation of incidental or consequential damages, so the above limitation or exclusion may not apply to You.

This warranty gives You specific legal rights, and You may also have other rights, which may vary from jurisdiction to jurisdiction. This warranty is valid in all 50 American States, the District of Columbia, Puerto Rico, and all 10 Provinces and 3 Territories of Canada.

For customer service under this limited warranty, give notice to L&P by mail, phone, email or online to the addresses set out below:

For Warranty Claim Service call:
Leesa Customer Care
toll free phone: (844) 335-3372

ADVISORY

IMPORTANT INFORMATION



WARNING

FOR OPTIMUM ADJUSTABLE BASE OPERATION, USE A GROUNDED, ELECTRICAL SURGE PROTECTION DEVICE (NOT INCLUDED). FAILURE TO USE A SURGE PROTECTION DEVICE COULD COMPROMISE SAFETY OR CAUSE PRODUCT MALFUNCTION.

ELECTRICAL RATING

Electrical components are rated for 120VAC, 60Hz, 1.2A.

WARRANTY WARNING

Do not open any control boxes, motors or remote control devices (with the exception of the power down box battery compartment). The product warranty will be void if these components are tampered with. Do not attempt to alter component wiring or adjust or modify the structure of the product in any way or the warranty will be void. Any repair or replacement of base parts must be performed by authorized personnel.

LUBRICATION

This product is designed to be maintenance free. The lift motors are permanently lubricated and sealed—no additional lubrication is required. Do not apply lubricant to lift motor lead screws or any nylon nuts or the base may inadvertently creep downward from the elevated position.

LOCATION ENVIRONMENT

The level of sound experienced during operation is directly related to the location environment. For example, when a base is located on a hardwood floor with the massage feature in operation, a vibrating tone will be audible. To minimize this resonance, place a piece of carpet, or rubber caster cups, under each leg or caster of the base.

PRODUCT RATINGS

The base lift motors are not designed for continuous use. Reliable operation and full life expectancy will be realized as long as the lift motor operation does not exceed two (2) minutes over a twenty (20) minute period, or approximately 10% duty cycle. Any attempt to circumvent or exceed product ratings will shorten the life expectancy of the product and may void the warranty.

The recommended maximum weight (including mattress) is 850 lb (385 kg) distributed evenly across the base. This product is not designed to support or lift this amount in the head or foot sections alone. Note: Exceeding the recommended weight restrictions could damage the base and void the warranty.

For best performance, consumers should enter and exit the adjustable base with the base in the flat (horizontal) position. Avoid placing entire weight on head or foot section of the base, including when in the raised position. **DO NOT STAND ON BASE AT ANY TIME.**

UL (Underwriters Laboratories) recognized components.

CFR 1633 approved for use with most mattresses.

Assembled in USA.

ADVISORY

IMPORTANT INFORMATION

SMALL CHILDREN / PETS WARNING

After the base is unboxed, immediately dispose of packaging material as it can smother small children and pets. To avoid injury, children or pets should not be allowed to play under or on the base. Children should not operate this base without adult supervision.

HOSPITAL USE DISCLAIMER

This base is designed for in-home use only. It is not approved for hospital use and does not comply with hospital standards. Do not use this base with tent-type oxygen therapy equipment, or use near explosive gases. Manufacturer makes no representation or warranty that the adjustable base constitutes a medical device or is suitable for medical or therapeutic use.

SERVICE REQUIREMENTS

Service technicians are not responsible for moving furniture, removing headboards and footboards or any items required to perform maintenance on the base. In the event the technician is unable to perform service due to lack of accessibility, the service call will be billed to the purchaser and the service will have to be rescheduled.

PACEMAKER WARNING

This product produces a vibrating sensation. It is possible that individuals with heart-assist pacemakers may experience a sensation similar to exercise. Consult physician for complete information.

LIFTING/LOWERING MECHANISMS

The lift/lower feature will emit a minimal humming sound during operation. This is normal. If excessive noise or vibration is experienced, reverse the movement action (up or down) of the base with the remote control. This should realign the base's activating mechanisms to the proper operational position.

FCC COMPLIANCE

The equipment has been tested and found to comply with the limits for a Class B digital device, pursuant to Part 15 of the FCC Rules. These limits are designed to provide reasonable protection against harmful interference when the equipment is operated in a residential environment. This equipment generates, uses, and can radiate radio frequency energy and, if not installed and used in accordance with the instruction manual, may cause harmful interference to radio communications. However, there is no guarantee that interference will not occur in a particular installation. If this equipment does cause harmful interference to radio or television reception, which can be determined by turning the equipment off and on, the user is encouraged to try to correct the interference by one or more of the following measures:

- Reorient or relocate the receiving antenna.
- Increase the separation between the equipment and receiver.
- Connect the equipment into an outlet on a circuit different from that to which the receiver is connected.
- Consult the dealer or an experienced radio/TV technician for help.

This device complies with Part 15 of the FCC rules. Operation is subject to the following conditions: (1) This device may not cause harmful interference, and (2) this device must accept any interference received, including interference that may cause undesired operation.

FCC Caution: Any changes or modifications not expressly approved by the party responsible for compliance could void the user's authority to operate this equipment.

Radio Frequency = 2.4 GHz.



NATIONWIDE CUSTOMER SERVICE toll free: (844) 335-3372

© Leesa Sleep, LLC 2018

