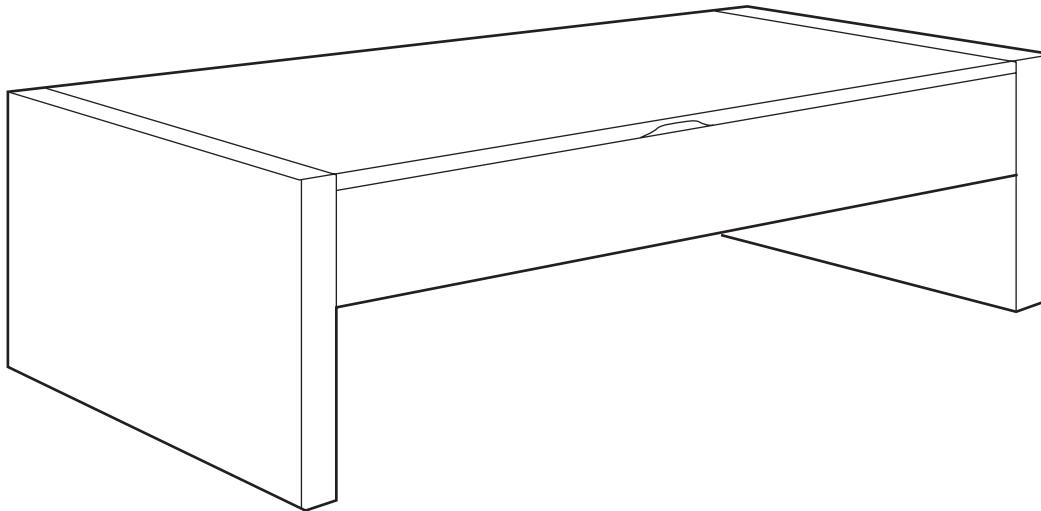


west elm: storage bench

assembly instructions

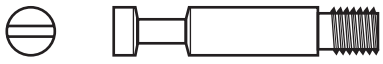
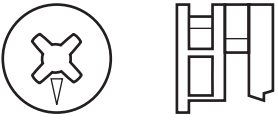




! Tools required: 

! Do not throw away packaging materials until assembly is complete.

! Assemble this item on a soft surface, such as cardboard or carpet, to protect the finish.

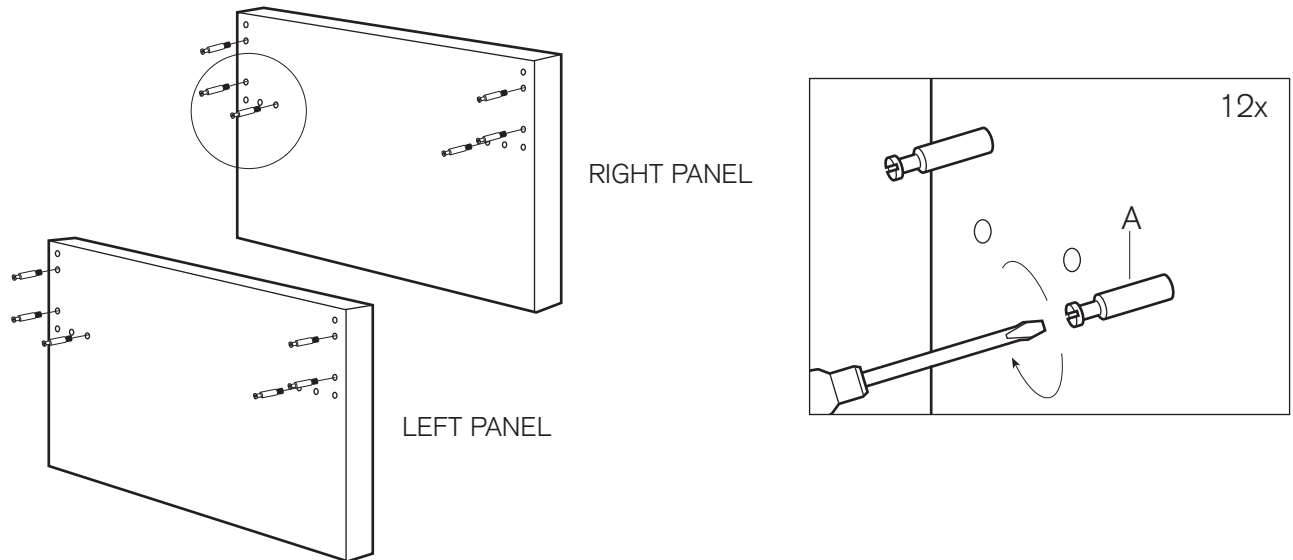
! Proper assembly of this item requires 2 people.

<p>A</p>  <p>cam 20x</p>	<p>B</p>  <p>cam lock 20x</p>
<p>C</p>  <p>wooden dowel 18x</p>	<p>D</p>  <p>screw 10x</p>

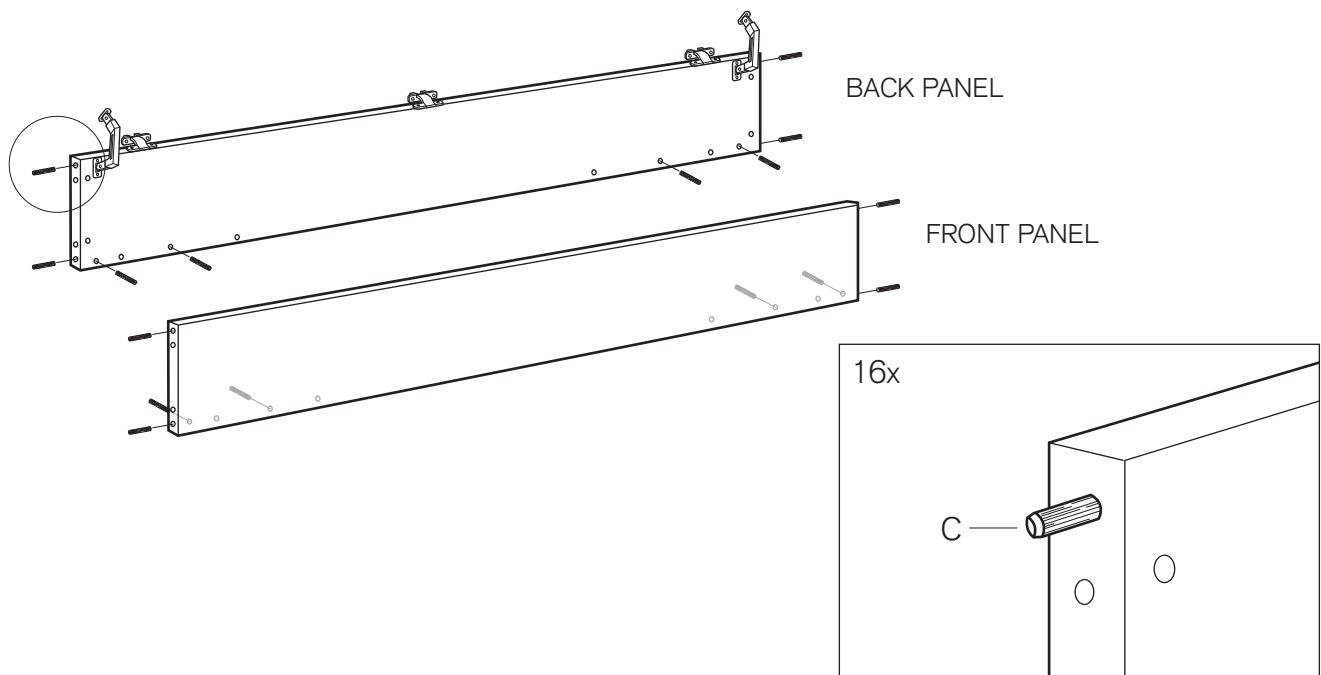
west elm : storage bench

assembly instructions

1. Insert cams (A) into holes on side panels as shown. Tighten with a flat head screwdriver.



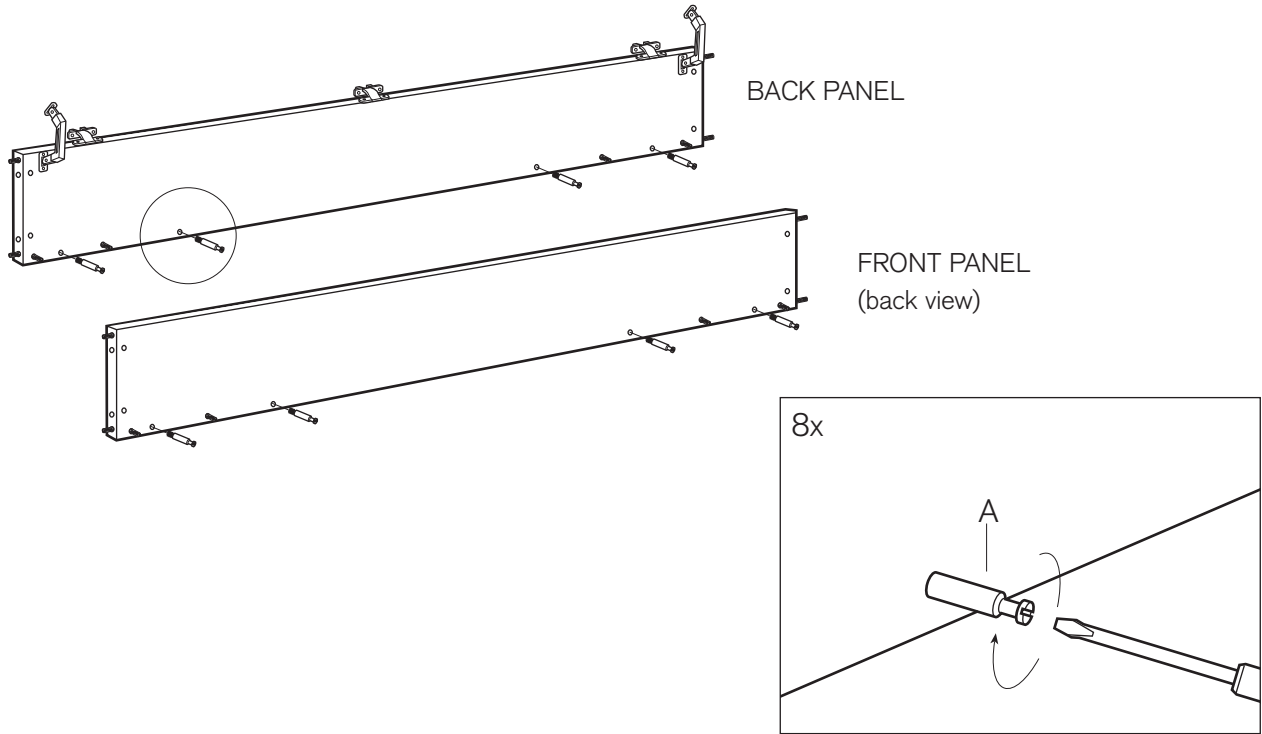
2. Insert wooden dowels (C) into holes on front and back panels as shown.



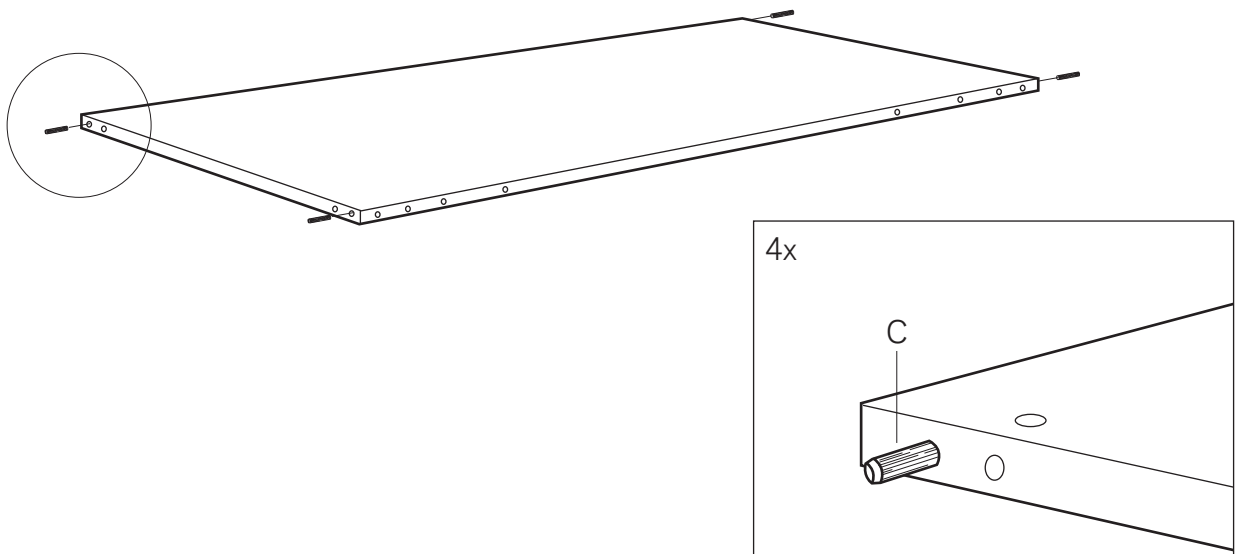
west elm : storage bench

assembly instructions

3. Insert cams (A) into holes on front and back panels as shown. Tighten with a flat head screwdriver.



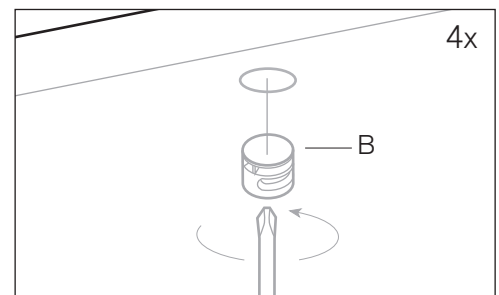
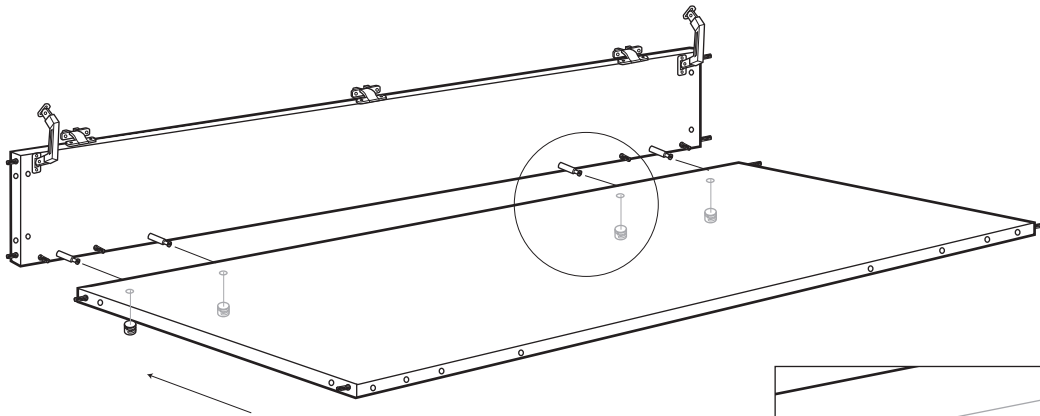
4. Insert wooden dowels (C) into holes on side of bottom panel as shown.



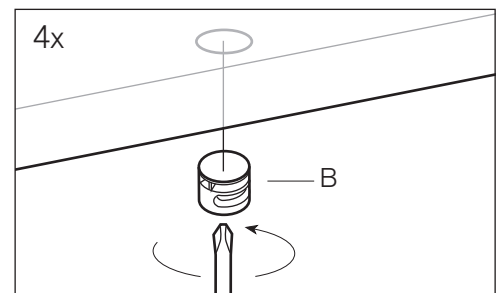
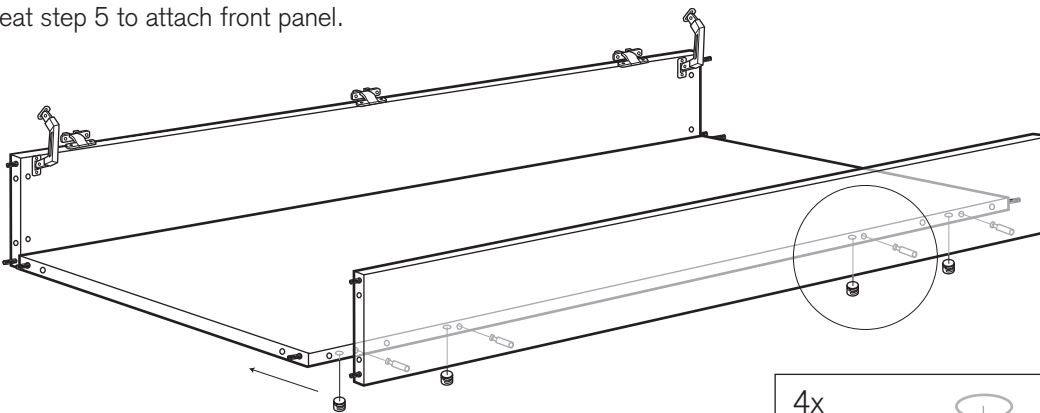
west elm : storage bench

assembly instructions

5. Attach bottom panel to back panel by aligning cams and dowels with holes. Insert cam locks (B) into holes on underside of bottom panel as shown. Tighten with a Philip's head screwdriver.



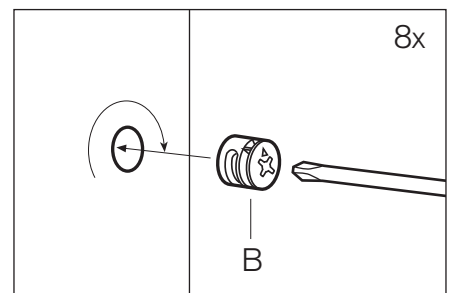
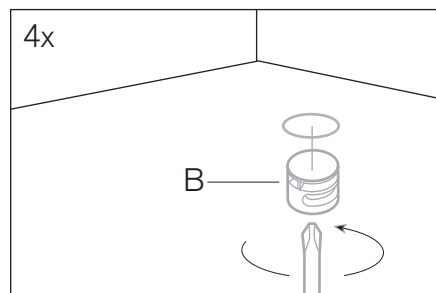
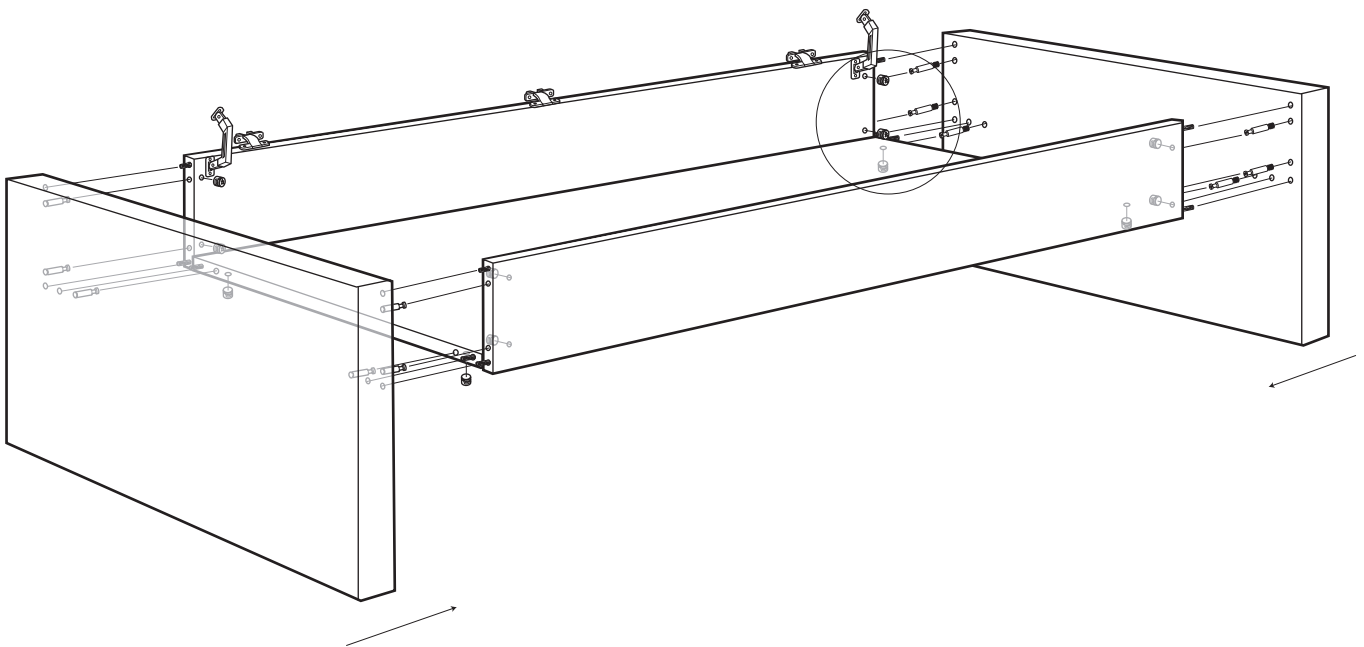
6. Repeat step 5 to attach front panel.



west elm: storage bench

assembly instructions

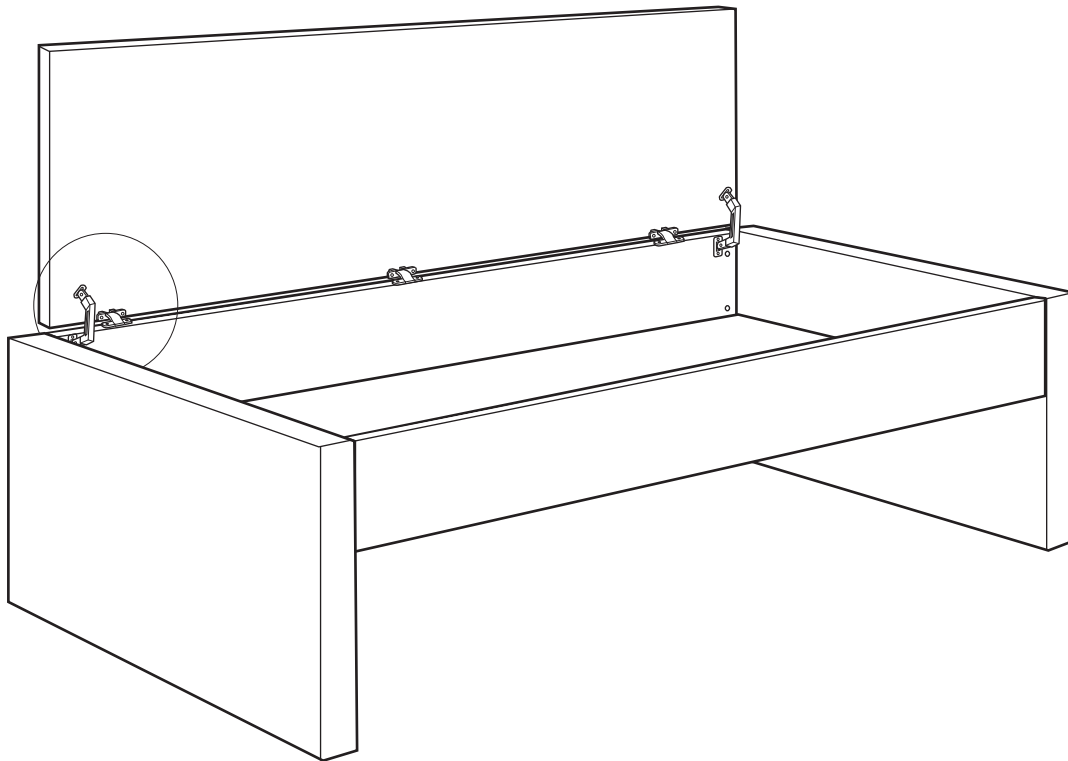
7. Attach side panels by aligning dowels and cams with holes. Insert cam locks (B) into holes on inside of front and back panels and on underside of bottom panel.



west elm : storage bench

assembly instructions

8. Attach lid by inserting screws (D) into holes in the hinges and hinge stays. Tighten with a Philip's head screwdriver.



CARE INSTRUCTIONS.

Hardware may loosen over time. Periodically check that all connections are tight.

Wipe with a soft, dry cloth. To protect the finish, avoid the use of all chemicals and household cleaners.

