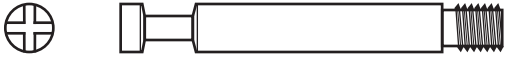
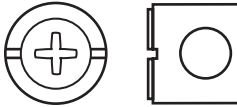
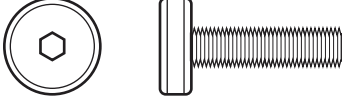
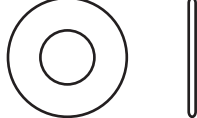



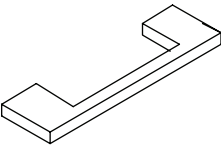




! Tools required: 

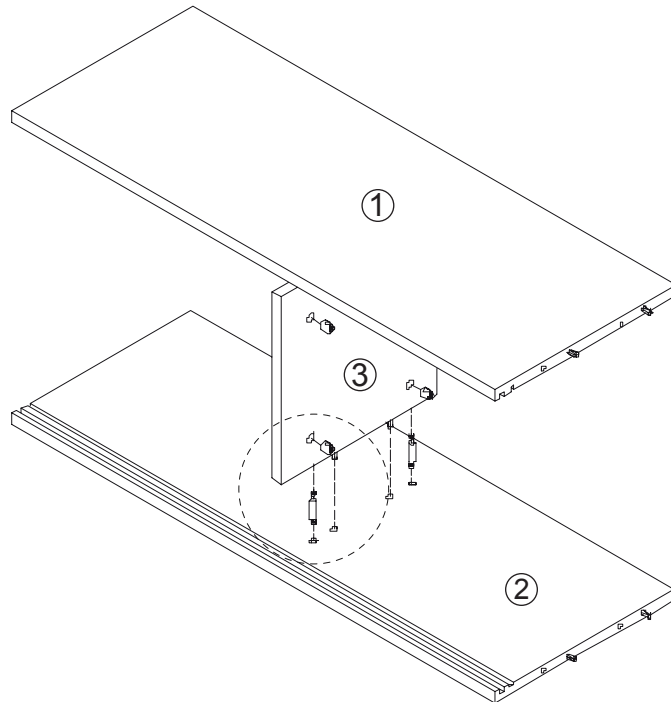
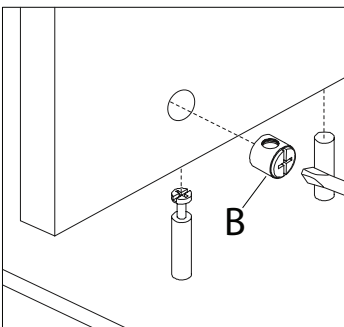
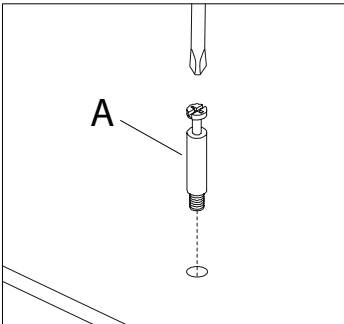
! Do not throw away packaging materials until assembly is complete.

! Assemble this item on a soft surface, such as cardboard or carpet, to protect finish.

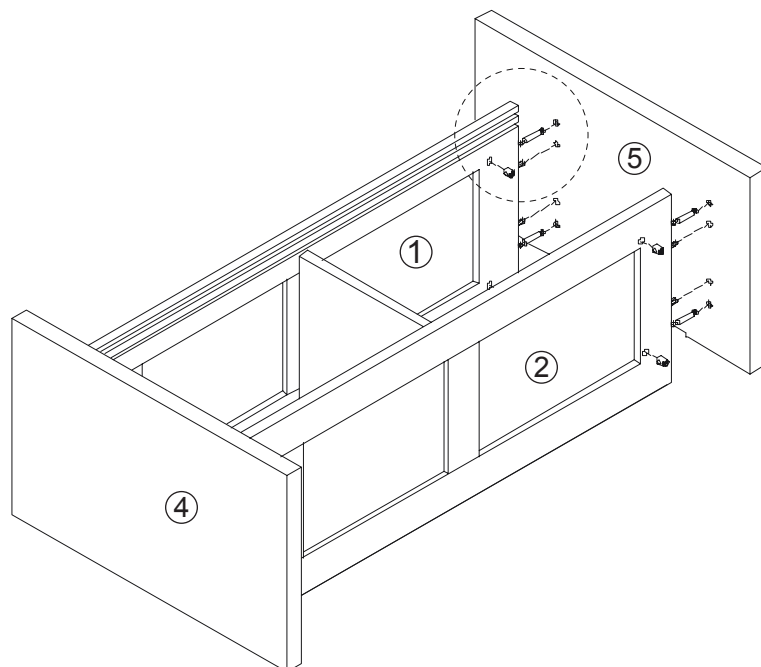
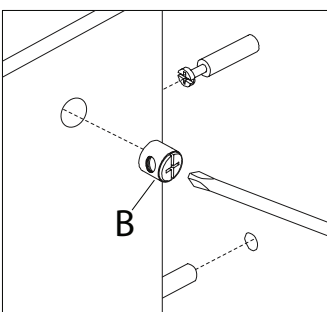
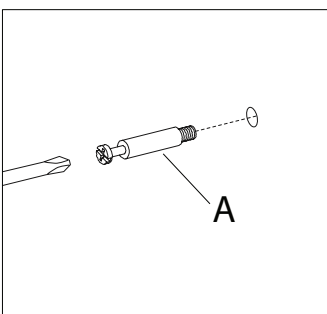
! Proper assembly of this item requires 2 people.

<p>A</p>  <p>cam screw 16x</p>	<p>B</p>  <p>cam lock 16x</p>
<p>C</p>  <p>allen bolt 2x</p>	<p>D</p>  <p>flat washer 2x</p>
<p>E</p>  <p>lock washer 2x</p>	<p>F</p>  <p>short screw 22x</p>
<p>G</p>  <p>shelf support 8x</p>	<p>H</p>  <p>door handle 2x</p>
<p>I</p>  <p>phillips bolt 4x</p>	<p>J</p>  <p>allen key 1x</p>

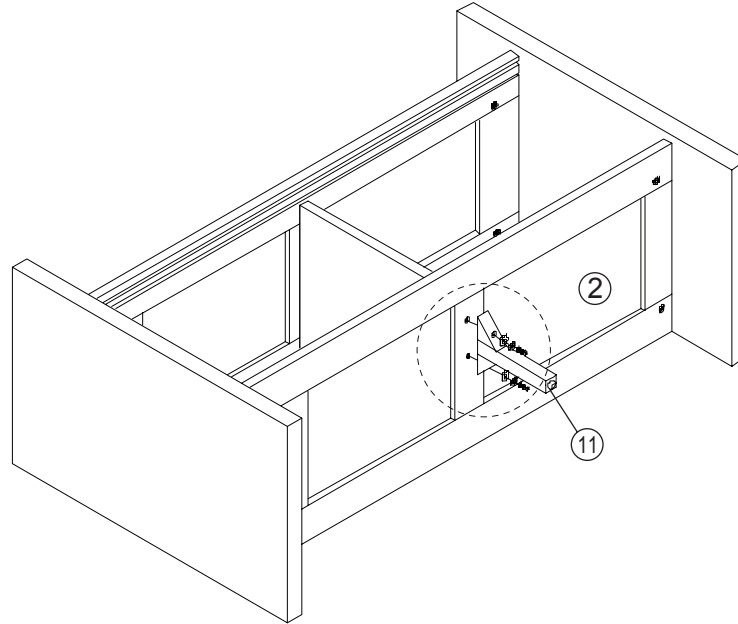
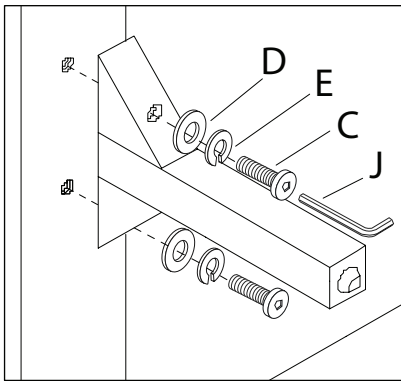
1. Fasten cam screws (A) into shelf and bottom panels as shown.
2. Set cam locks (B) into center panel with the hole oriented towards the outside panel edge as shown. Fit panels together and tighten cam locks using phillips screwdriver.



3. Fasten cam screws (A) into side panels as shown.
4. Set cam locks (B) into top and bottom panels with the hole oriented towards the outside panel edge as shown. Fit panels together and tighten cam locks using phillips screwdriver.

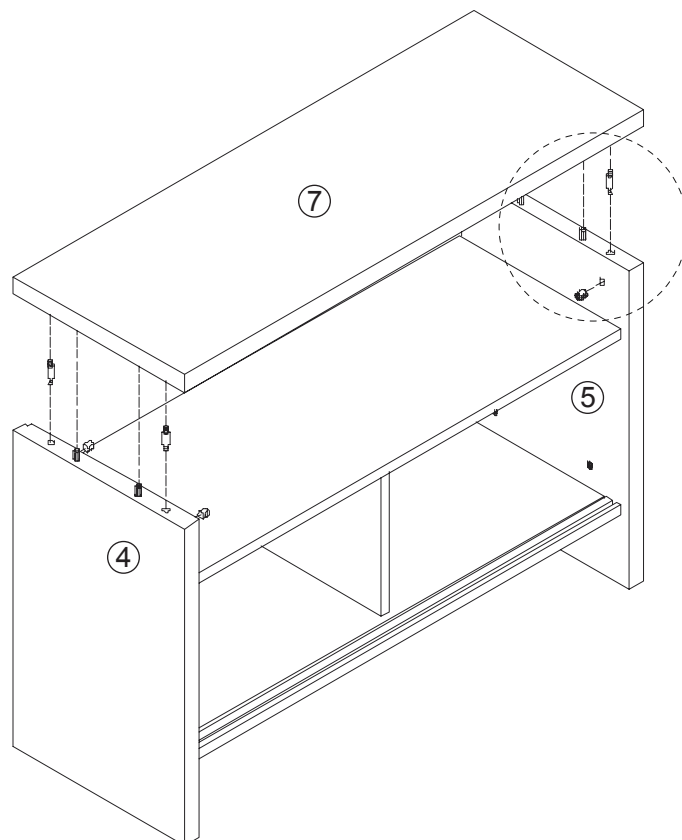
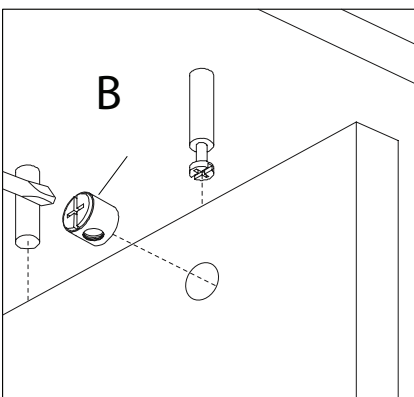
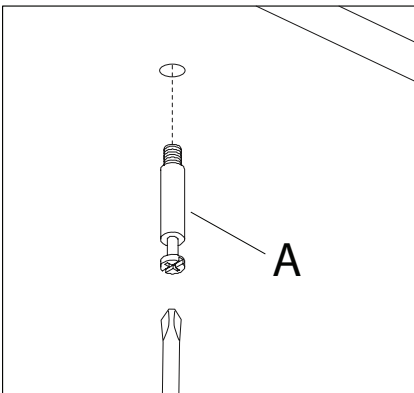


5. Fasten on center leg using flat washers (D), lock washers (E), and allen bolts (C) in order as shown. Tighten allen bolts using allen key (J).

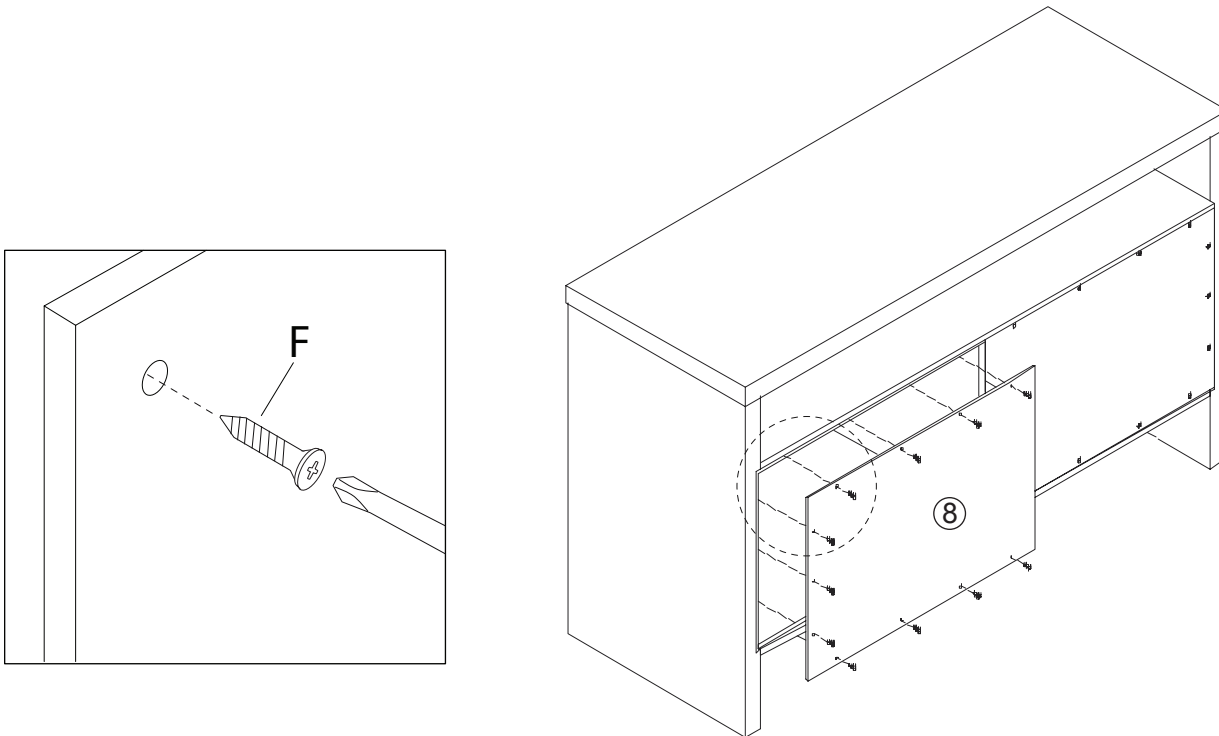


6. Fasten cam screws (A) into top panel as shown.

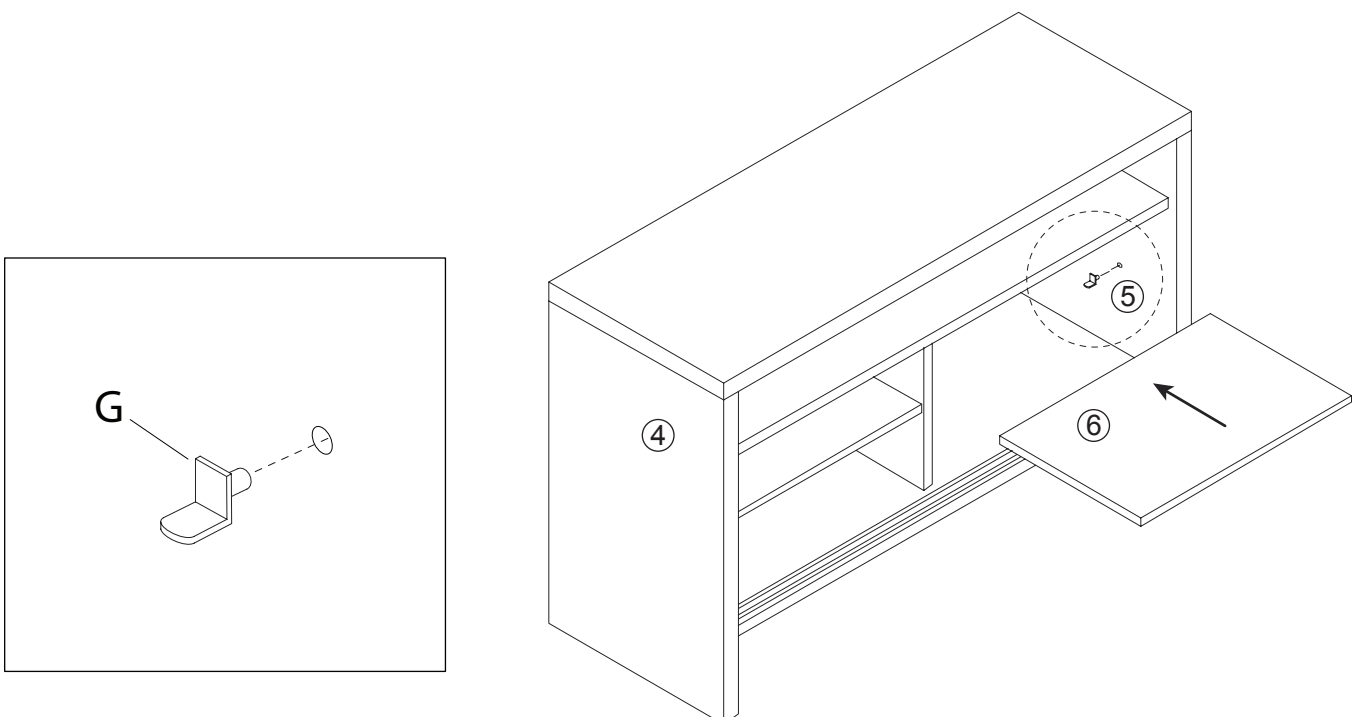
7. Set cam locks (B) into side panels with the hole oriented towards the outside panel edge as shown. Fit panels together and tighten cam locks using phillips screwdriver.



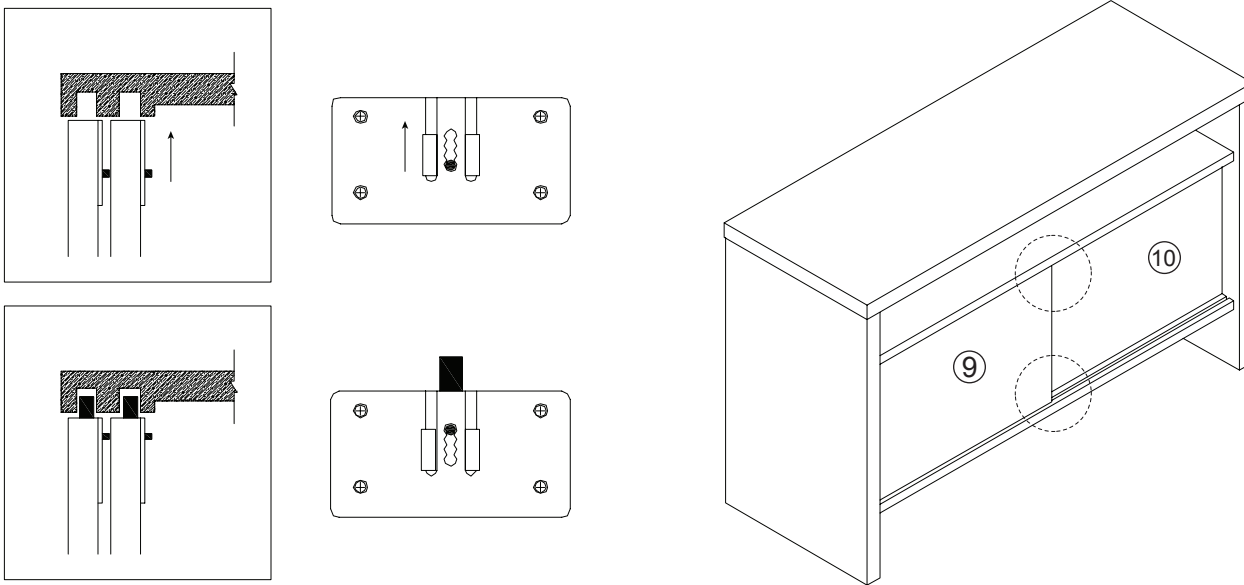
8. Fasten back panels in place using short screws (F). Tighten screws using a phillips screwdriver.



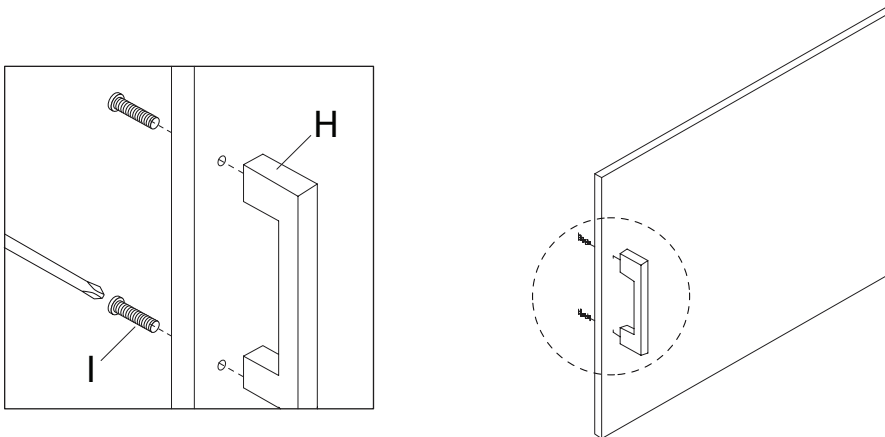
9. Insert shelf supports (G) into holes as shown and set in shelves.



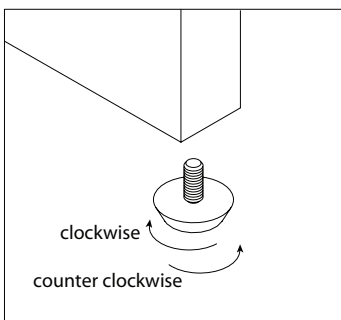
10. Insert sliding door panels and lift switches at top and bottom to engage rollers as shown.



11. Fasten door handles (H) to front doors using phillips bolts (I). Tighten bolts with a phillips screwdriver.



12. Adjust levelers as shown to prevent tipping.



#### CARE INSTRUCTIONS

Hardware may loosen over time. Periodically check that all connections are tight.

Wipe with a soft, dry cloth. To protect finish, avoid the use of chemicals and household cleaners.