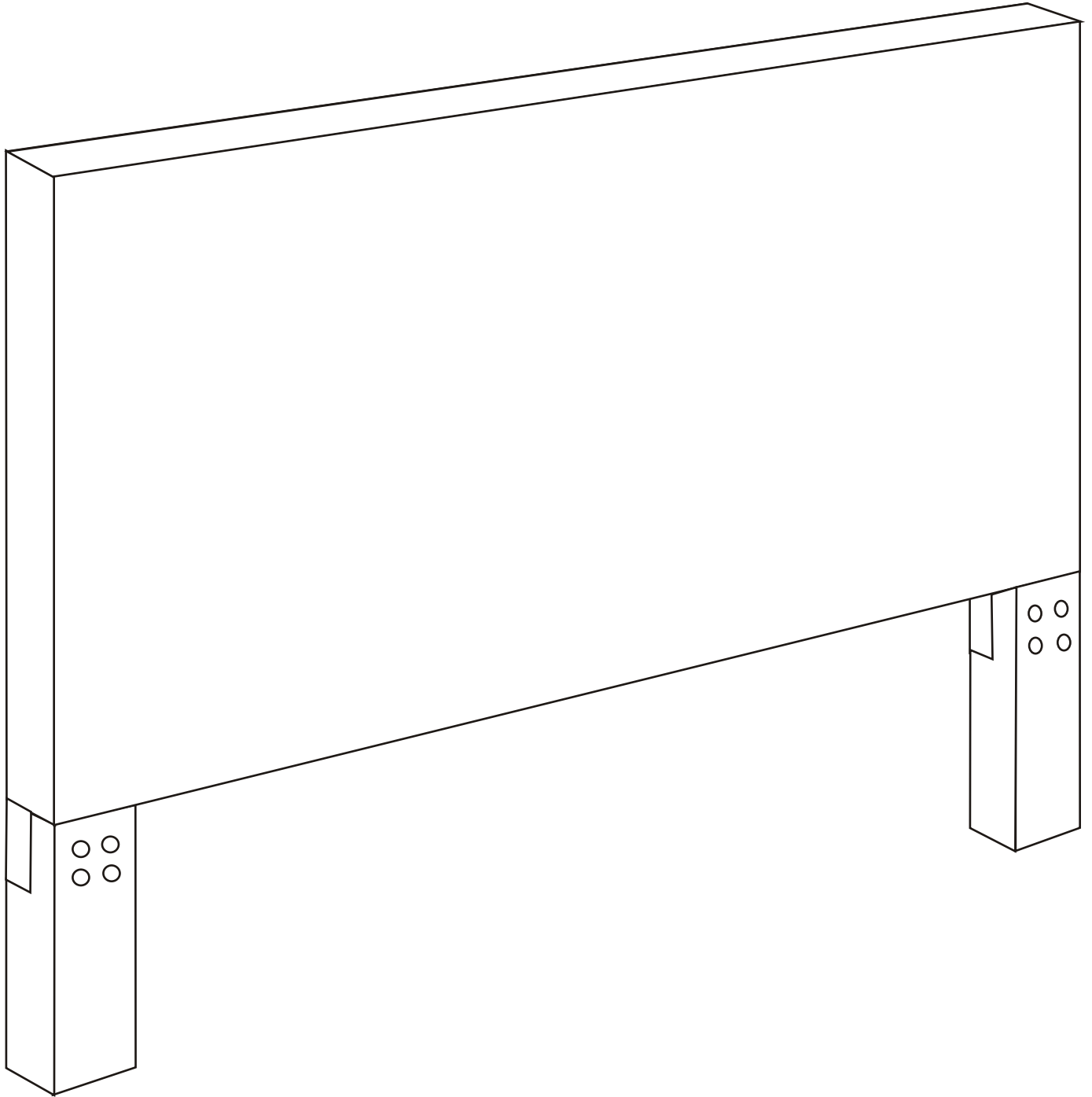


west elm

basket weave headboard

assembly instructions

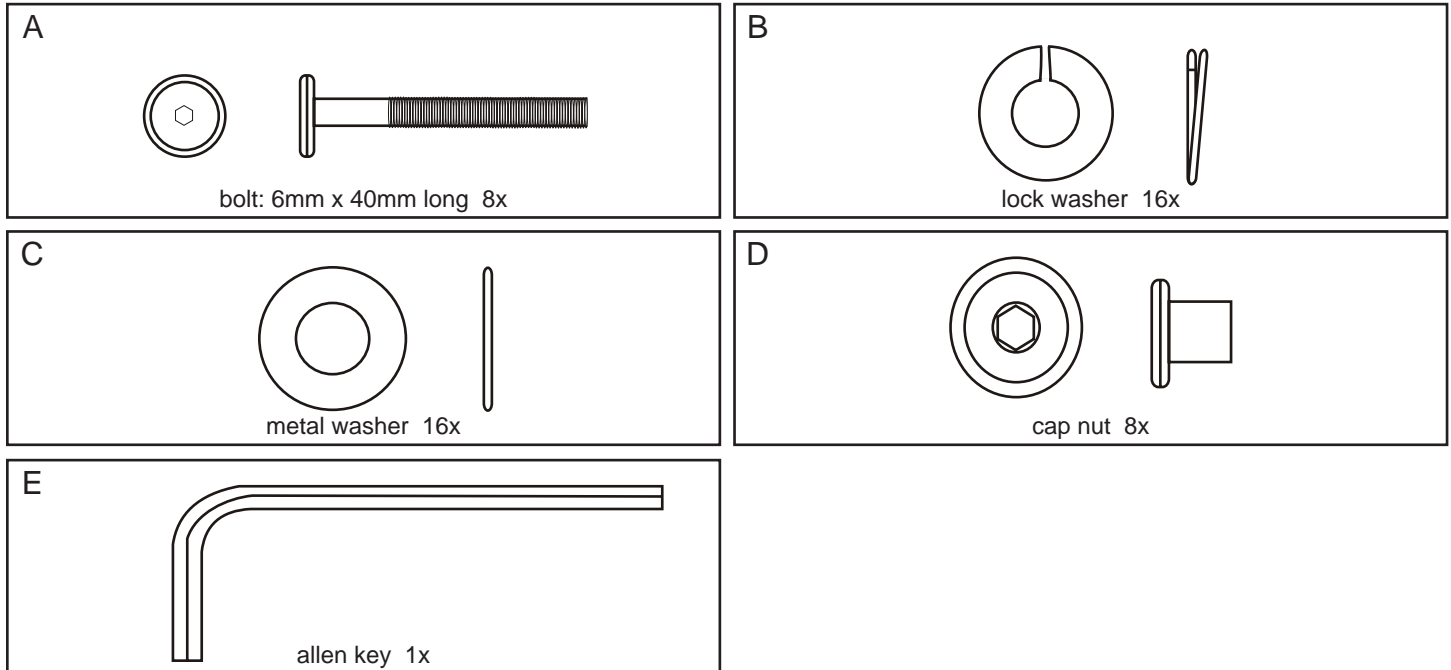


! Do not throw away packaging materials until assembly is complete.

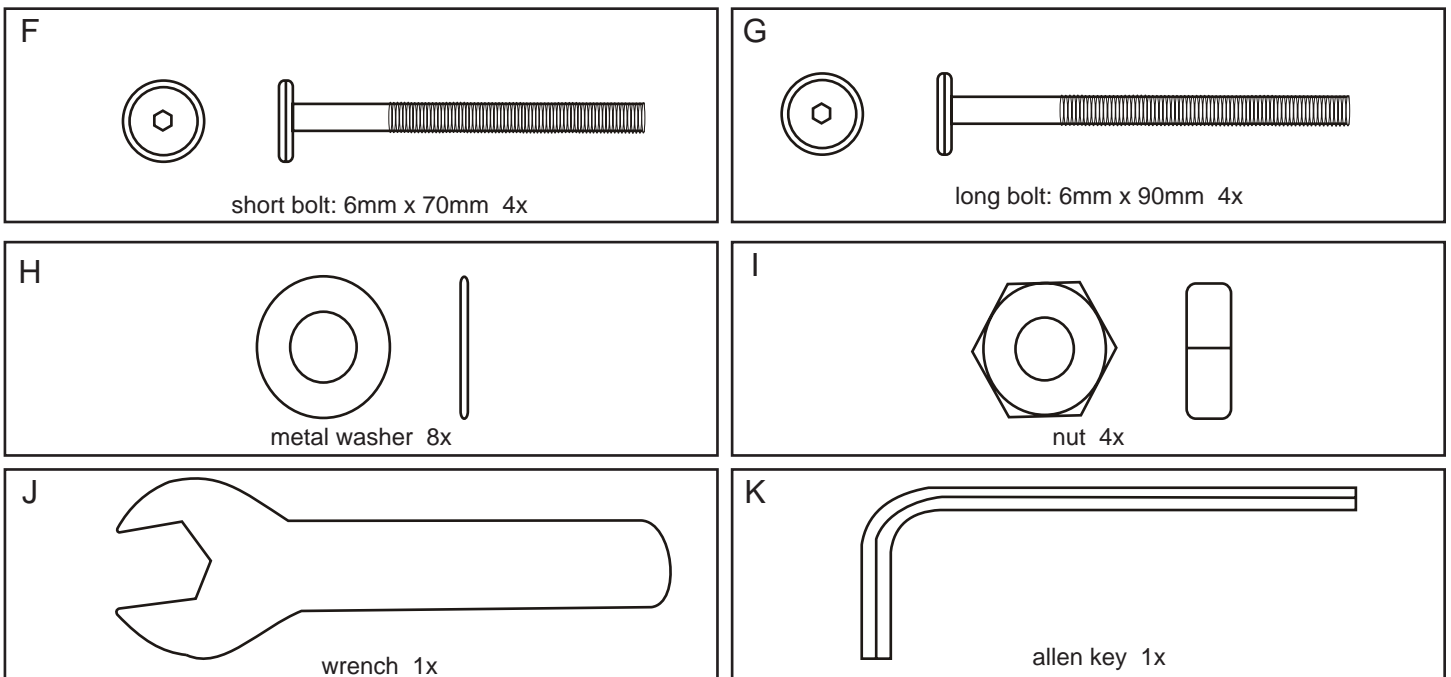
! Assemble this item on a soft surface, such as cardboard or carpet, to protect finish.

! Proper assembly of this item requires 2 people.

Hardware

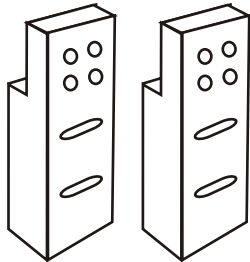


For attaching headboard to bedframe:



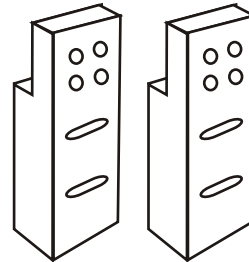
1. Choose the legs to match your bedframe.

For bedframe with mattress only :



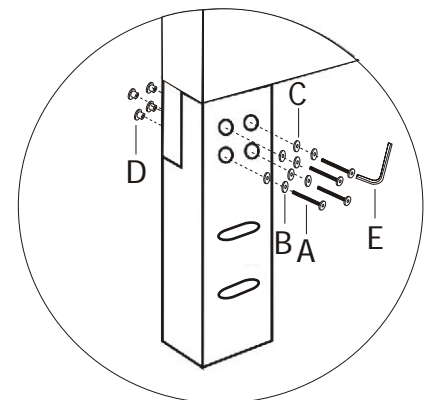
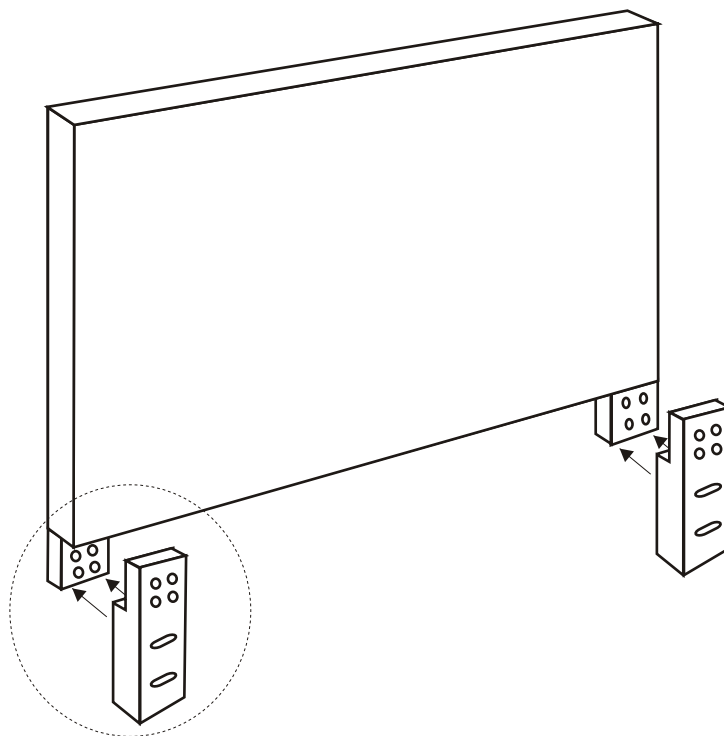
use short legs

For bedframe with boxspring and mattress :



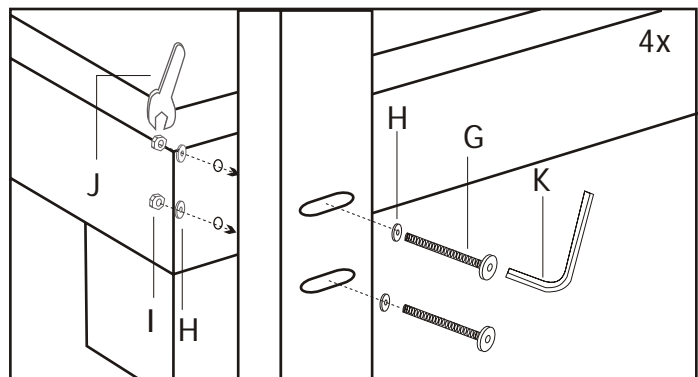
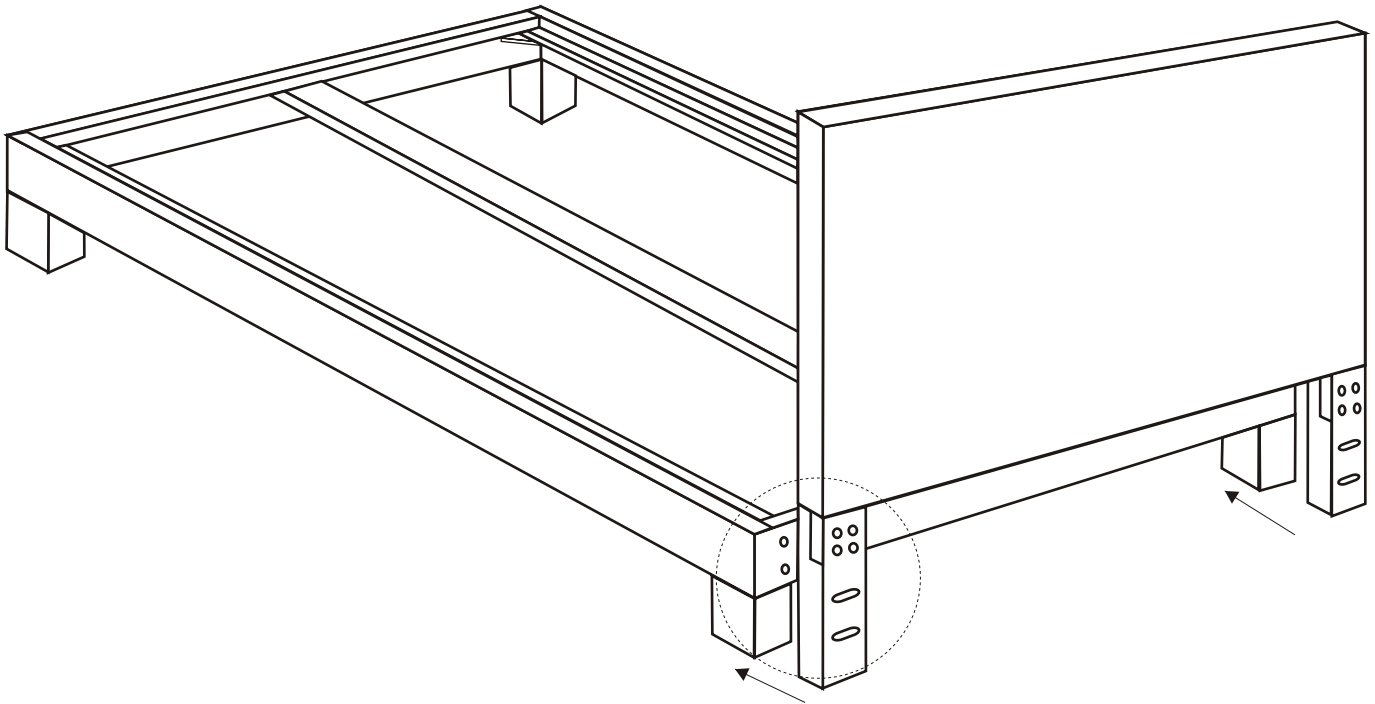
use tall legs

2. Fasten legs to headboard using screws (A), lock washers (B), flat washers (C), and nuts (D) in order as shown. Tighten screws with allen key (E).



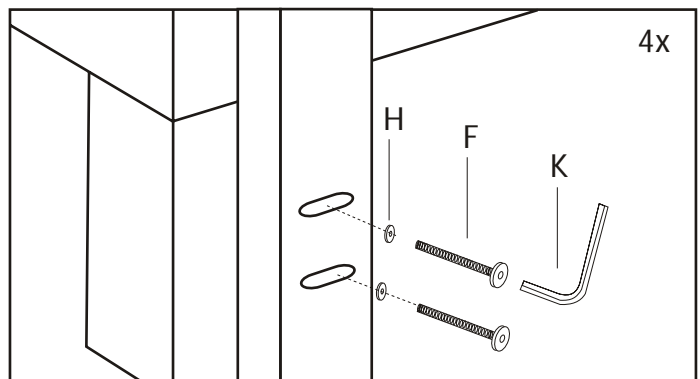
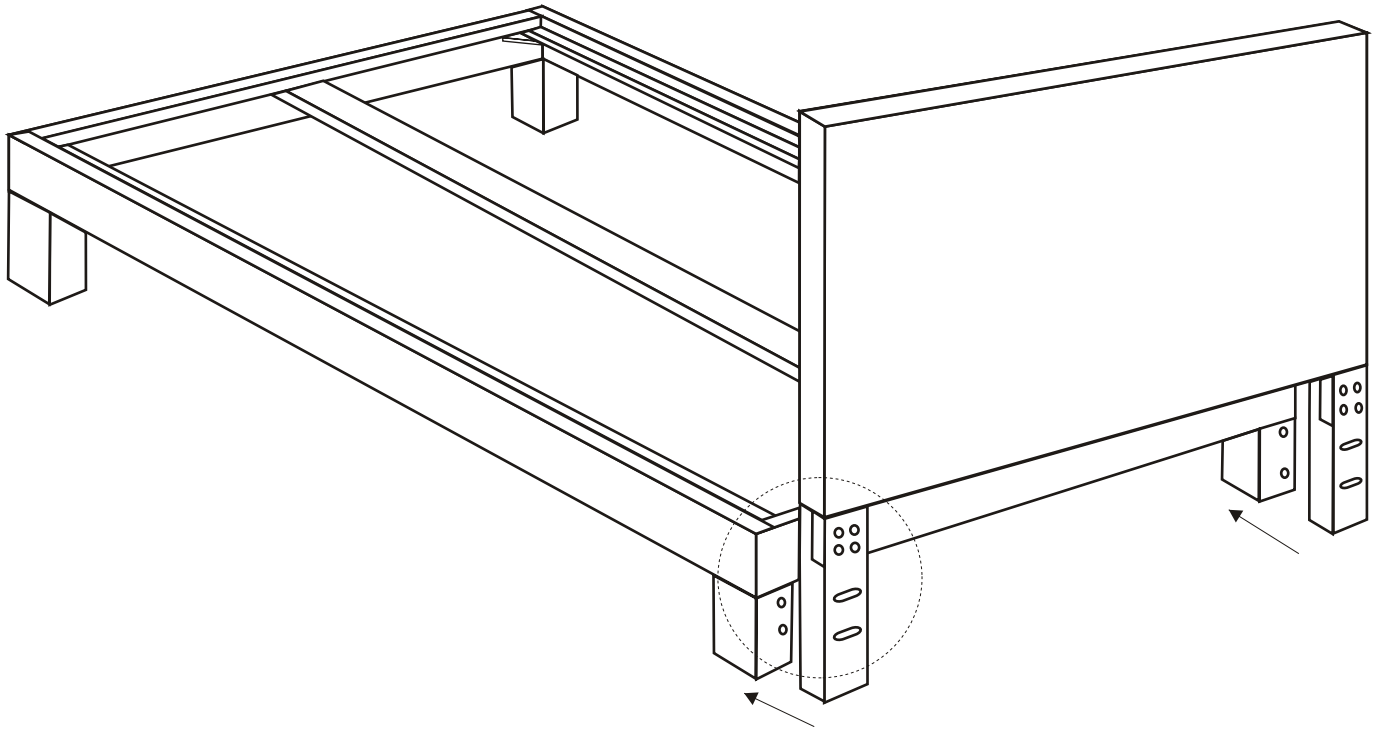
Attaching the headboard to the low wood bedframe:

1. Align hardware as shown and tighten.



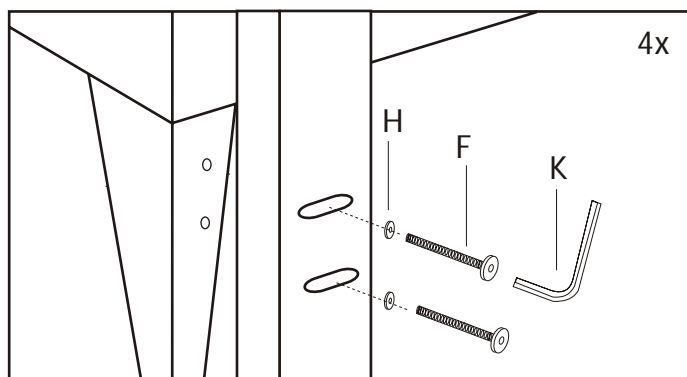
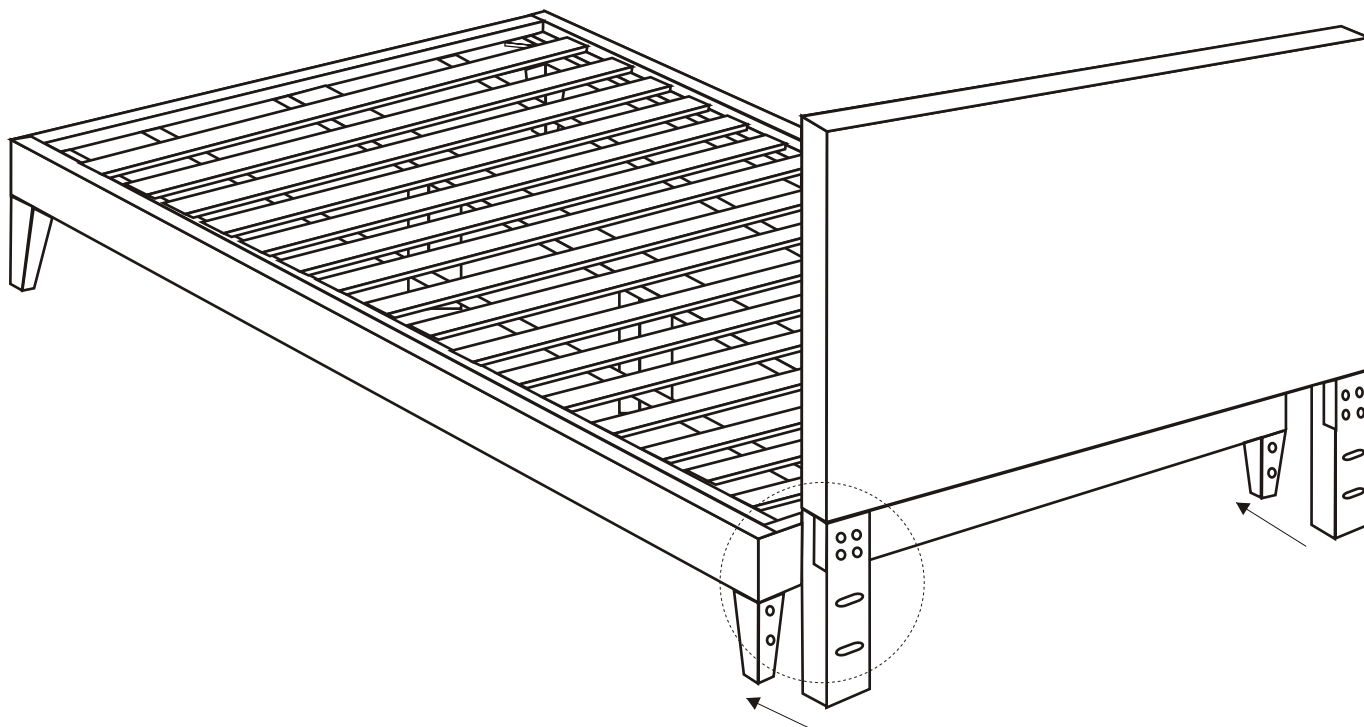
Attaching the headboard to the tall wood bedframe.

1. Align the hardware as shown and tighten.



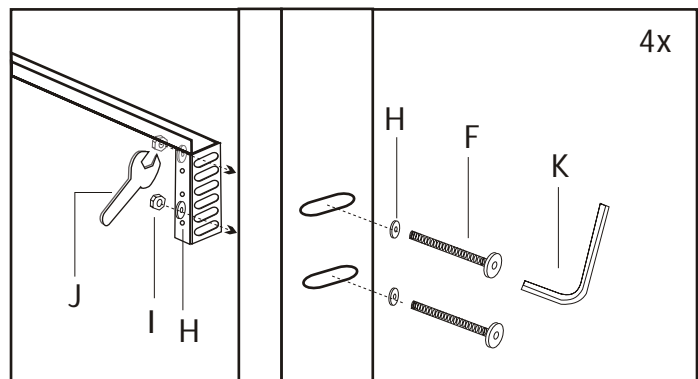
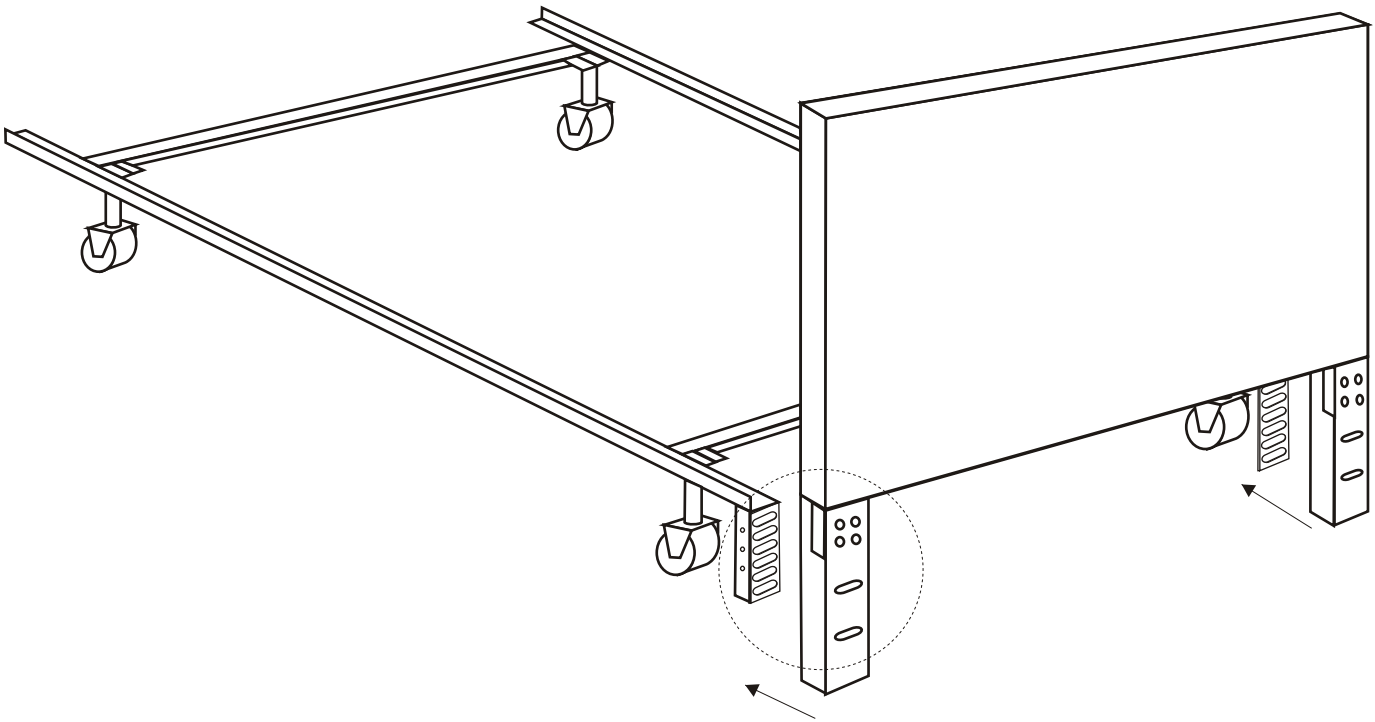
Attaching the headboard to the tapered leg bedframe:

1. Align the hardware as shown and tighten.



Attaching the headboard to bedframe for boxspring and mattress:

1. Align hardware as shown and tighten.



CARE INSTRUCTIONS

Hardware may loosen overtime. Periodically check that all connections are tight.

Wipe with a soft, dry cloth. To protect finish, avoid the use of chemicals and household cleaners.