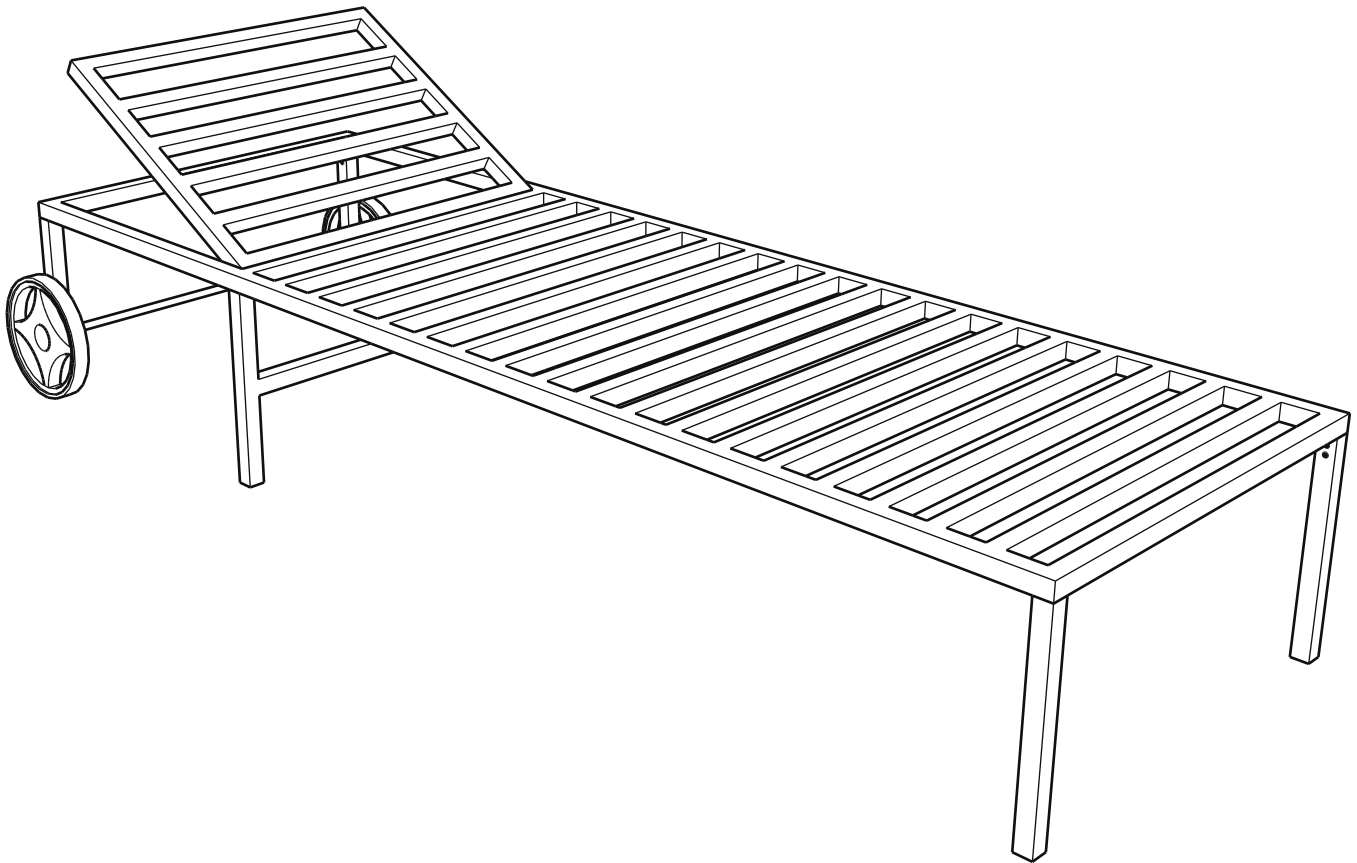








# west elm : square metal lounger

assembly instructions



! Do not throw away packaging materials until assembly is complete.

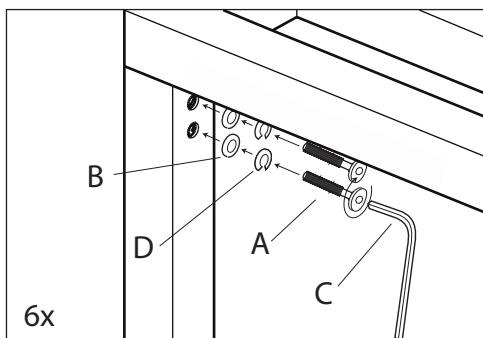
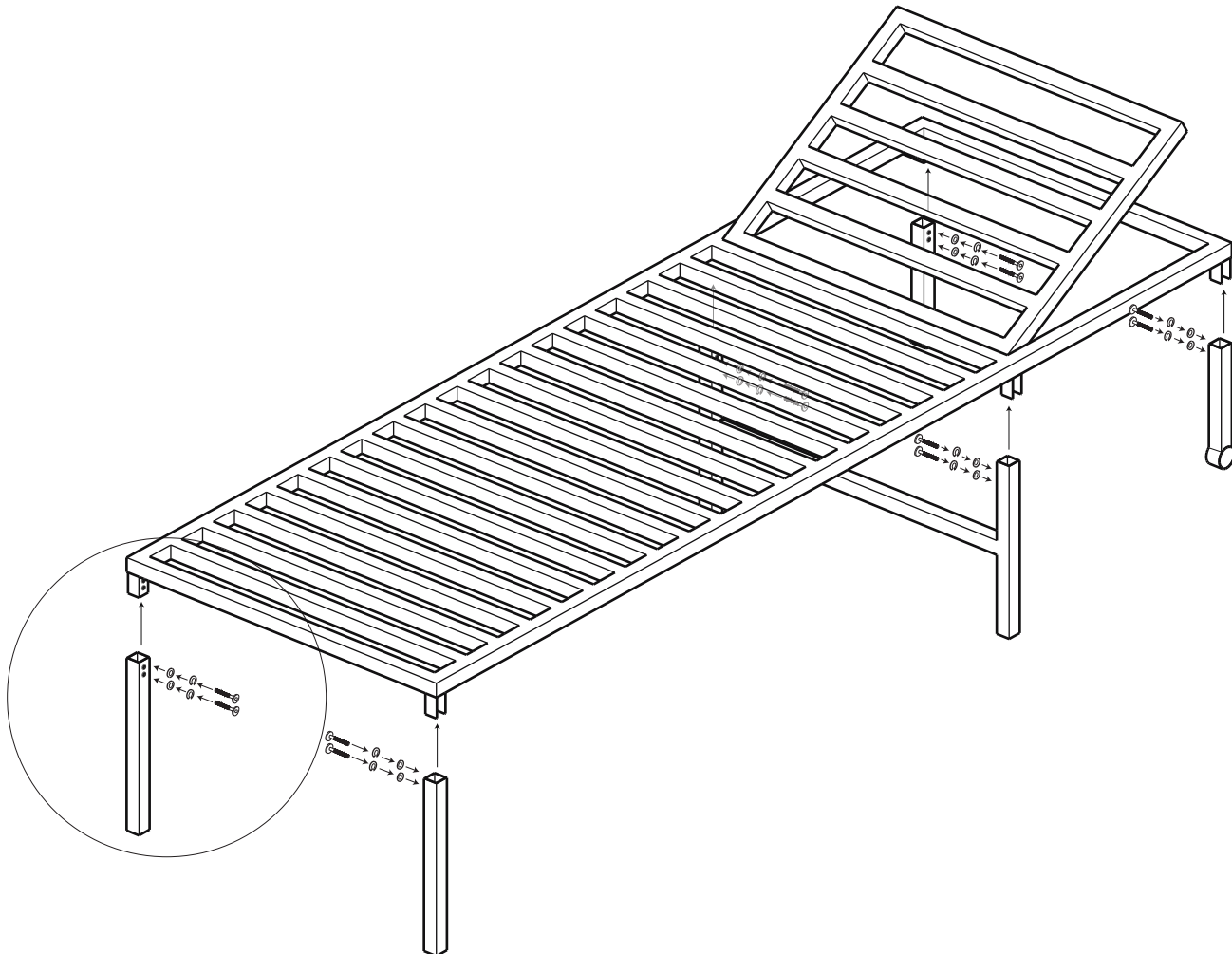
! Assemble this item on a soft surface, such as cardboard or carpet, to protect the finish.

<p>A</p>  <p>long bolt: 1/4" dia x 1/2" 12x</p>	<p>B</p>   <p>metal washer 12x</p>
<p>C</p>  <p>allen key 1x</p>	<p>D</p>   <p>lock washer 12x</p>

# west elm : square metal lounger

## assembly instructions

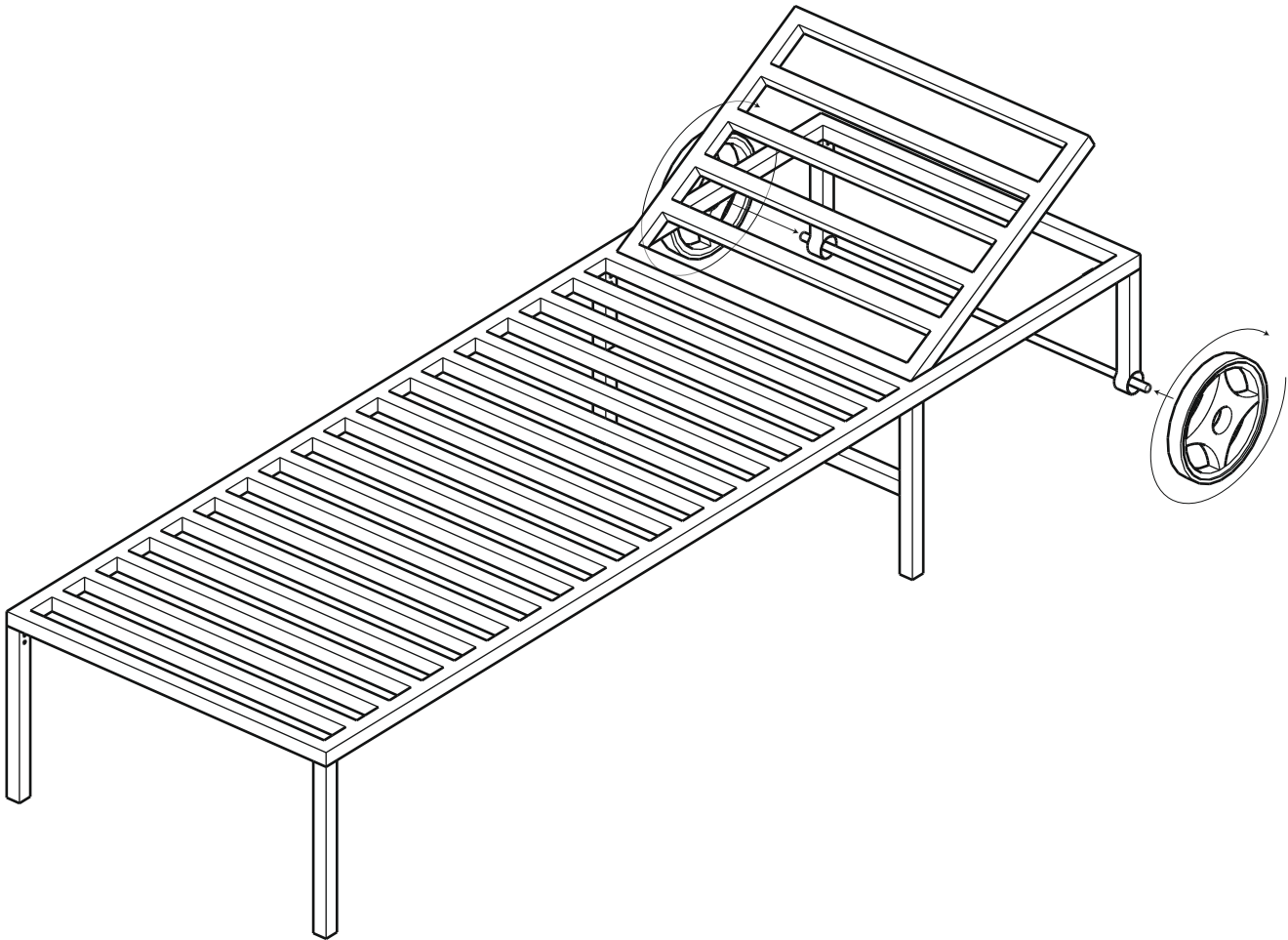
1. Aligning the legs with the supports underneath the seat, insert bolt (A) with lock washer (D) and metal washer (B) through pre-drilled holes in legs into pre-drilled holes in supports as shown. Tighten using allen key (C).



# west elm : square metal lounger

## assembly instructions

2. To attach, slide wheel onto wheel axle as shown. Turn and tighten by hand.



### CARE INSTRUCTION

Hardware may loosen over time. Periodically check that all connections are tight.

Wipe with a soft, dry cloth. To protect finish, avoid the use of chemicals and household cleaners.