

west elm : rolling storage unit — 4x1

assembly instructions

CAUTION

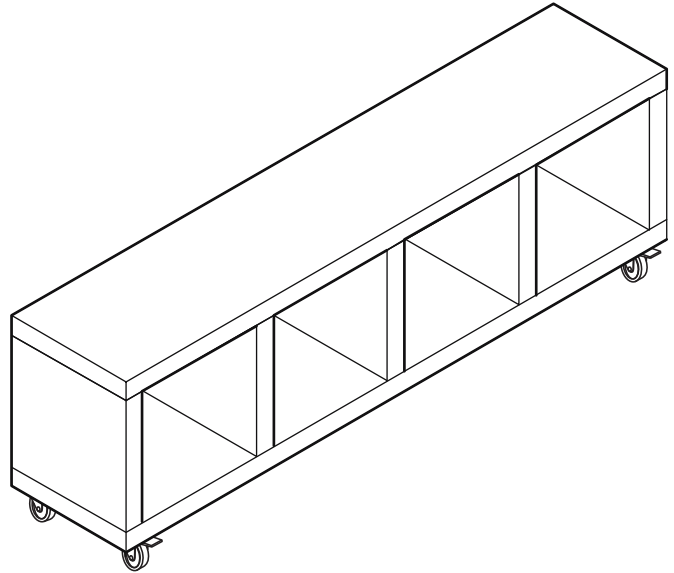
The top shelf of this cart/stand is intended for use with: Plasma/HD televisions having a maximum screen size of 37 inches and weight of 90 lbs; or Tube televisions having a maximum screen size of 27 inches and weight of 95 lbs.

All other support shelves should not be loaded more than 25 lbs.

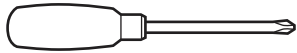
DO NOT EXCEED RECOMMENDED LOAD. Use with products heavier than the maximum sizes and weights indicated may result in instability causing possible injury.

This unit contains a permanent sticker located either beneath top shelf or inside drawer.

Do not allow children under 16 years to move cart.

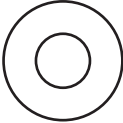

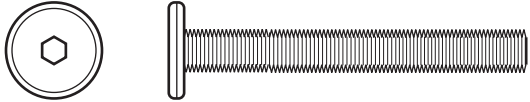

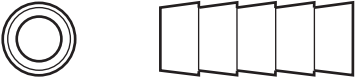
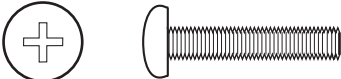
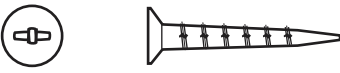


! Tools required:



! Do not throw away packaging materials until assembly is complete.

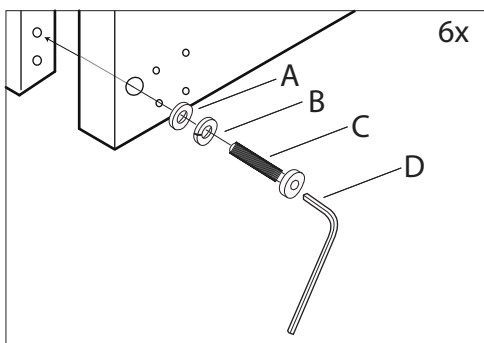
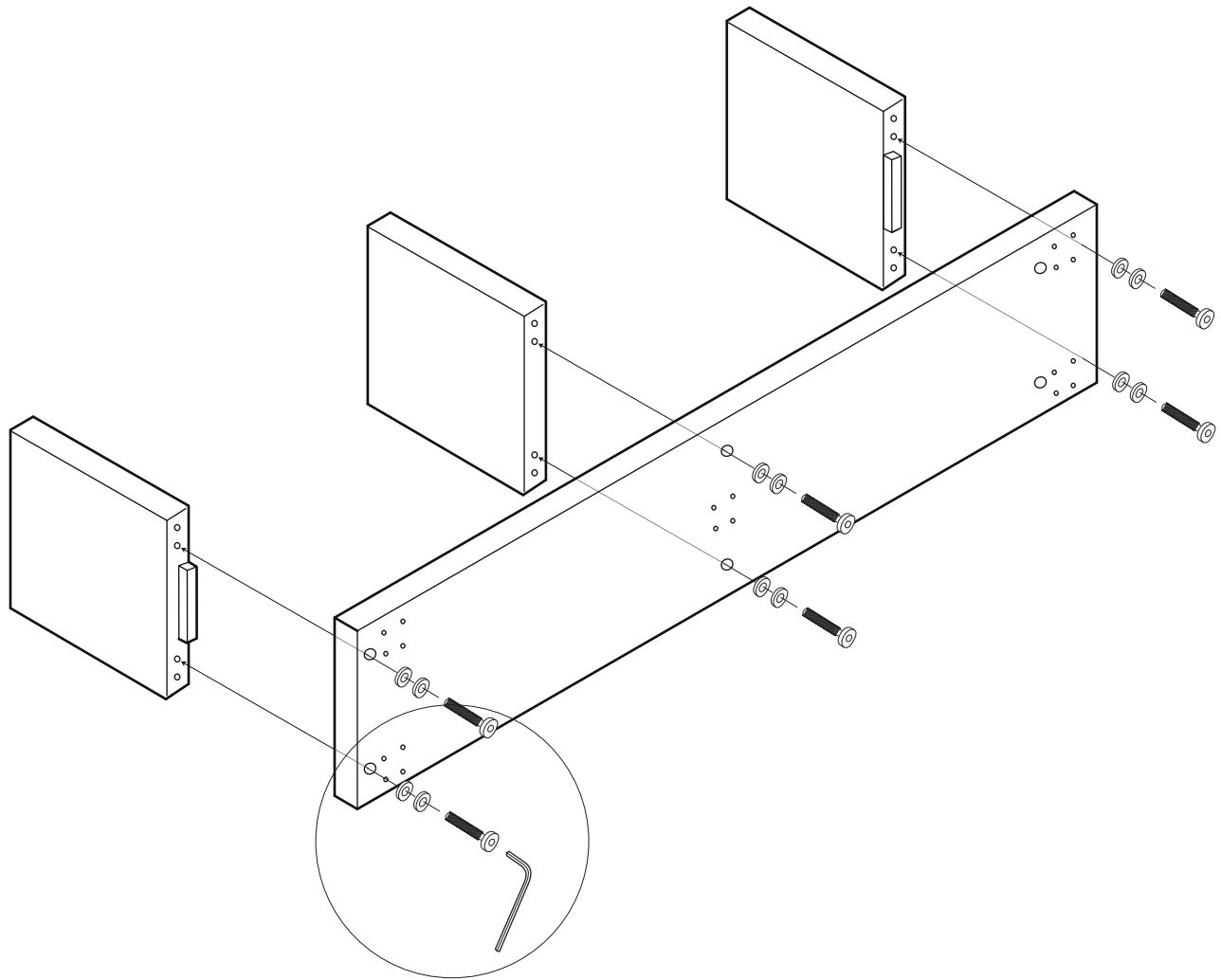
! Assemble this item on a soft surface, such as cardboard or carpet, to protect the finish.

<p>A</p>  <p>metal washer 6x</p>	<p>B</p>  <p>lock washer 6x</p>	<p>C</p>  <p>bolt: 5/16"DIA x 5" 6x</p>
<p>D</p>  <p>allen key 1x</p>	<p>E</p>  <p>permanent snap-lock 5x</p>	
<p>F</p>  <p>screw: 1/4"DIA X 1 3/4" 5x</p>		<p>G</p>  <p>screw: 5/16"DIA x 1" 20x</p>

west elm : rolling storage unit — 4x1

assembly instructions

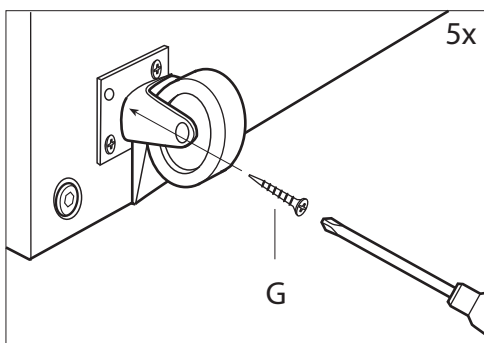
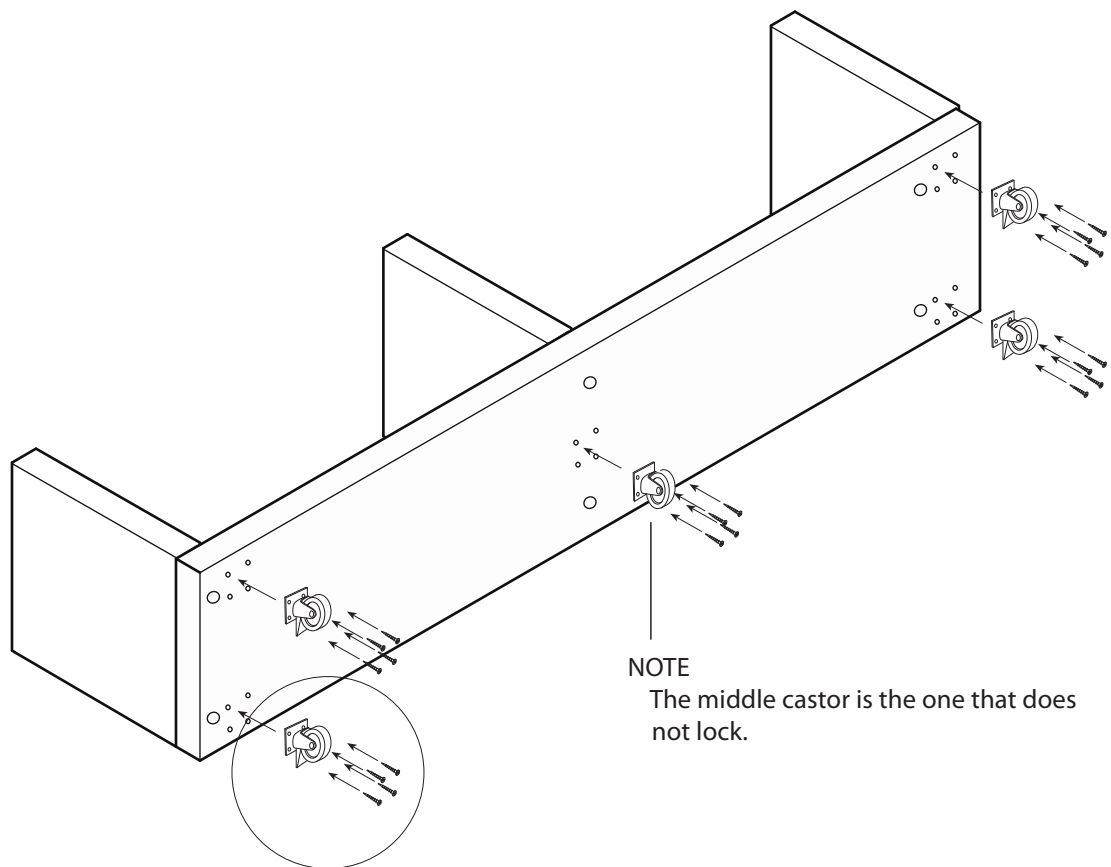
1. Arrange verticle side panels with the raised notch towards center as shown. Attach verticle panels to bottom panel by inserting metal washer (A) and lock washer (B) with bolt (C). Insert into pre-drilled hole as shown. Tighten with allen key (D).



west elm : rolling storage unit — 4x1

assembly instructions

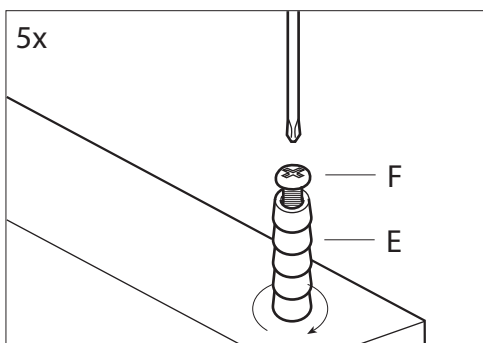
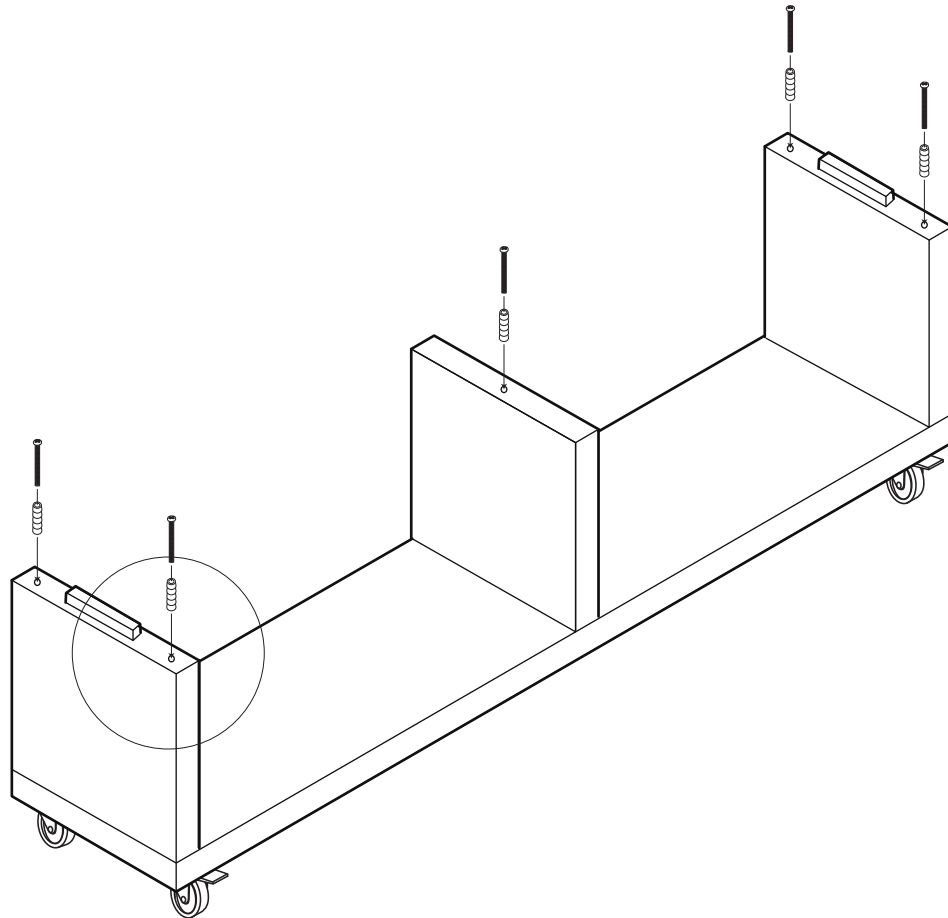
2. (OPTIONAL) Attach the five casters to the bottom panel with screws (G). Tighten with a Phillips head screwdriver.



west elm : rolling storage unit — 4x1

assembly instructions

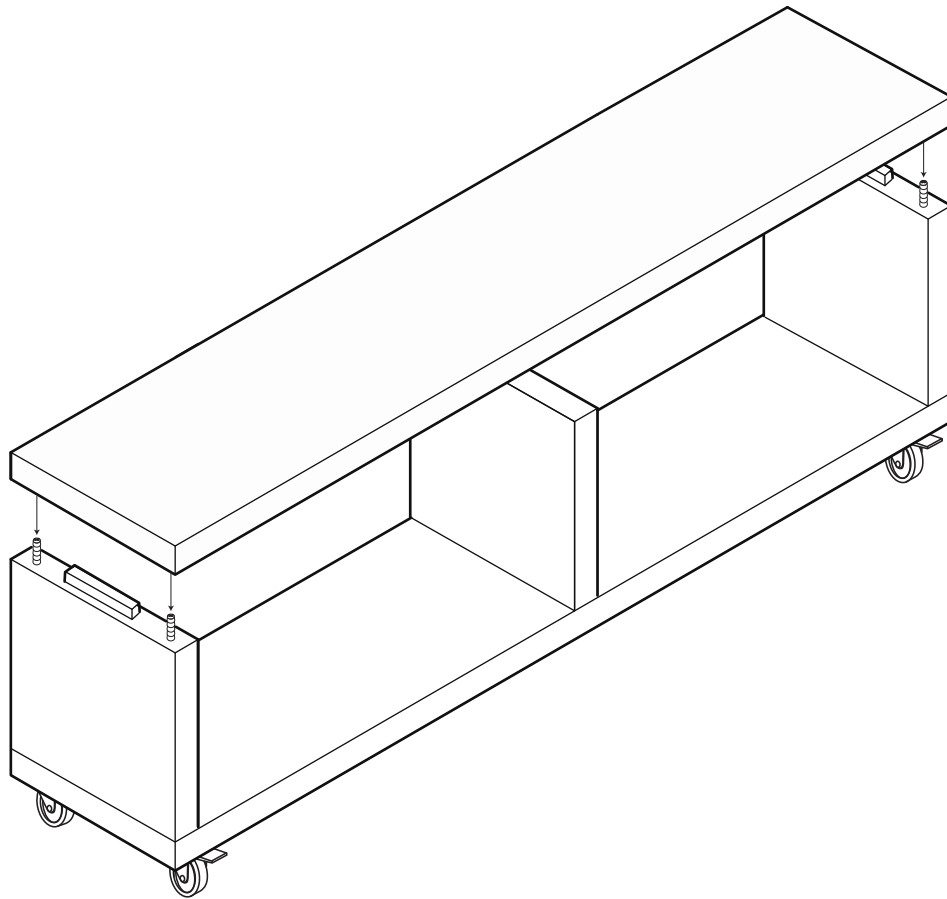
3. Insert screw (F) through permanent snap-lock (E) into holes on top of vertical panels as shown. Tighten with a Phillips head screwdriver.



west elm : rolling storage unit — 4x1

assembly instructions

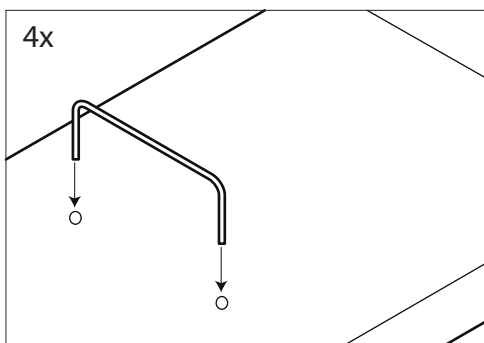
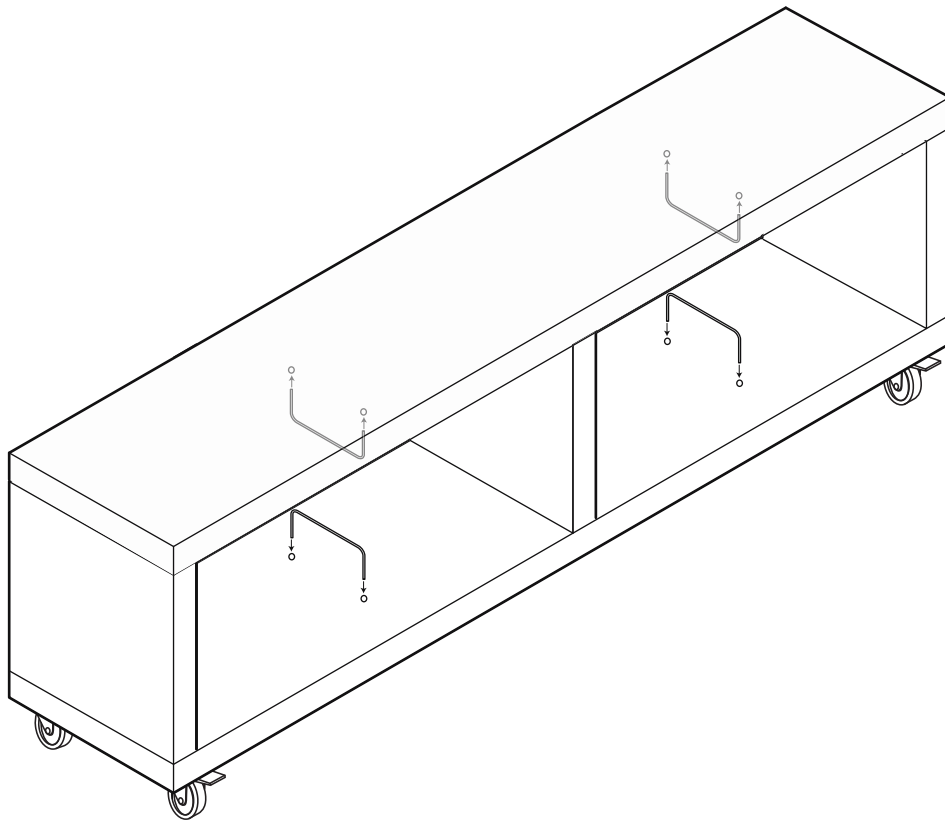
4. Align holes on bottom of top panel with permanent snap-locks on top of verticle panels. Press firmly to secure.



west elm : rolling storage unit — 4x1

assembly instructions

5. (OPTIONAL) Insert wire panel supports into holes in top of bottom panel, and bottom of top panel as shown. Press firmly to secure.



west elm : rolling storage unit — 4x1

assembly instructions

6. (OPTIONAL) Align channel in remaining vertical boards with wire guides. Slide into place.

