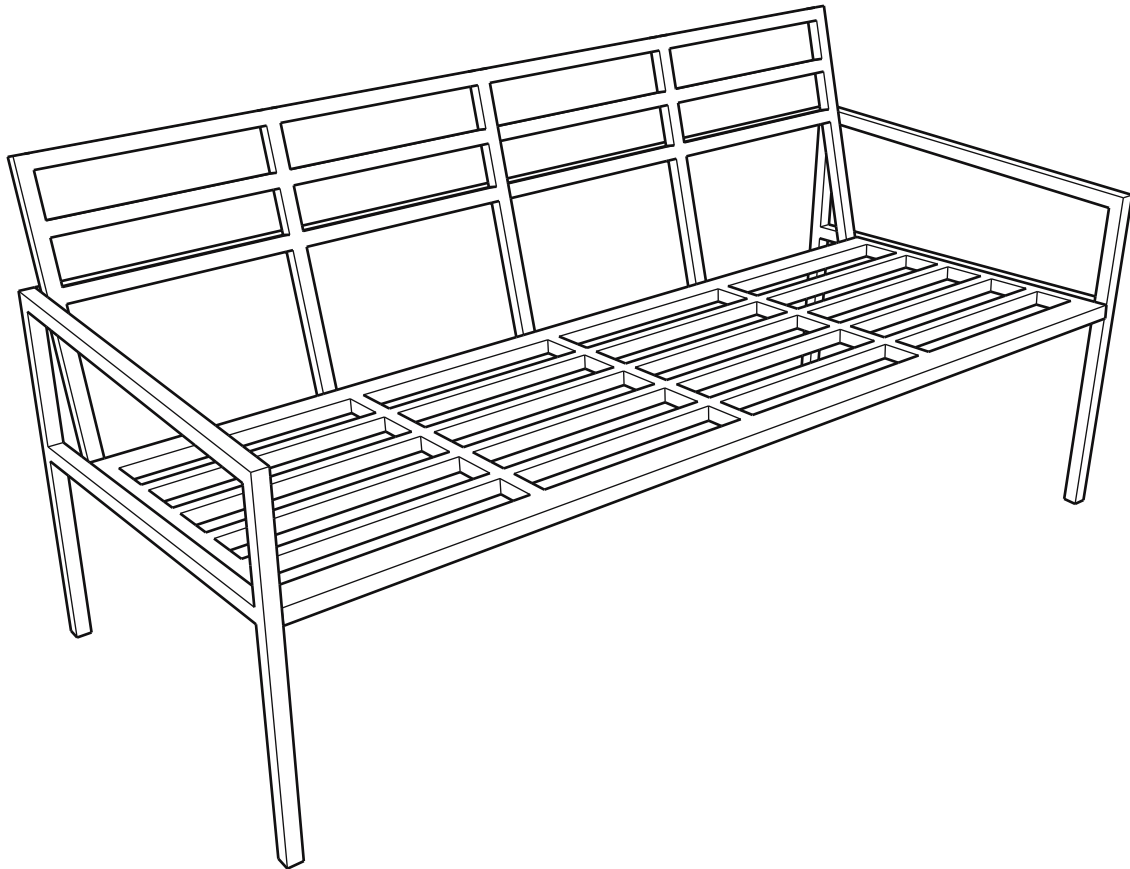


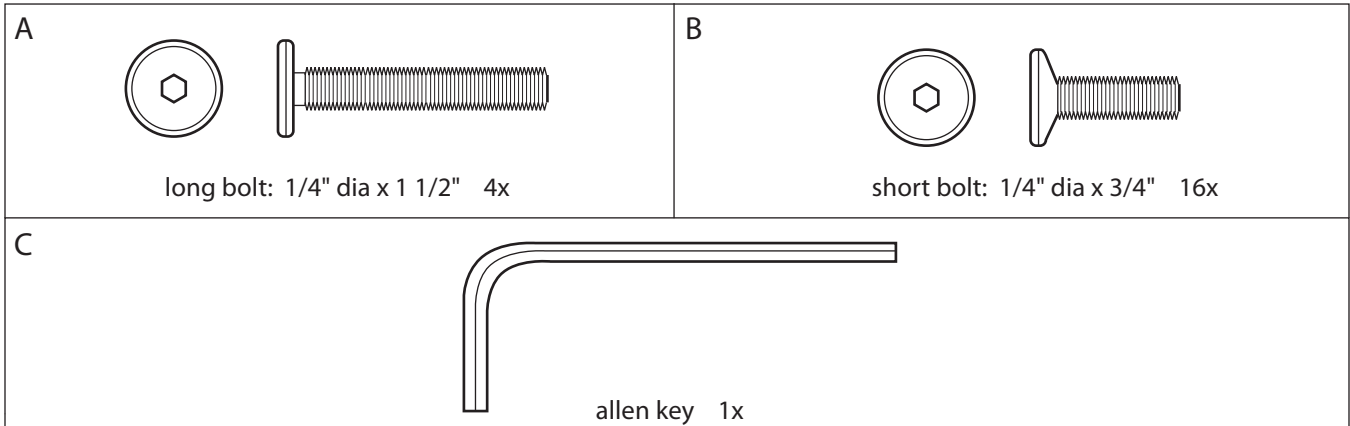
west elm : square metal sofa

assembly instructions



! Do not throw away packaging materials until assembly is complete.

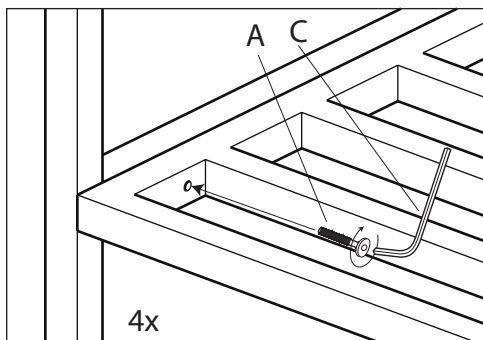
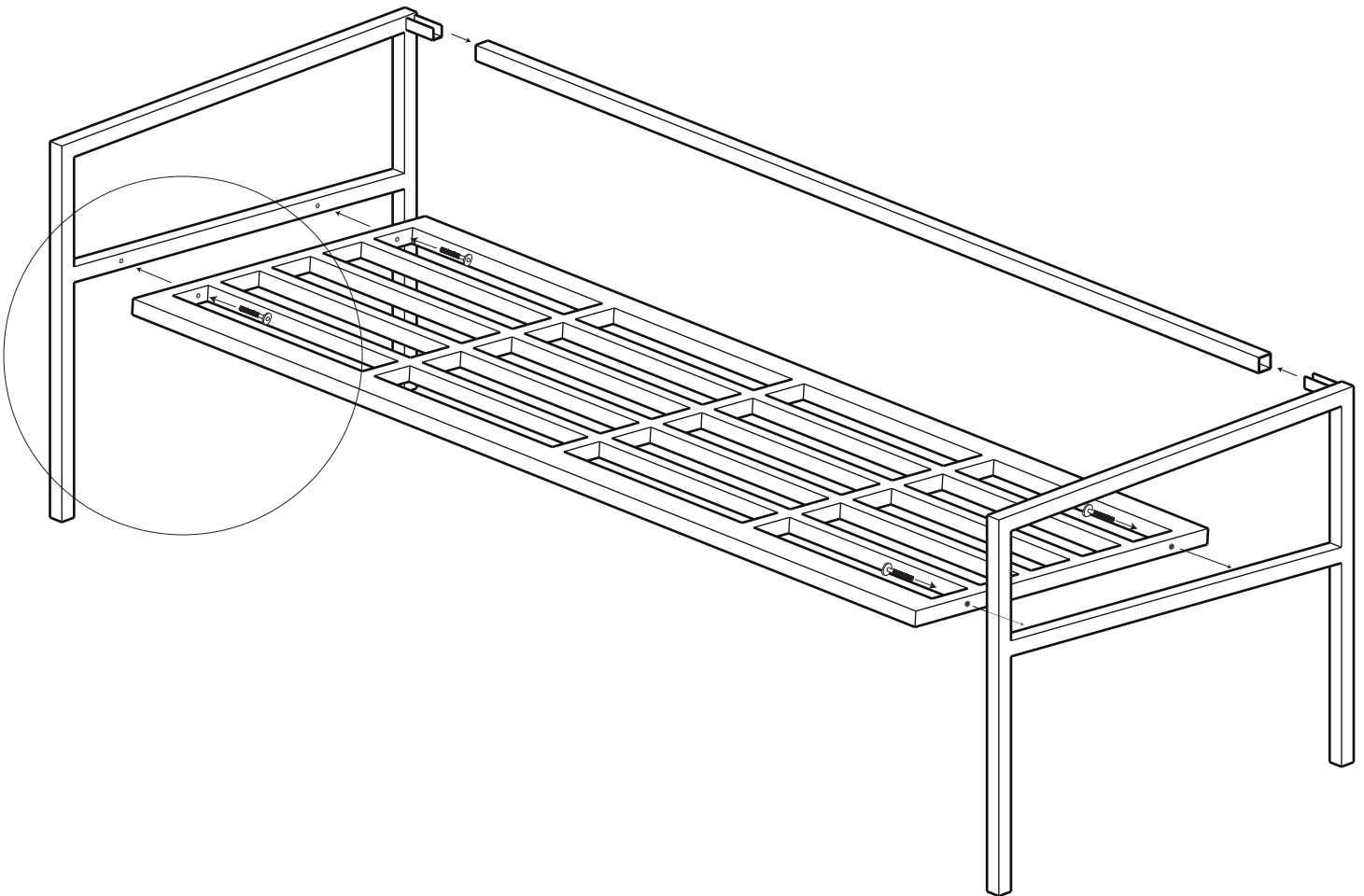
! Assemble this item on a soft surface, such as cardboard or carpet, to protect the finish.



west elm : square metal sofa

assembly instructions

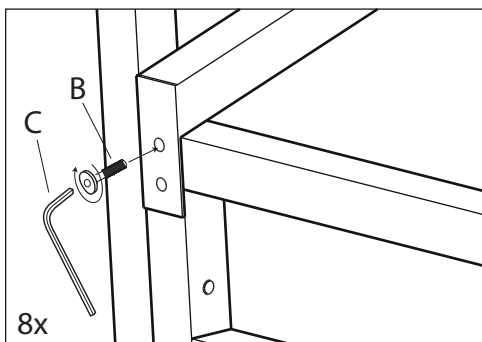
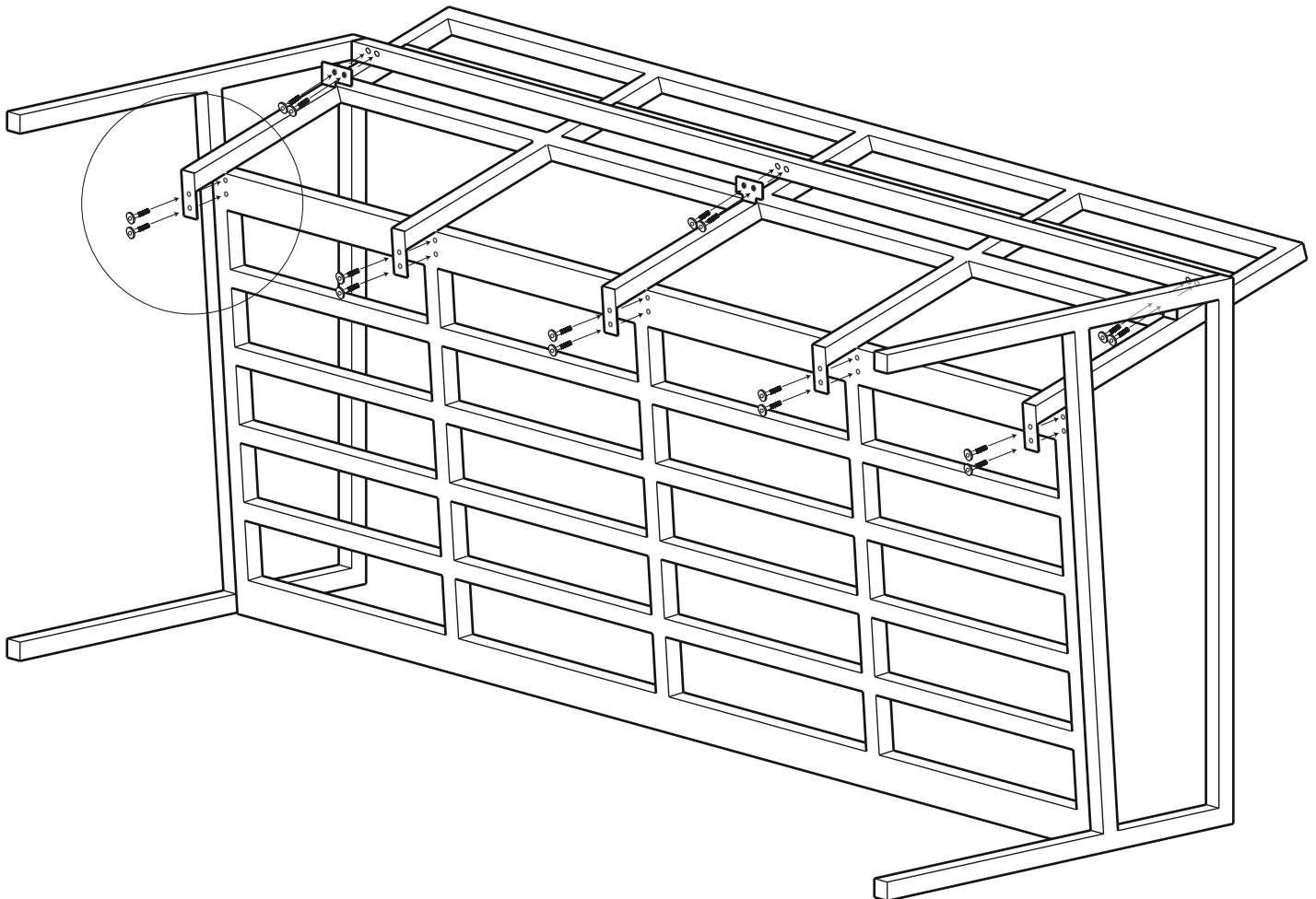
1. Aligning the legs with the seat and the back cross-bar, insert long bolt (A) through pre-drilled holes in seat into pre-drilled holes in leg as shown. Tighten using allen key (C).



west elm : square metal sofa

assembly instructions

- Carefully lean sofa forward on front legs as shown. Insert seat back in frame as shown. Insert short bolt (B) through pre-drilled holes in tab and into pre-drilled hole in seat frame bottom as shown. Tighten using allen key (C).



CARE INSTRUCTION

Hardware may loosen over time. Periodically check that all connections are tight.

Wipe with a soft, dry cloth. To protect finish, avoid the use of chemicals and household cleaners.