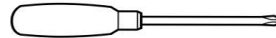


! Tool required (not included): Philips Head Screwdriver



! Do not throw away packaging materials until assembly is complete.

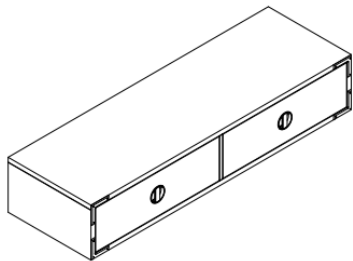
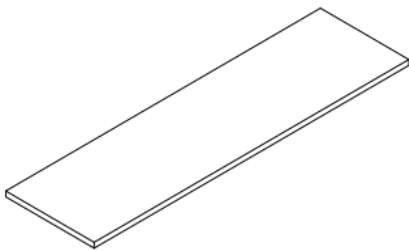
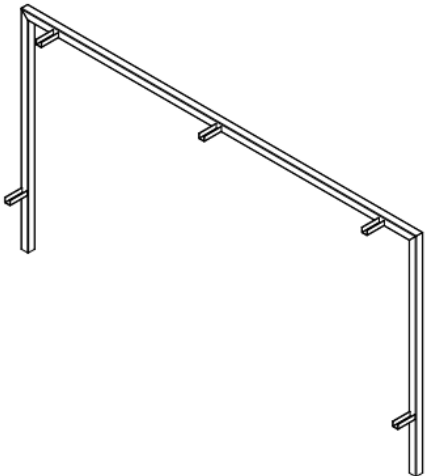
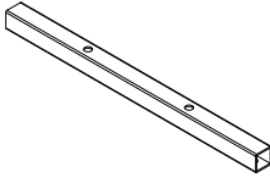
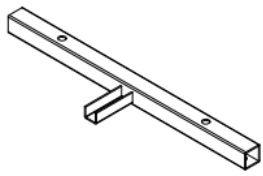

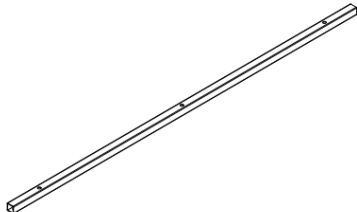


! To protect the finish, assemble this item on a soft surface, such as cardboard or carpet.

! 2 people required to assemble this item.

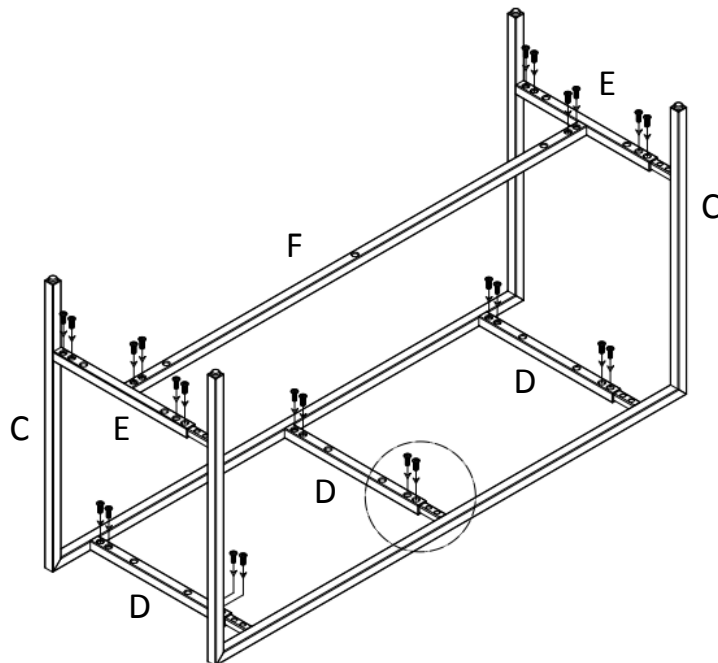
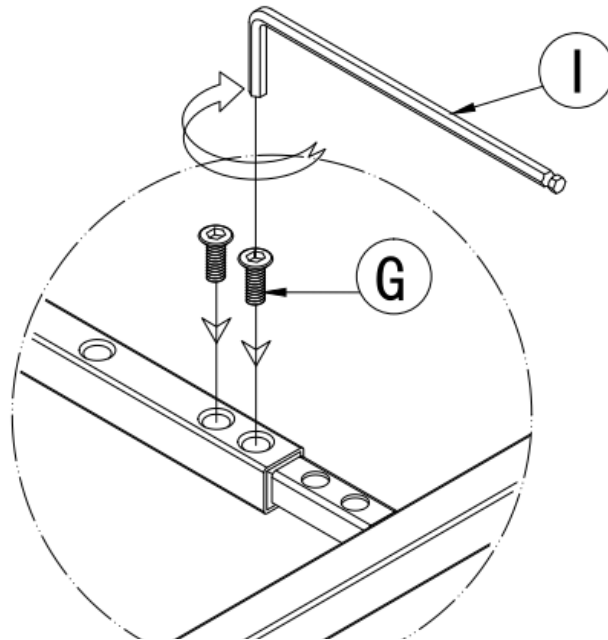
CARE INSTRUCTIONS

Hardware may loosen over time. Periodically check that all connections are tight. Wipe with a soft, dry cloth. To protect finish, avoid the use of chemicals and household cleaners. All hot serving dishes should be placed on a pad. Any liquid spilled onto the table should be cleaned up immediately with a damp cloth.

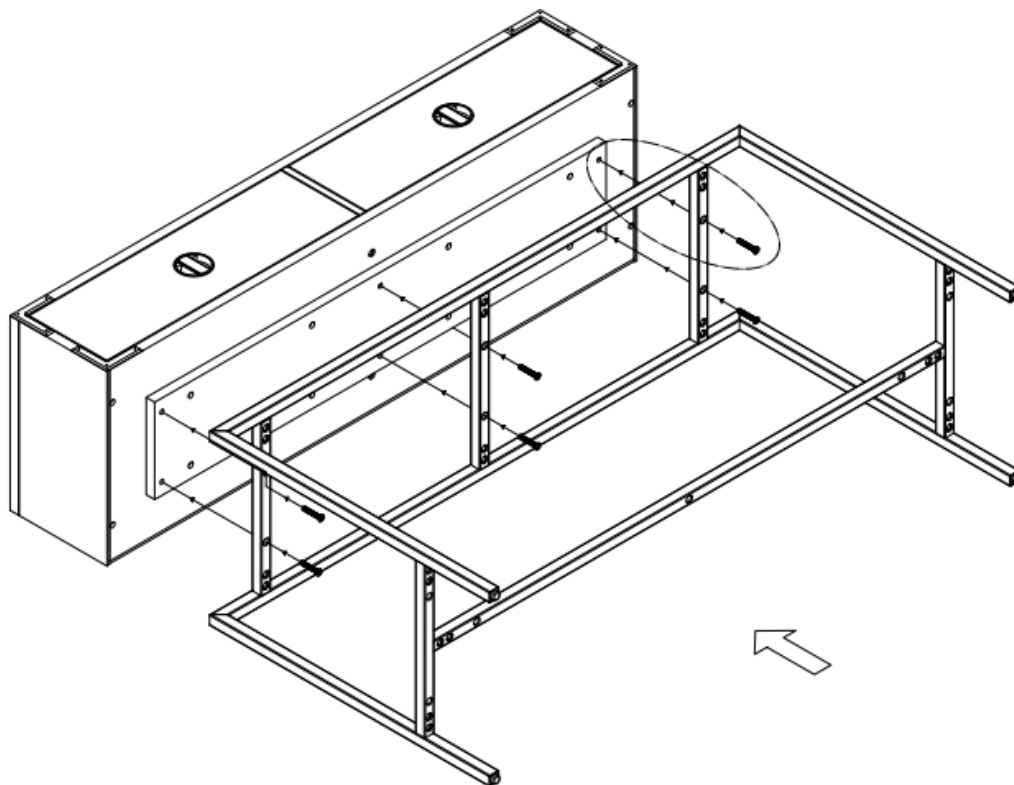
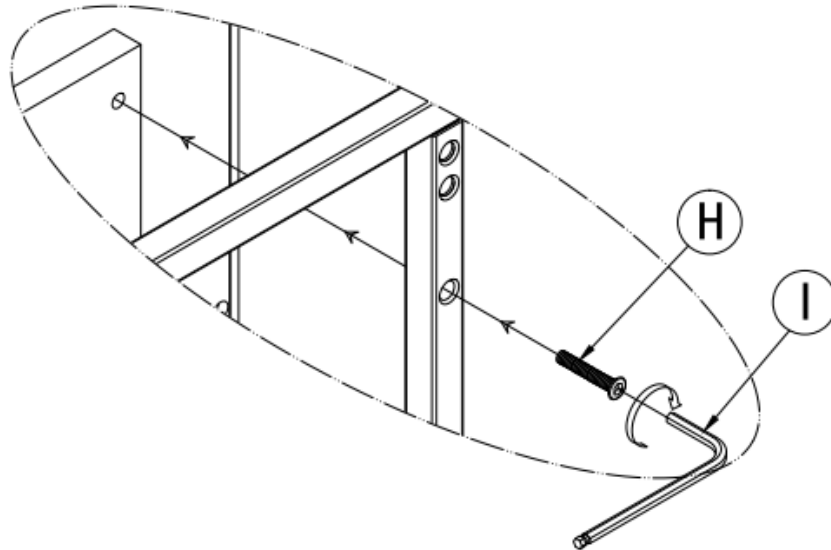
Parts

<p>A</p>  <p>Case x 1 pc</p>	<p>B</p>  <p>shelf 1x</p>	
<p>C</p>  <p>Leg frame x 2 pcs</p>	<p>D</p>  <p>Bottom rail 3X</p>	<p>E</p>  <p>Bottom rail 2X</p>
<p>G</p>  <p>Bolt 1/4" x 5/8" 24x</p>	<p>F</p>  <p>Center rail 1X</p>	
<p>I</p>  <p>Allen key M4X110X30 1x</p>	<p>H</p>  <p>Bolt 1/4" x 1-1/4" 13x</p>	

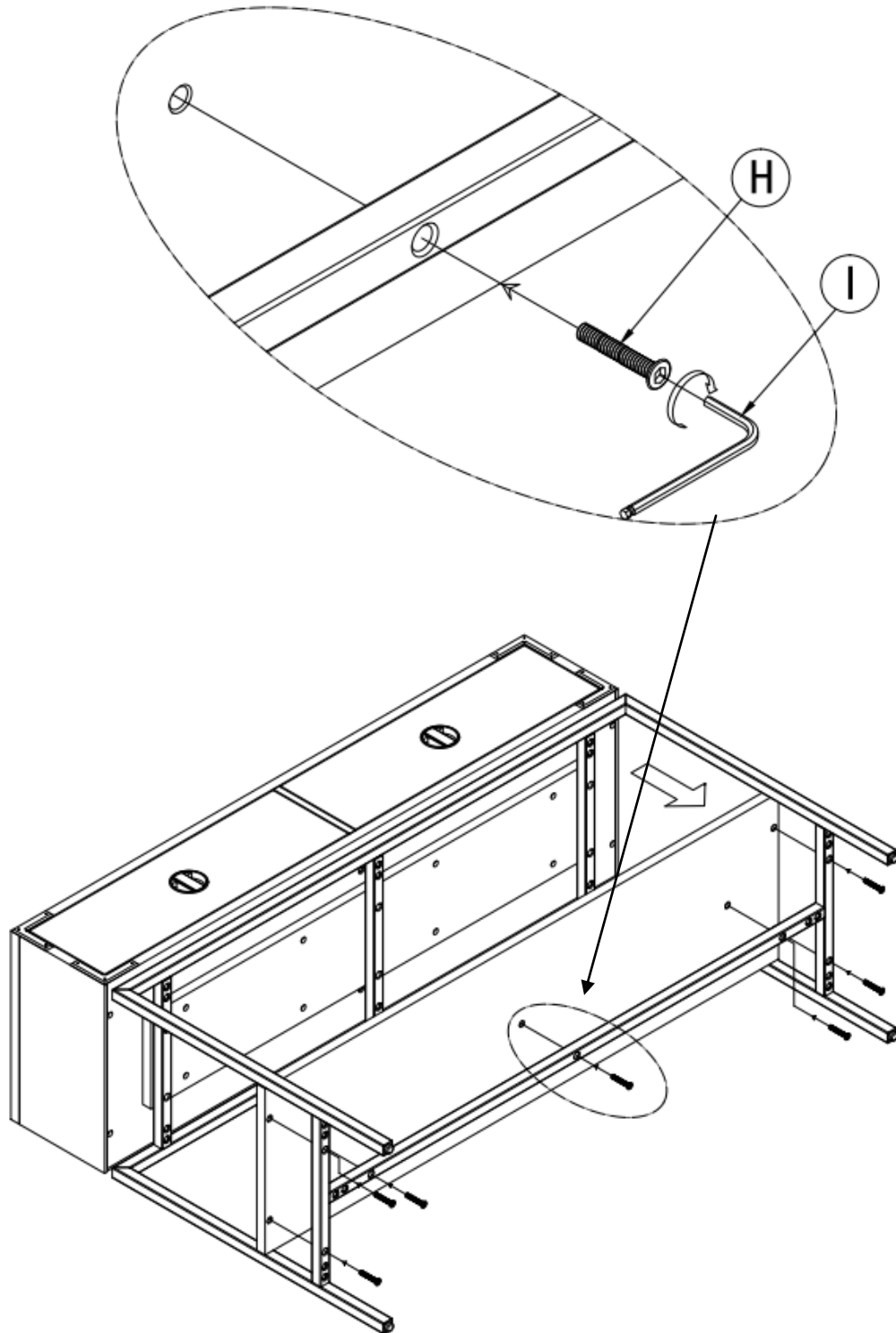
1. Put the Leg frame (C), Bottom rail(D) & (E), Center rail(F) on the soft surface as the illustration below, Tighten 24 Bolt(G) by Allen Key (I).



- Put the case(A) upside down on the soft surface and attached the metal base as the illustration below, Tighten 6 Bolt(H) by Allen Key (I).



3. Insert the shelf (B) onto the metal base as shown. Insert 7 bolt (H) and tighten with supplied Allen key (I).



4. Turn the console back to position. And if the console doesn't sit level, adjust the levelers underneath the legs as seen in the illustration below.

