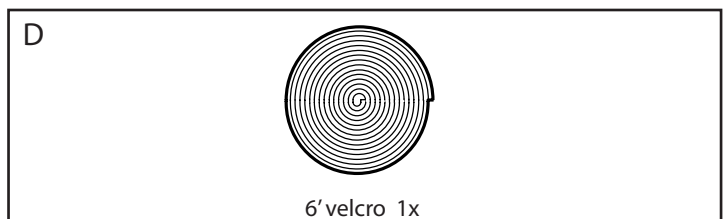
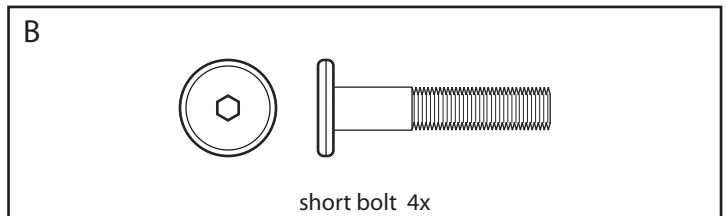
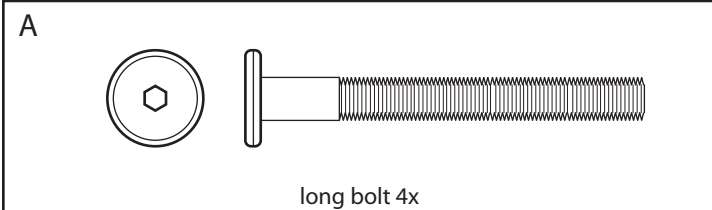
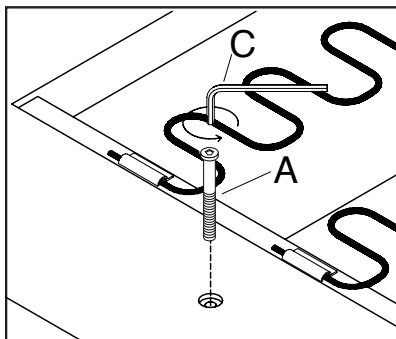
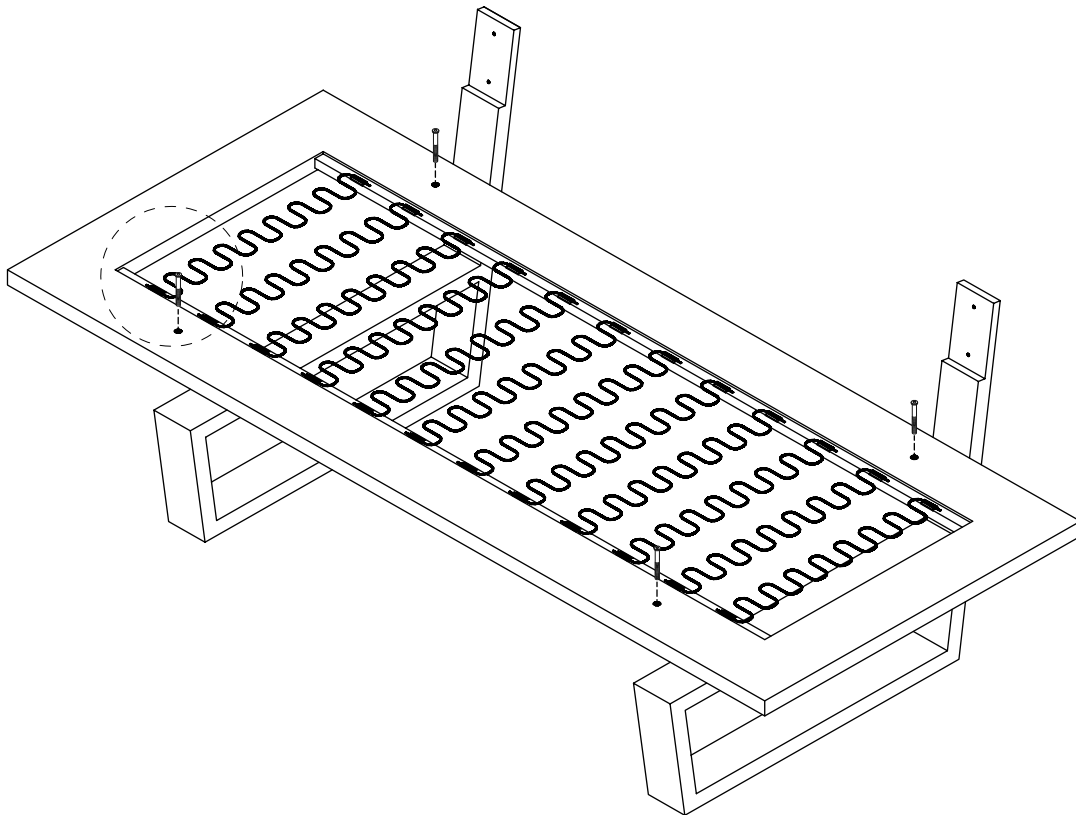


! Do not throw away packaging materials until assembly is complete.

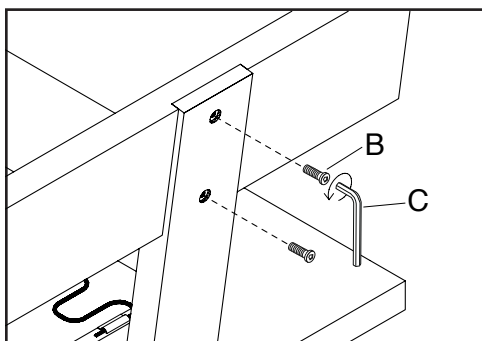
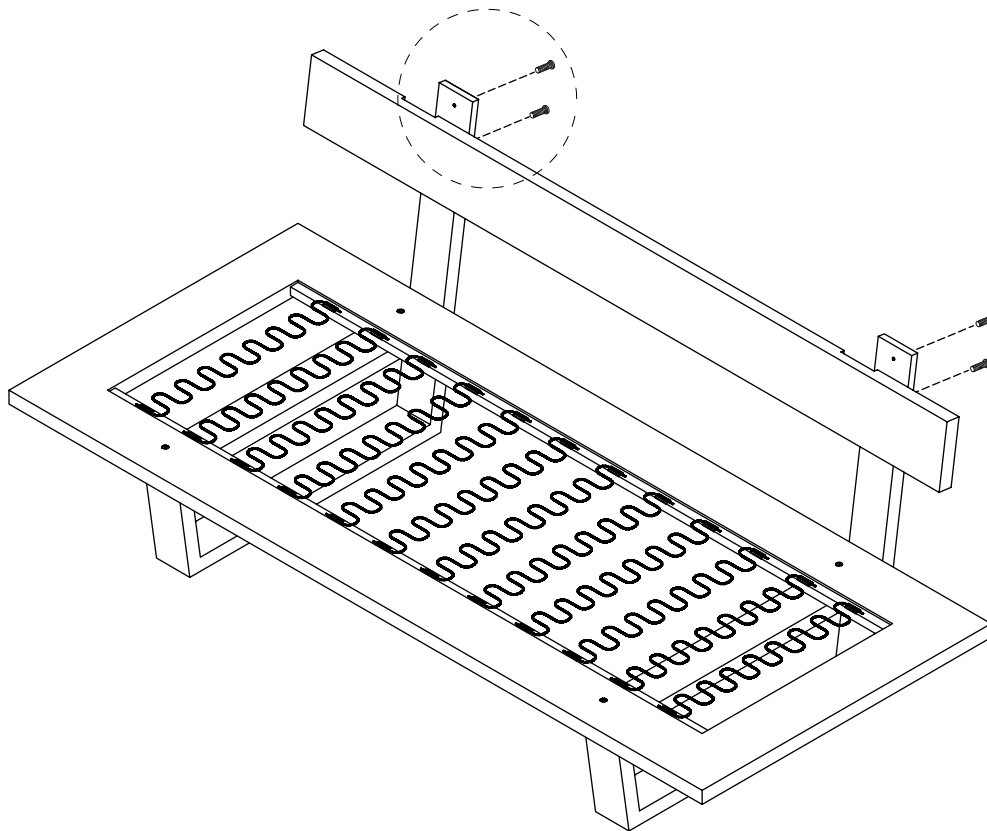
! Assemble this item on a soft surface, such as cardboard or carpet, to protect finish.



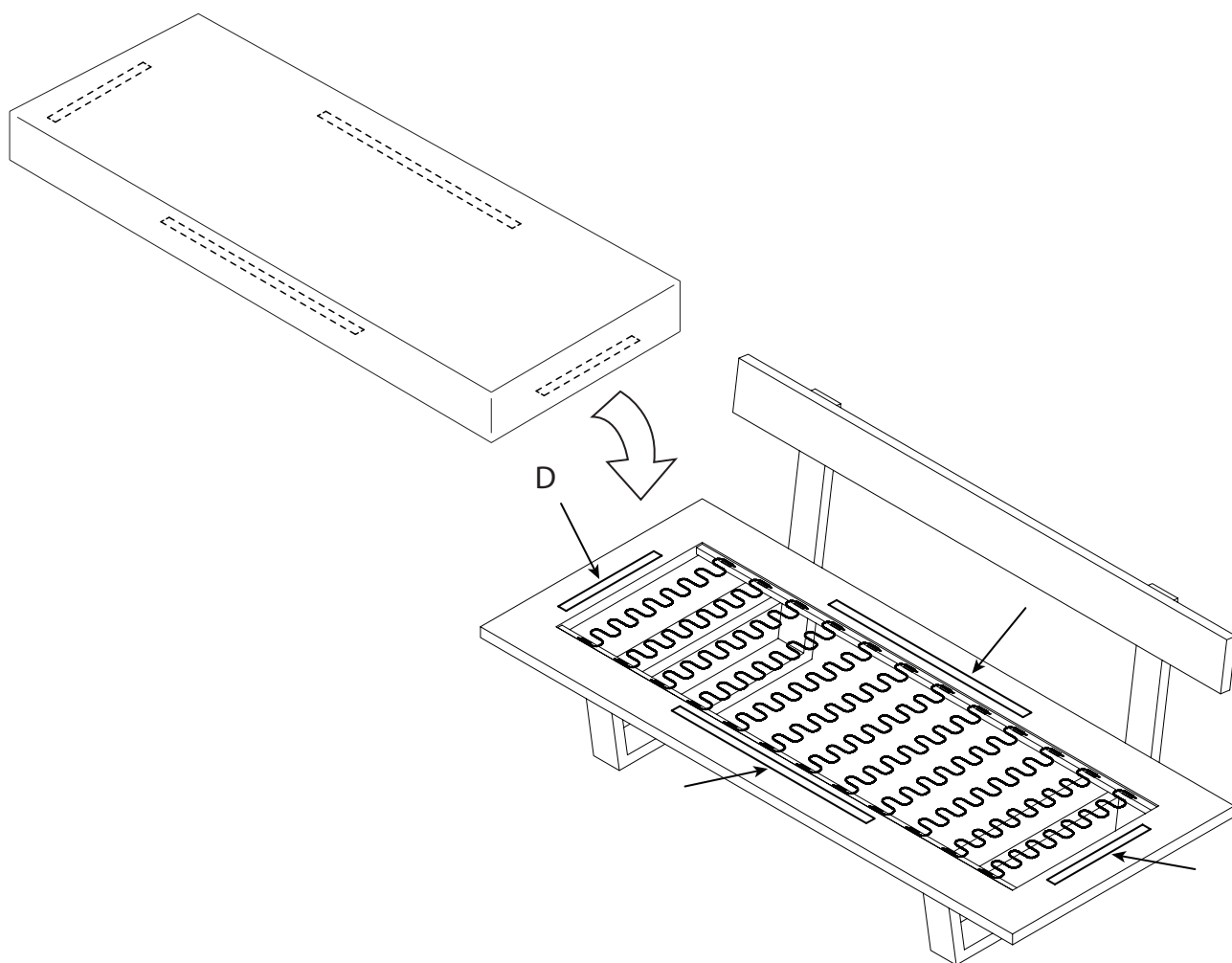
1. Position the leg frames and seat frame as shown. Insert 4 long bolts (A) through the pre-drilled holes in the top of the seat frame into the leg frame. Tighten bolts with allen key (C).



2. Insert short bolt (B) through pre-drilled hole in the back of the leg frame into the back rest as shown. Tighten using allen key (C).



3. To prevent cushion from slipping, cut velcro strips provided and affix to sofa frame and corresponding locations on seat cushion as shown.



CARE INSTRUCTIONS

Hardware may loosen over time. Periodically check that all connections are tight.

Wipe with a soft, dry cloth. To protect finish, avoid the use of chemicals and household cleaners.