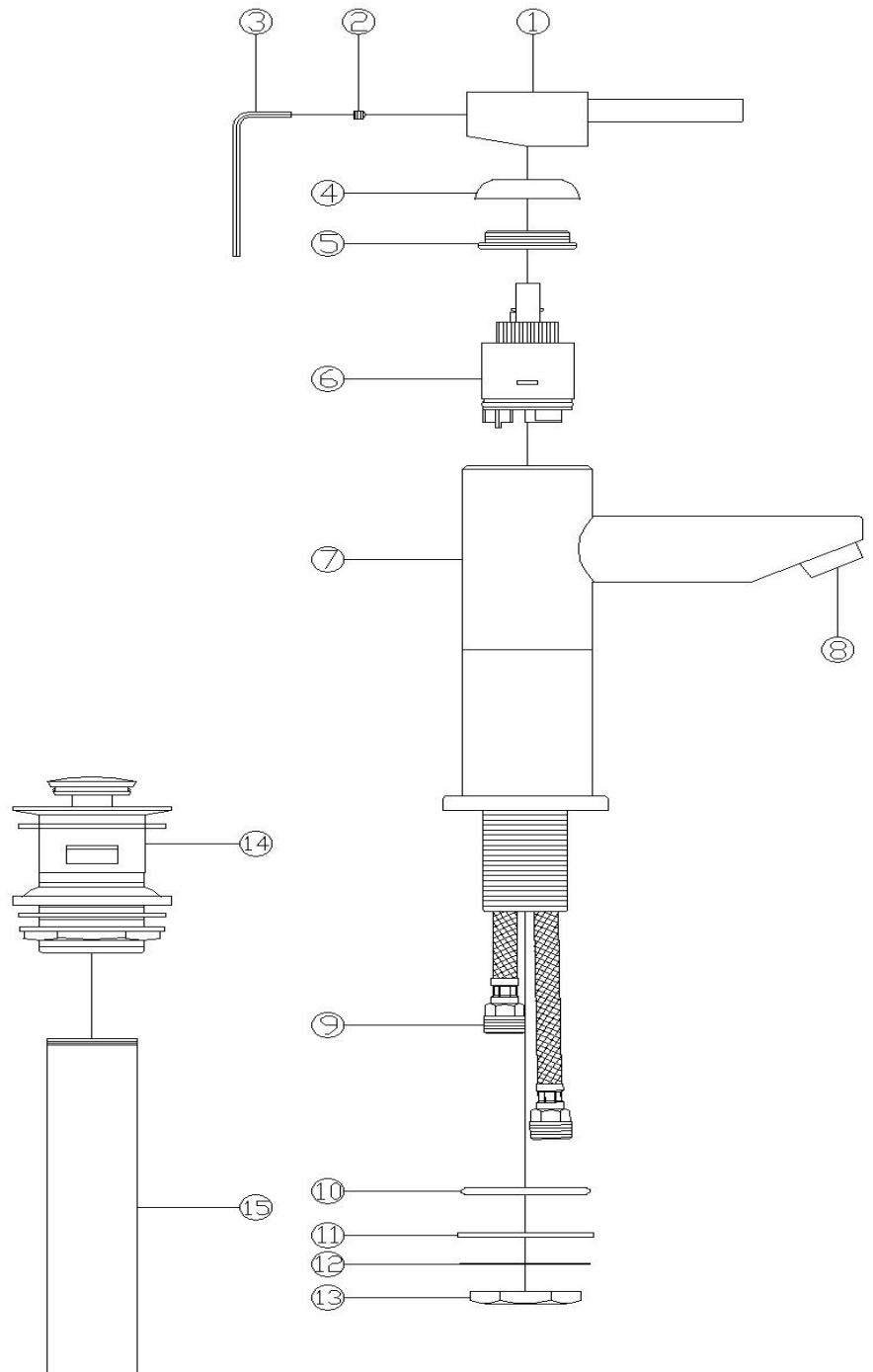


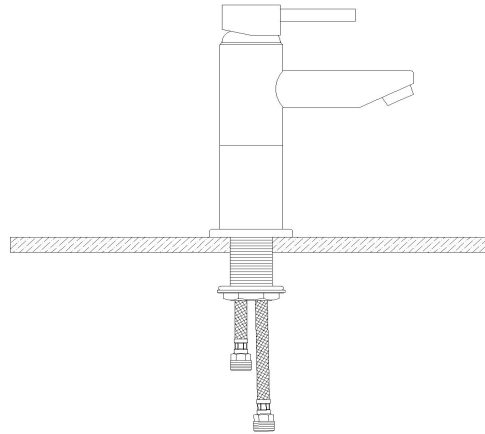
- ! Professional installation required.
- ! Do not throw away packaging materials until assembly is complete.
- ! Please read all instructions carefully and completely before installation.
- ! Remove all parts and hardware from box and lay out on a clear work surface for easy identification.

### Hardware

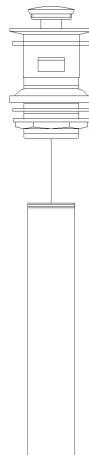
NO.	DESCRIPTION	QTY
1	HANDLE	1
2	SET SCREW	1
3	ALLEN WRENCH	1
4	CARTRIDGE COVER	1
5	CARTRIDGE NUT	1
6	CARTRIDGE	1
7	FAUCET BODY	1
8	AREATOR	1
9	HOSE	2
10	O-RING	1
11	RUBBER WASHER	1
12	WASHER	1
13	LOCK NUT	1
14	PRESS STYLE DRAIN BODY	1
15	DRAIN TUBE	1



1. Be sure water supply lines are turned to the off position. If applicable, remove existing faucet.
2. Clean surface of lavatory sink before installing new faucet.
3. Make sure drain is closed or blocked so that small parts do not fall into drain.
4. Install new faucet body assembly into the hole of the sink. Tighten mounting nut from underneath sink. Connect water supply line to faucet.



5. Remove the aerator from faucet before using for the first time. Allow both hot and cold water to run for one minute. Replace aerator.
6. Use teflon tape to connect drain body to tube.



7. Install drain of sink.

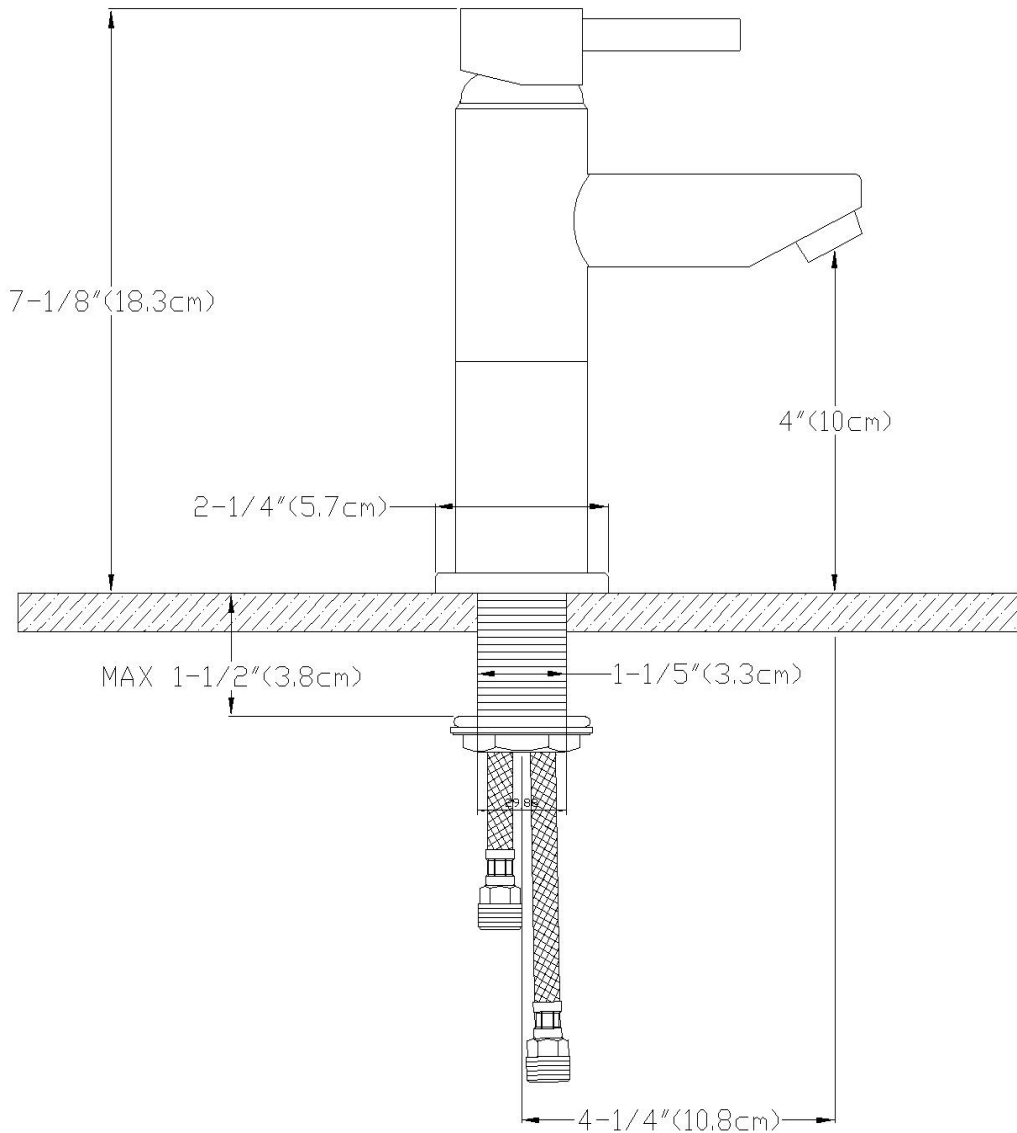
Constructed with long lasting ceramic disc cartridge and solid brass waterway for years of durability.

-Flow Rate: 2.0 GPM/7.6 LPM Spout: 4 1/4" (10.8 cm)

-Includes press style drain

-Drilled hole size needed for assembly: 33mm-38mm, Max Deck Thickness: 1 1/2" (3.8CM), Drain Hole size: 1 1/4" (OD)

-This model meets or exceeds the following codes/standards: ASME 112.18.1 / CSA B 125.1, IAPMO/CUPC, NSF 61-9



#### CARE INSTRUCTIONS:

Clean faucet with soapy water and a soft cloth or sponge. Rinse thoroughly with water. Wipe dry immediately.

To protect finish, do not use abrasive agents or harsh cleaners. If using cleaning agent, it is best to first test on a small inconspicuous spot before applying solution to entire faucet.