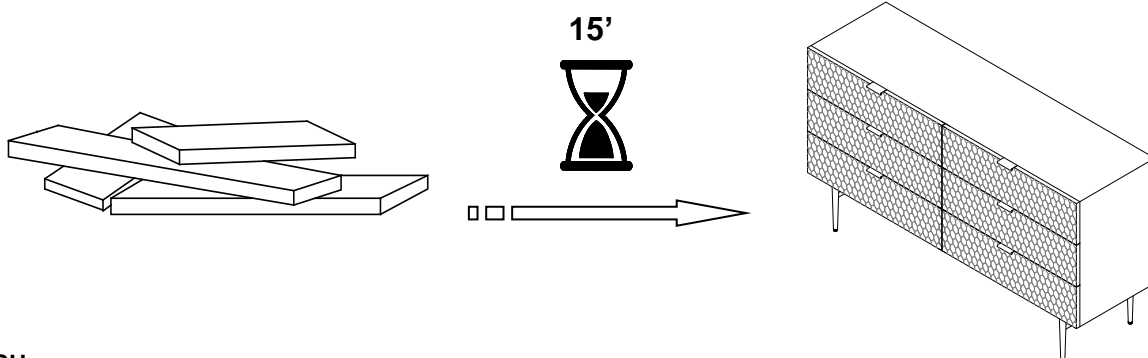


**Audrey 6-Drawer Dresser**

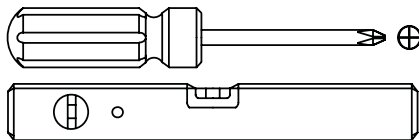
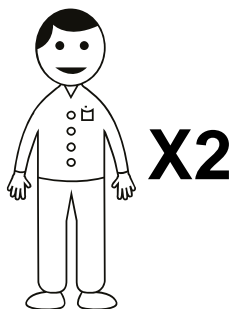


 **ENGLISH**

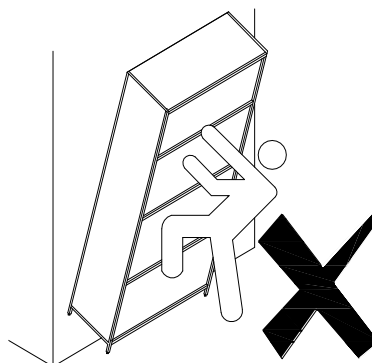
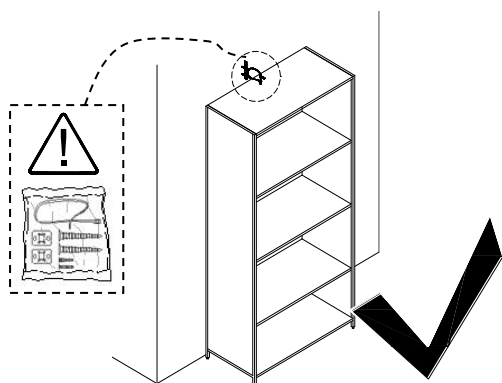
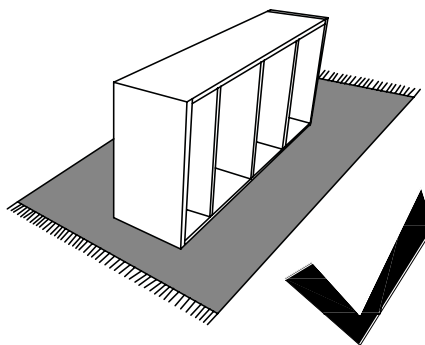
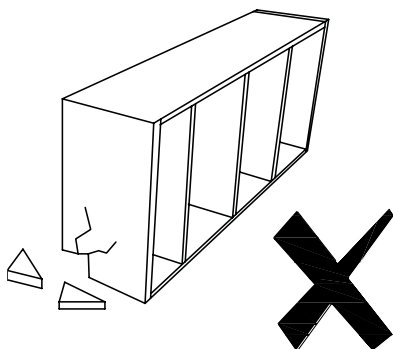
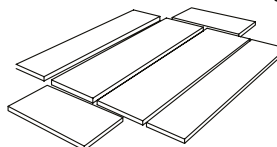
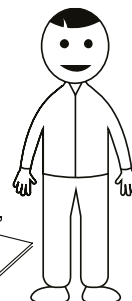
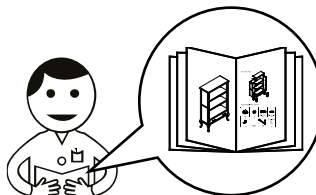
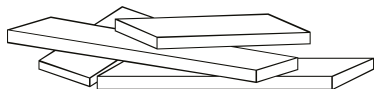
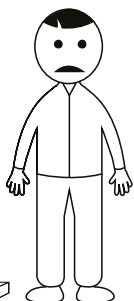
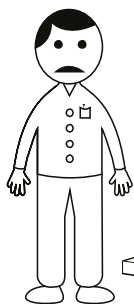
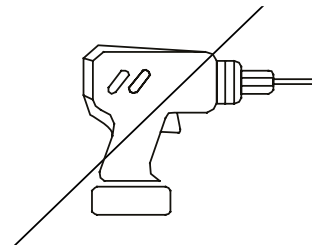
- Do not dispose of any packaging or contents of the shipping carton until assembly is completed to avoid accidentally discarding small parts or hardware.
- 

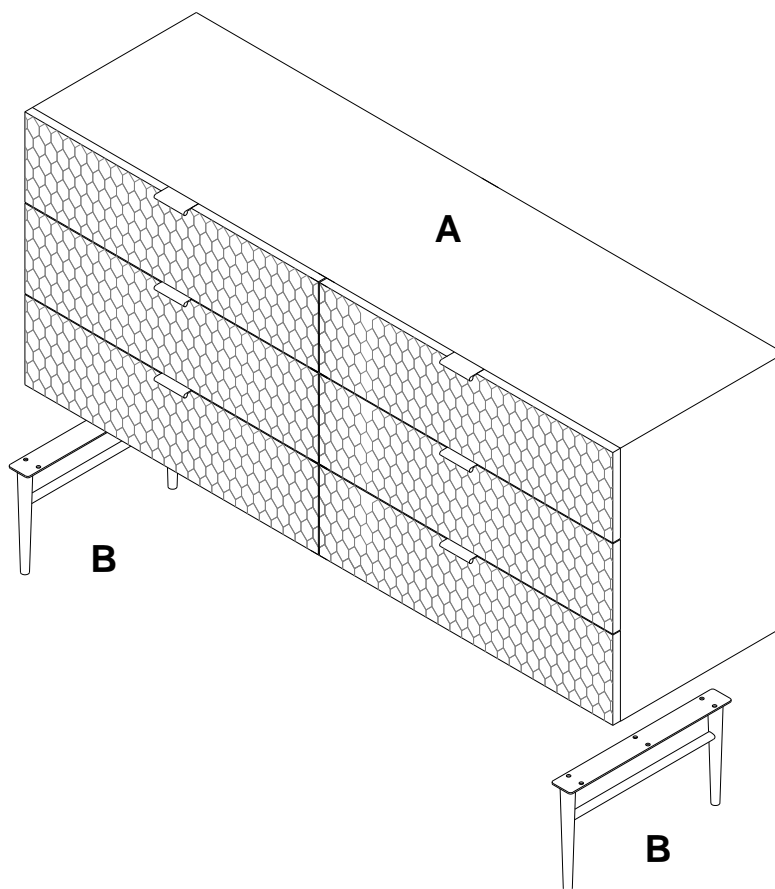
**Care Instructions:**

- Dust often using a clean, soft, dry and lint-free cloth.
- When blot spills, wipe with a clean, damp cloth immediately.
- We do not recommend the use of chemical cleansers, abrasives or furniture polish on our lacquered finish.
- Hardware may loosen over time. Periodically check to make sure all connections are tight. Re-tighten if necessary.

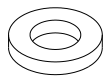


(NOT INCLUDED)





**C**



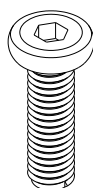
**12x**

**D**



**12x**

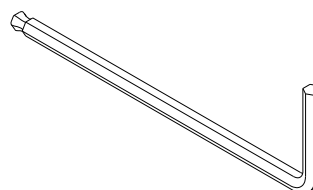
**E**



**M6 x 20mm**

**12x**

**F**

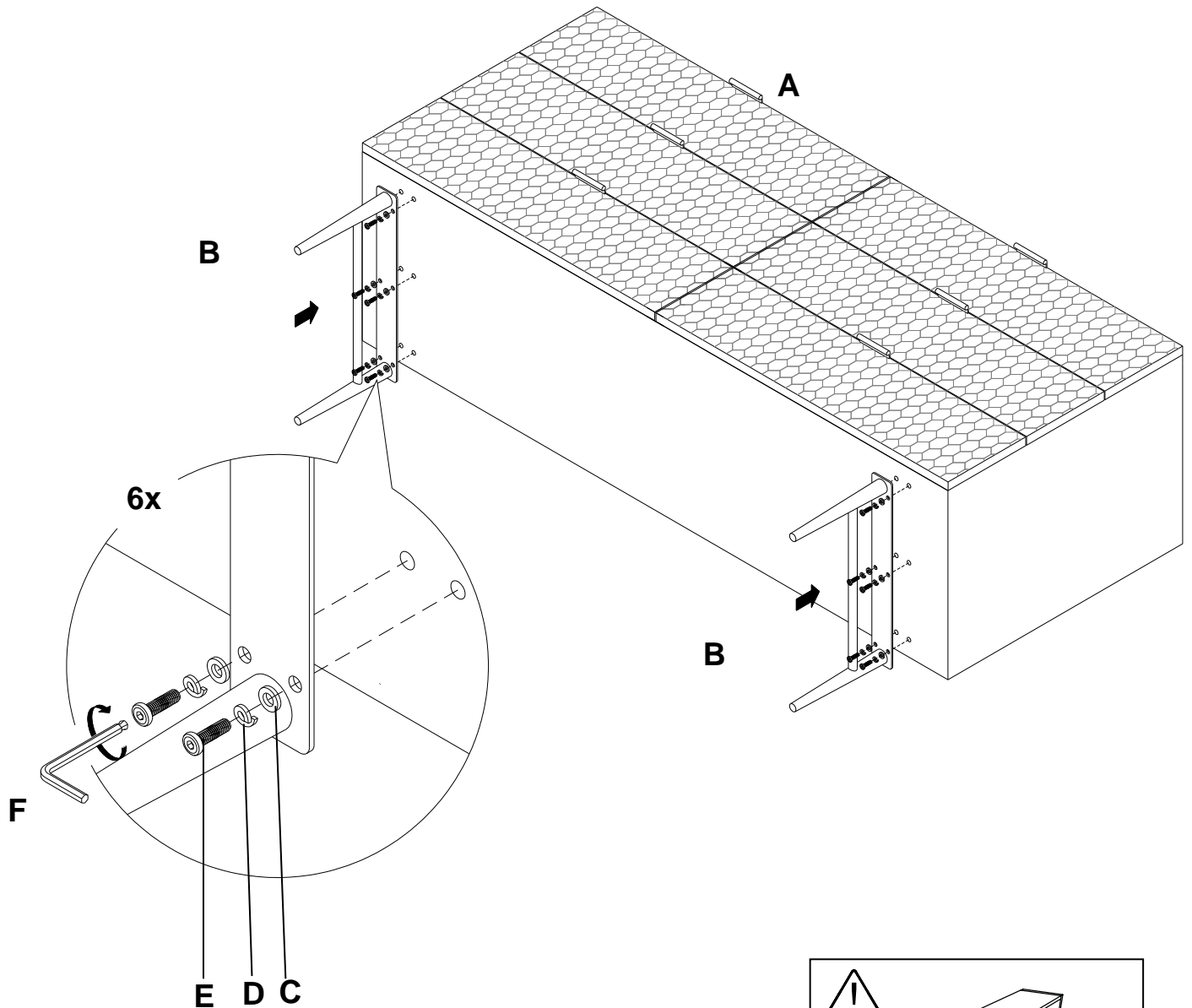


**1x**



● **Anti-tip kit**  
**1x**

# 1



## 2

