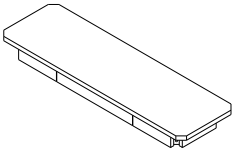
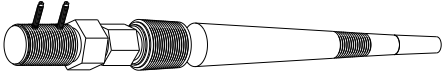
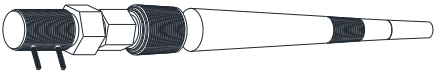



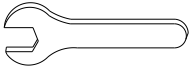


- ! Do not throw away any of the packaging materials until the assembly is complete.
- ! To protect the finish, assemble this item on a soft surface, such as cardboard or carpet.
- ! Proper assembly of this item requires 2 people.

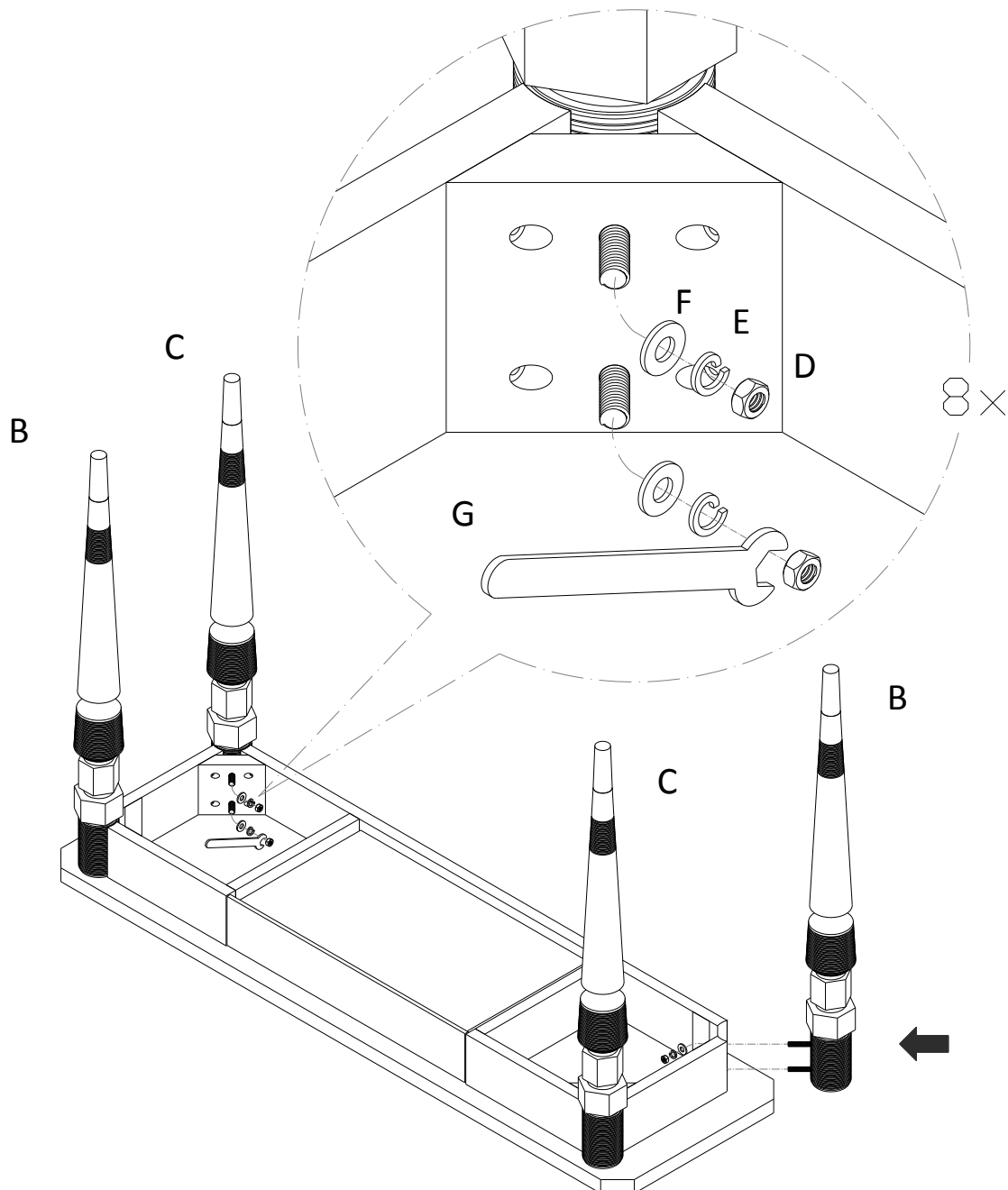
CARE INSTRUCTIONS :

Hardware may loosen over time. Periodically check that all connections are tight. Wipe with a soft, dry cloth. To protect finish, avoid the use of chemicals and household cleaners. All hot serving dishes should be placed on a pad. Any liquid spilled onto the table should be cleaned up immediately with a damp cloth.

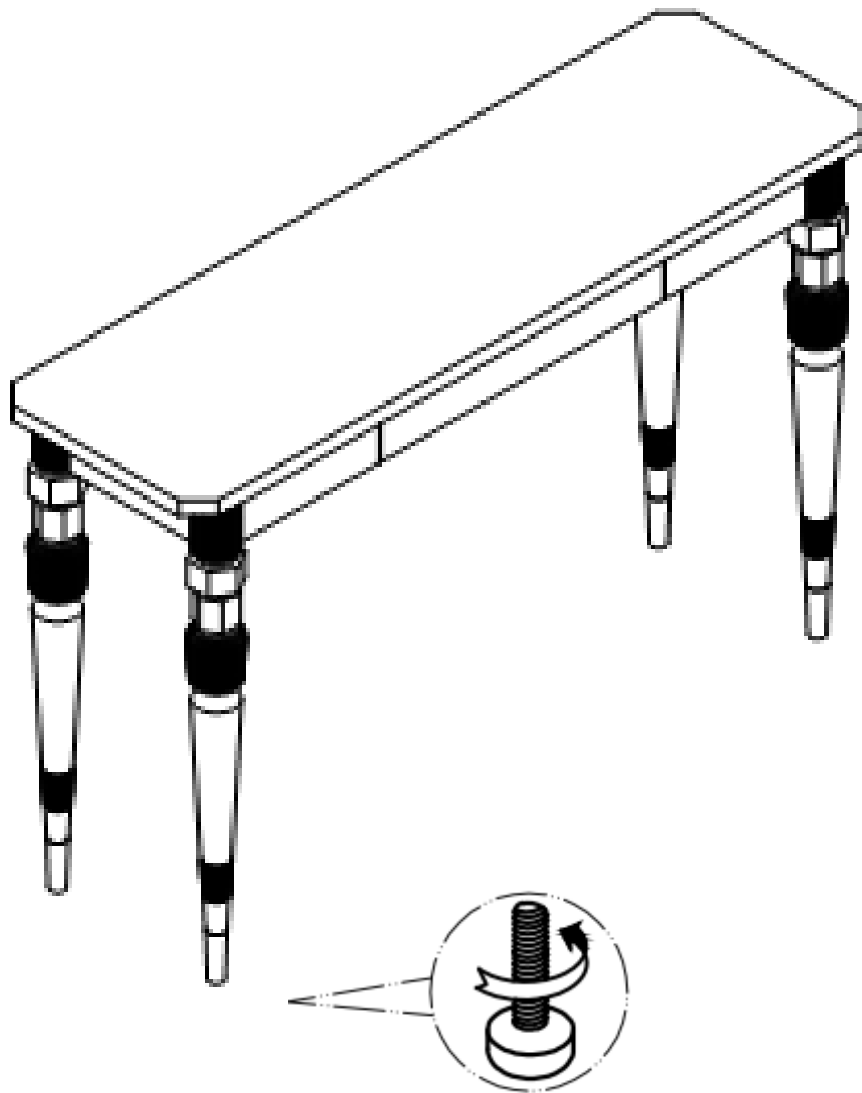
Parts

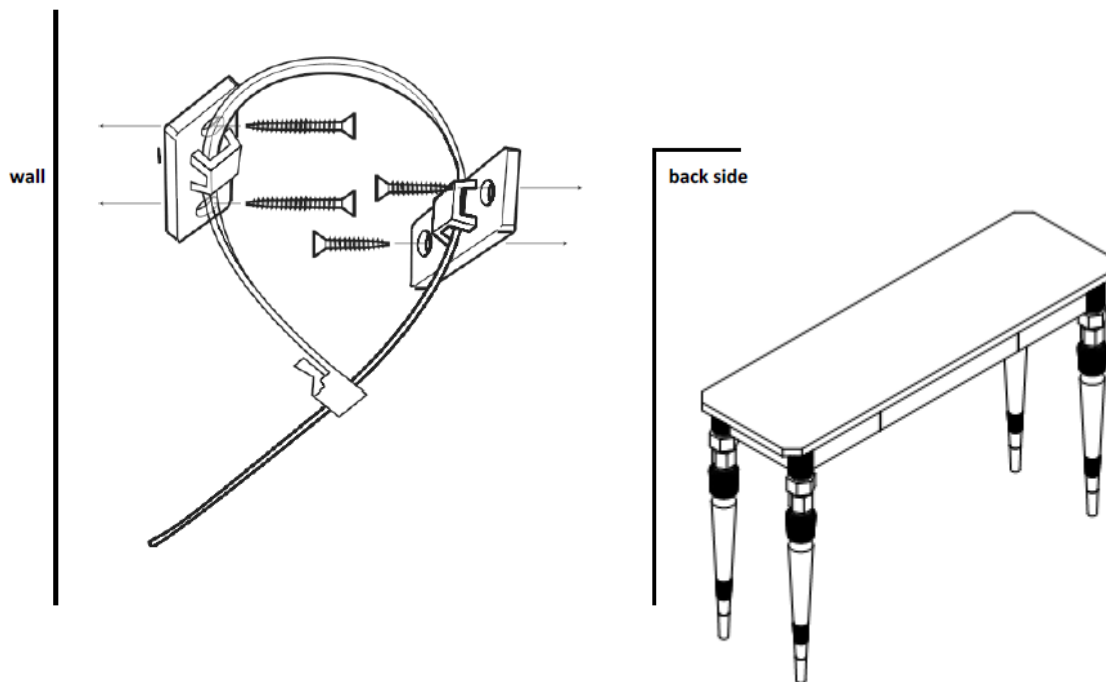
<p>A</p>  <p>Top 1x</p>	<p>B</p>  <p>Leg B 2x</p>
<p>C</p>  <p>Leg C 2x</p>	<p>D</p>  <p>Nut (M8) 8x</p>
<p>E</p>  <p>Spring Washer (M8) 8x</p>	<p>F</p>  <p>Flat Washer (M8) 8x</p>
<p>G</p>  <p>Allen Wrench (M8) 1x</p>	

1. Place the Top (A) upside down on a clean and smooth surface.
2. Attach leg (B) & (C) to each corner of the apron on the bottom of top.
3. Insert flat washer (F), spring washer (E) & nuts (D), then tighten with the Allen Wrench (G).
4. Repeat step 2 & 3 to secure all 4 legs.



5. if the Console doesn't sit level, adjust the levelers underneath the legs as seen in the illustration below.





NOTICE: To prevent injury and property damage from unexpected tipping of furniture, we highly recommend installation of the anti-tip kit included with this product.

Attaching furniture to wall with anti-tip kits.

1. Determine where the piece is to be placed and mark location on the wall for the mounting bracket screw holes. They should be placed approximately 1" below the top on the back of the piece of furniture.
2. Attach the mounting bracket vertically to the wall by inserting the long screws provided through the holes in the bracket and tightening securely using screwdriver. Screws must penetrate wall studs for proper installation.
3. Next using the short screws attach the 2nd bracket to the back of the piece of furniture's top.
4. Lace the nylon strap down through the brackets. Slide the thin end of the strap through the receiving end of the nylon strap. Pull to tighten the piece of furniture snug against wall.