

Linear Wood LED Pendant Assembly Instructions

CAUTION:

- **BEFORE INSTALLING FIXTURE, MAKE SURE THE POWER TO THE CIRCUIT IS TURNED OFF AT THE MAIN FUSE BOX / CIRCUIT BREAKER UTILITY BOX.**

Important Safety Instructions:

- These instructions are provided for your safety. It is very important that they are read carefully and completely before beginning the assembly and installation of this lighting fixture.
- We strongly recommend that a professional electrician install all direct wire fixtures.
- THIS PRODUCT MUST BE INSTALLED IN ACCORDANCE WITH THE APPLICABLE INSTALLATION CODES BY A PERSON FAMILIAR WITH THE CONSTRUCTION AND OPERATION OF THE PRODUCT AND THE HAZARDS INVOLVED.
- The ceiling Toggles Wings (E) and Toggle Bolts (D) are meant for drywall ceiling mounting only. If the ceiling is made from concrete, brick or plaster, please consult your local hardware store for assistance. Use proper hardware for your ceiling type.
- Due to the large size of this lighting fixture must be attached to the ceiling by the use of the 2 Toggle Bolts (D) (or other additional suitable ceiling mounting hardware, not included) which supports the Mounting Plate (F) along with the two Mounting Screws (C).
- **It is suggested to replace damaged dimmer switch with the recommended models**
- The installation is not to be made on a radiant-heating ceiling.
- The lighting fixture is meant for indoor use. It must be connected only to 3-wire, single-phase electrical supply systems (provided with Ground wire or equivalent protection system).
- For your safety, it is strongly recommended that two people install the lighting fixture.
- **LED BULBS ARE NON-REPLACEABLE.**
- The lighting fixture is meant for indoor use, DRY LOCATIONS ONLY.
- **Save these instructions.**

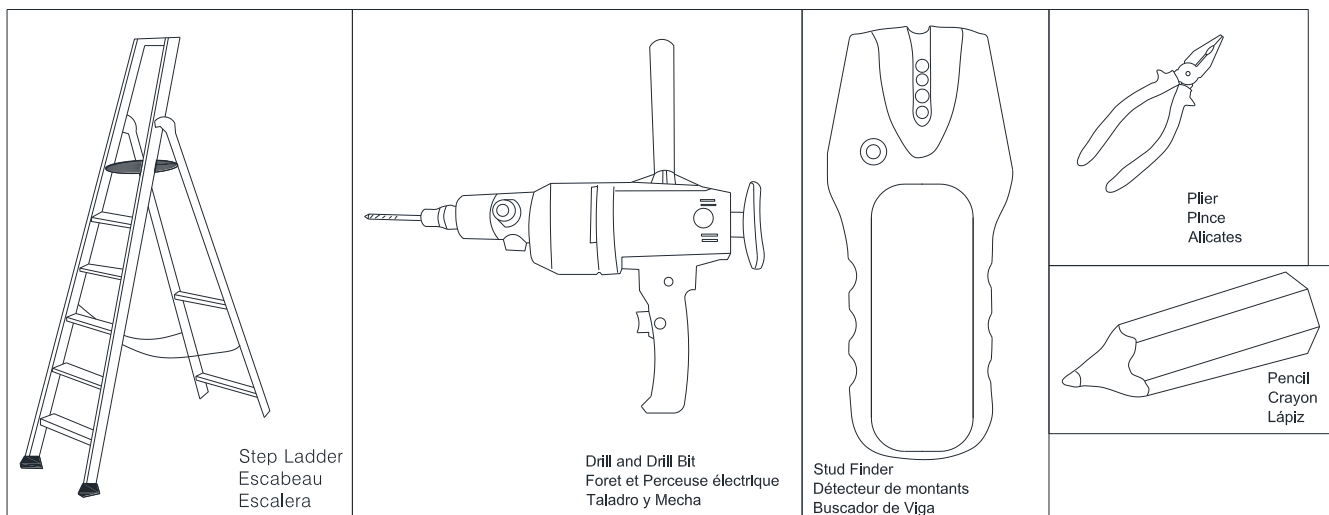
WARNING:

- **To reduce the risk of fire, electrical shock or personal injury, always turn off light fixture and allow it to cool prior to replacing light bulb.**
- **Do not touch bulb when fixture is turned on. Do not look directly at lit bulb.**
- **Keep flammable materials away from lit bulb.**
- **This lighting fixture contains lead, a chemical known to the State of California to cause cancer, birth defects and other reproductive harm. Wash hands after installing, handling, cleaning or otherwise touching this light fixture.**

Pre-assembly:

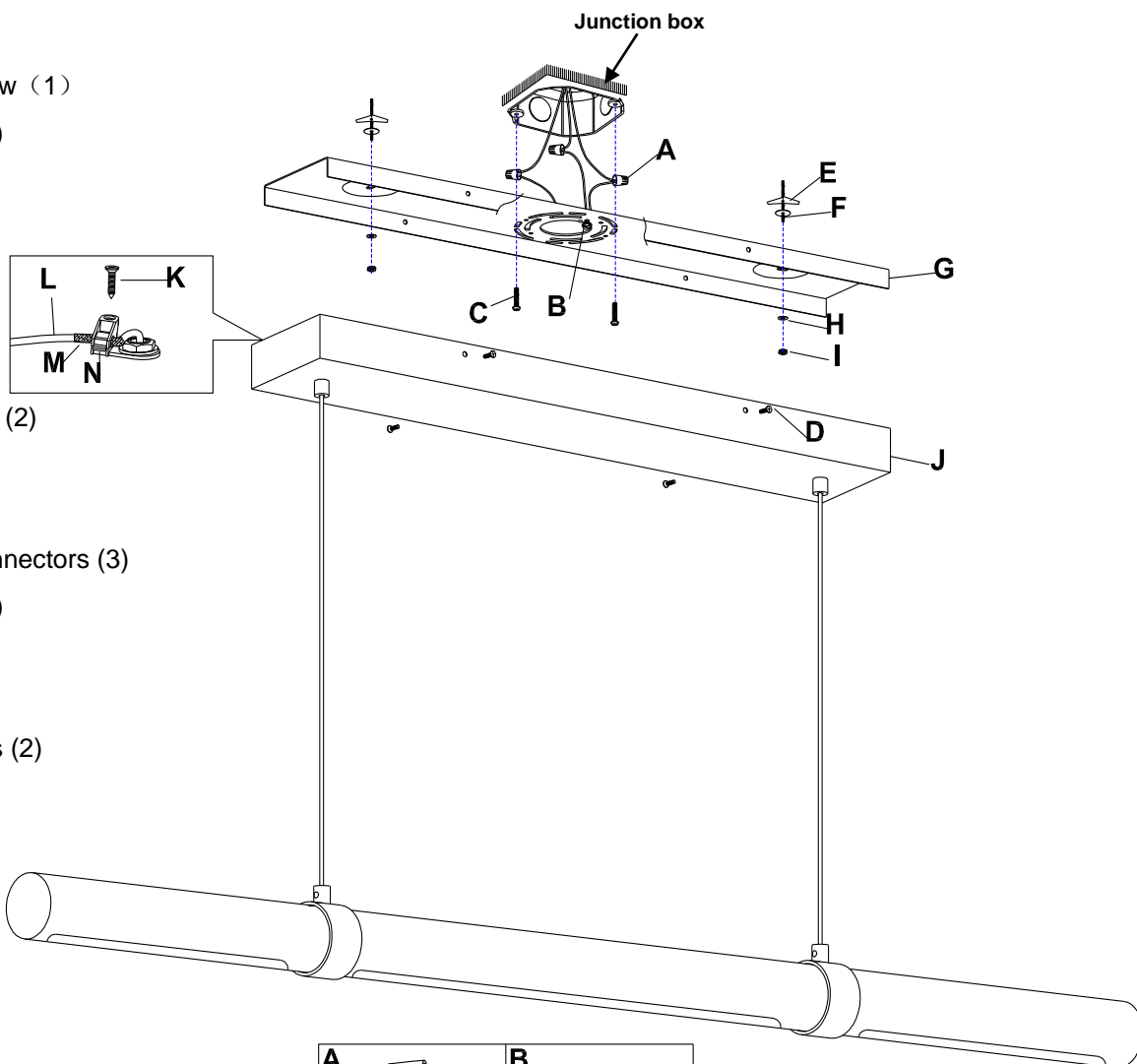
- Remove all parts and hardware from box along with any plastic protective packaging.
- Do not discard any contents until after assembly is complete to avoid accidentally discarding small parts or hardware.
- For your safety and convenience, assembly by two people is recommended.

TOOLS REQUIRED (not included):







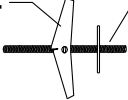

Parts Included:

- (B) Green Ground Screw (1)
- (D) Canopy Screws (4)
- (G) Mounting Plate (1)
- (J) Canopy (1)
- (K) Set Screws (2)
- (L) Power Cords (2)
- (M) Fiber Sleeves (2)
- (N) Plastic Strain Relief (2)



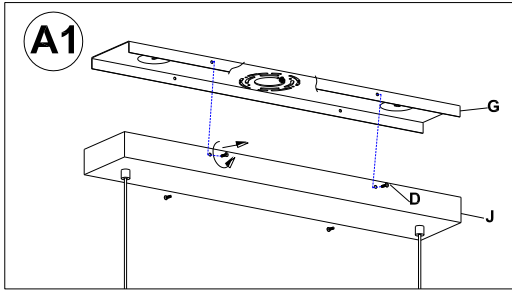
Hardware Enclosed:

- (A) Plastic Wire Nut Connectors (3)
- (C) Mounting Screws (2)
- (E) Toggle wings (2)
- (F) Toggle Bolts (2)
- (H) Toggle Flat washers (2)
- (I) Toggle Nuts (2)

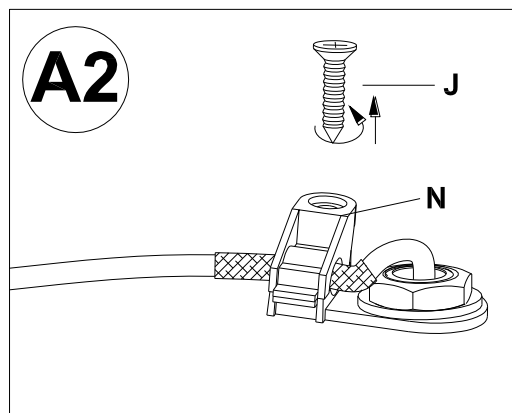
A		3X	B		1X
C		2X	H		2X
E		2X	I		2X

To adjust the Cable length of the fixture:

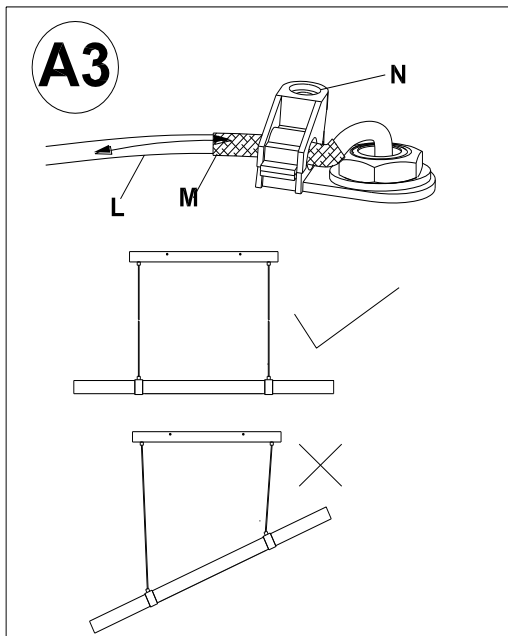
Note: The adjustment or shortening of the lighting fixture's suspension length is only needed if the factory set Power Cord (L) length is not appropriate for your installation. We recommend that you adjust the light fixture to the proper desired suspension length before cutting the electrical cord. Determine the lighting fixture suspension length from the ceiling for the product installations, allowing the extra cord length for the outlet junction box wire connections as noted below.



1. Separate the Mounting Plate (G) from Canopy (J) by removing the Canopy Screws (D). **Do not discard Canopy Screws (D) as these will be used later.**

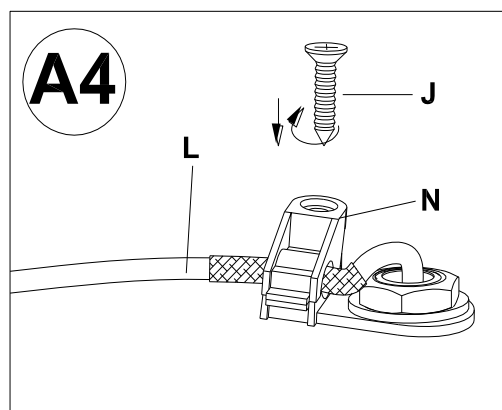


2. Loosen the Set Screws (J) from the Plastic Strain Reliefs (N) inside the Canopy (J) using a screwdriver by turning Set Screws (J) in a counter-clockwise



3. **Adjust the Power Cords (L) upwards or downwards through the Canopy (J) until a new desired suspension length is determined. At the same time, wooden tube need to be horizontal. See left drawing.**

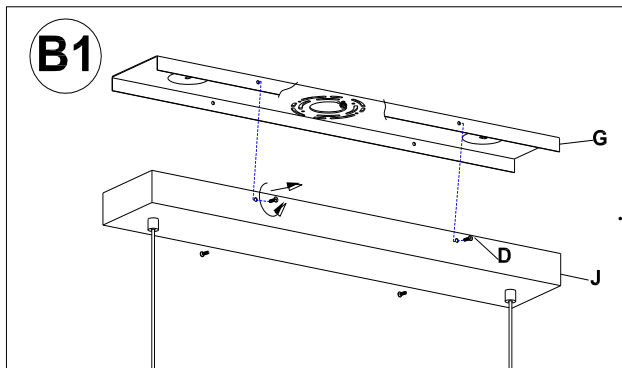
Note : Always keep the Fiber Sleeve (M) between the Plastic Strain Relief (N) and the Power Cord (L) to protect the Power Cord (L) without damage.



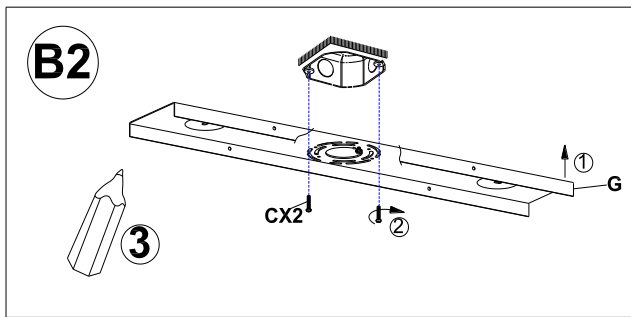
4. Secure the Power Cord (L) in place by tightening the Set Screws (J) onto the Plastic Strain Reliefs (N). Do not over tighten the screw, making sure the Power Cords (L) will not slip downwards with the pendant body.

Assembly & Installation Instructions:

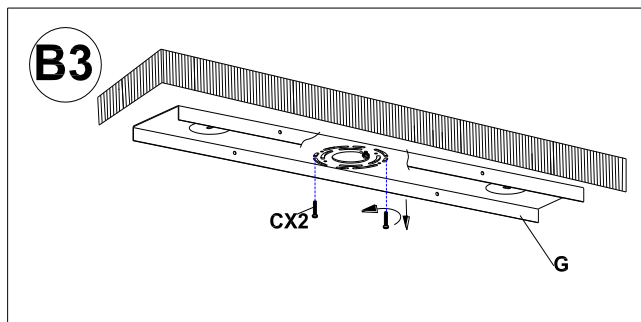
- **SHUT OFF THE MAIN ELECTRICAL SUPPLY FROM THE MAIN FUSE BOX/CIRCUIT BREAKER.**
- Carefully unpack all fixture parts and hardware and lay them on a clear workspace.



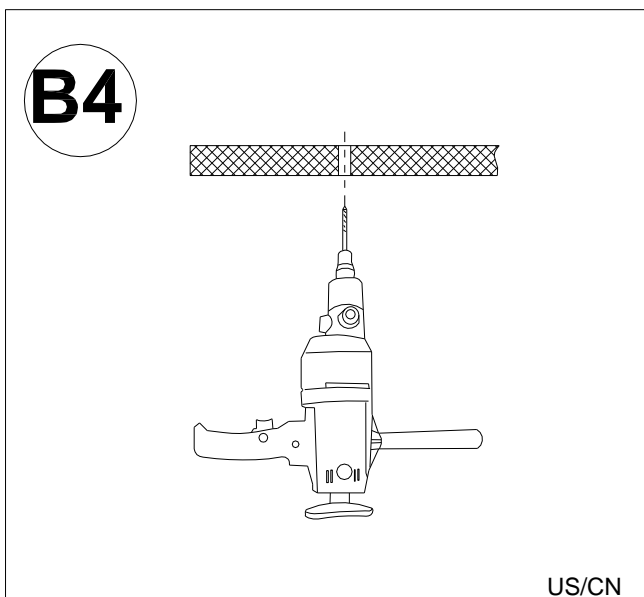
1. Separate the Mounting Plate (G) from Canopy (J) by removing the Canopy Screw (D). Do not discard Canopy Screws (D) as these will be used later.



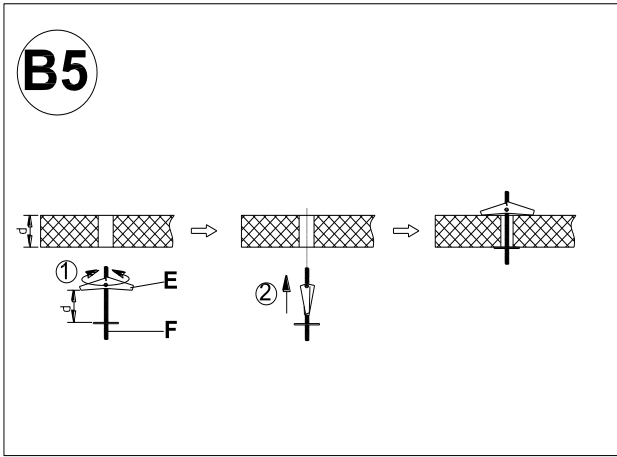
2. Attach the mounting plate (G) onto J-BOX using 2 Mounting Screws (C), Mark the 2 slots locations of the Mounting Plate (G) on the ceiling using a pencil.



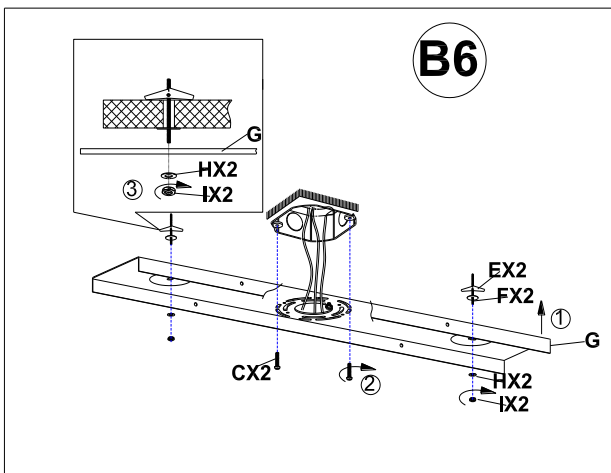
3. Un-install the mounting plate (G) from the marked ceiling outlet box location by loosening and removing the two Mounting Screws (C) with a screwdriver.



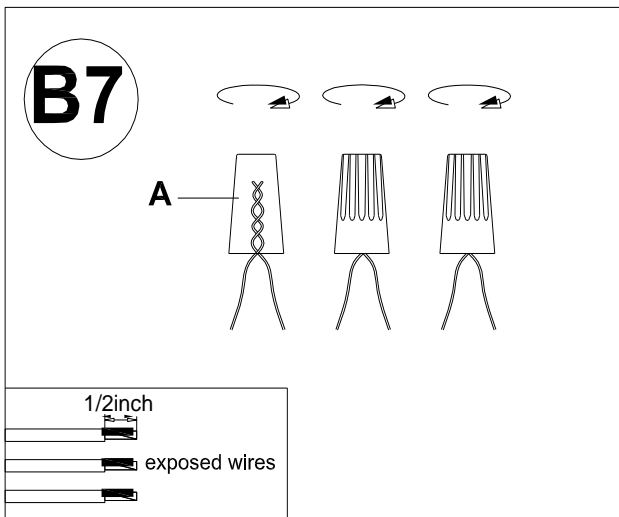
4. Using the drill with the appropriate size drill bit (just large enough to mark hole that will allow passage of the folded Toggle wrings(E) of Toggle Bolts(F), Drill 1 hole in ceiling at each of the 2 marked slot locations for the Toggle Bolts (F) and Toggle Wings (E) assemblies



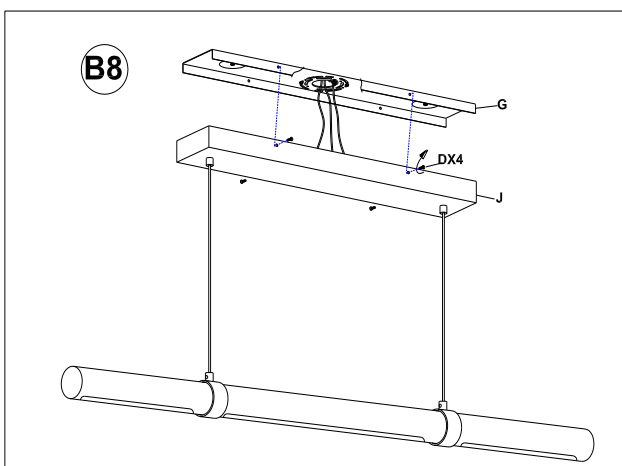
5. Use the assembled Toggle Bolts and Toggle Wings (F&E), inserted through each of the 2 ceiling holes, making sure only the Toggle Wings (E) are fully inserted into the ceiling and Toggle Wings (E) are open. Rotate each Toggle Bolt (F) clockwise until each flat washer on the Toggle Bolt (F) is tight against the ceiling.



7. Gently pull the existing wire down from the ceiling junction box and allow wires to hang through the center opening of Mounting Plate (G). Attach the Mounting Plate (G) to the ceiling junction box, making sure the threaded portions of each Toggle Bolt (F) extend down through the holes on the Mounting Plate (G), secure Mounting Plate (G) using a Mounting Screws (C). tighten each screw with a screwdriver. position the Flat Washers (H) first and then Toggle Nuts (I) onto the exposed threaded position of each Toggle Bolts (F), then tighten each nut until tight.



7. Please read the section "To Make the Wire Connections" Below.



8. With the help of another person to hold the weight of the Chandelier, Raise the Canopy (J) up over the Mounting Plate (G), aligning the 4 holes from the Mounting Plate (G) with the 4 holes on sides of the Canopy (J). Insert the 4 Canopy Screws (D) and tighten each screw with a screwdriver until secure.

To Make the Wire Connections:

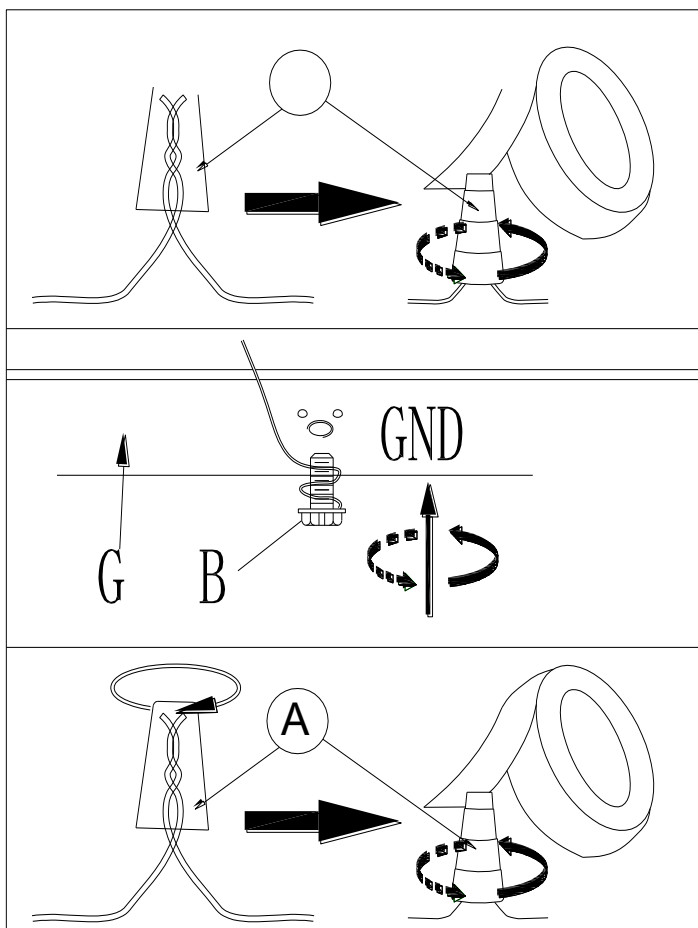
1. Gently pull existing wire down from the ceiling junction box and allow wires to hang. The HOT or LIVE wire is usually black. The NEUTRAL wire is usually white. Check to see if there is a ground wire that is usually green or green with a yellow stripe or exposed copper metal wire. If needed, use a pair of wire strippers to remove about 1/2 inch of insulation from each wire.
2. Carefully inspect the fixture wires. The NEUTRAL FIXTURE WIRE is White. The HOT FIXTURE WIRE is Black. And the GROUND WIRE is bare copper. If you have any doubt and cannot identify the power-supply wires with confidence, then we recommend that you ask an electrician and that you not continue with the installation.
3. With the help of another person to hold the weight of the fixture, attach the fixture wires to the junction box wires as shown in the illustrations.

NOTE:

IT IS IMPERATIVE THAT THE JUNCTION BOX IN YOUR HOME BE PROPERLY GROUNDED!

DO NOT REVERSE THE HOT AND NEUTRAL CONNECTIONS OR SAFETY WILL BE COMPROMISED.

4. Check the wiring connections and if all looks good, gently tuck the wire connections neatly into the ceiling junction box.



Connect the GROUND FIXTURE WIRE to the GROUND J-BOX WIRE using the Plastic Wire Nut Connector (A) and wrap the connection with electrical tape. Be sure that no wire strands are exposed.

If the junction box DOES NOT have a GROUND WIRE, wrap the fixture's bare ground wire around the Green Ground Screw (B) and insert the screw into the Mounting Plate (G), marked as "GND", and tighten screw to secure the wire.

Connect the NEUTRAL FIXTURE WIRE to the NEUTRAL J-BOX WIRE first and then connect the HOT FIXTURE WIRE to the HOT J-BOX WIRE using the Plastic Wire Nut Connectors (A). Wrap these connections with electrical tape. Be sure that no wire strands are exposed.

FCC COMPLIANCE:

NOTE: This equipment has been tested and found to comply with the limits for a Class B digital device, pursuant to Part 15 of the FCC Rules. These limits are designed to provide reasonable protection against harmful interference in a residential installation. This equipment generates uses and can radiate radio frequency energy and, if not installed and used in accordance with the instructions, may cause harmful interference to radio communications. However, there is no guarantee that interference will not occur in a particular installation. If this equipment does cause harmful interference to radio or television reception, which can be determined by turning the equipment off and on, the user is encouraged to try to correct the interference by one or more of the following measures:

- Reorient or relocate the receiving antenna.
- Increase the separation between the equipment and receiver.
- Connect the equipment into an outlet on a circuit different from that to which the receiver is connected.
- Consult the dealer or an experienced radio/TV technician for help.

This device complies with Part 15 of the FCC Rules. Operation is subject to the following two conditions: (1) This device may not cause harmful interference, and (2) This device must accept any interference received, including interference that may cause undesired operation. Caution: changes or modifications not expressly approved by the party responsible for compliance could void the user's authority to operate the equipment.

IC COMPLIANCE:

This Class B digital apparatus complies with Canadian ICES-003.

The Light Modulator We Recommend:

请把适配的dimmer switch 型号写出来。而且这些事都是UL认证过的。并且在年度测试的时候，你们需要重新检查，否
这些型号还是在认证期限的内的。

Care instructions:

- Wipe clean with a soft, dry cloth or static duster.
- Always avoid the use of harsh chemicals or abrasive cleaners as they may cause damage to the fixture's finish.

Thank you for your purchase

Stores | catalog | www.westelm.com

USA 888-922-4119