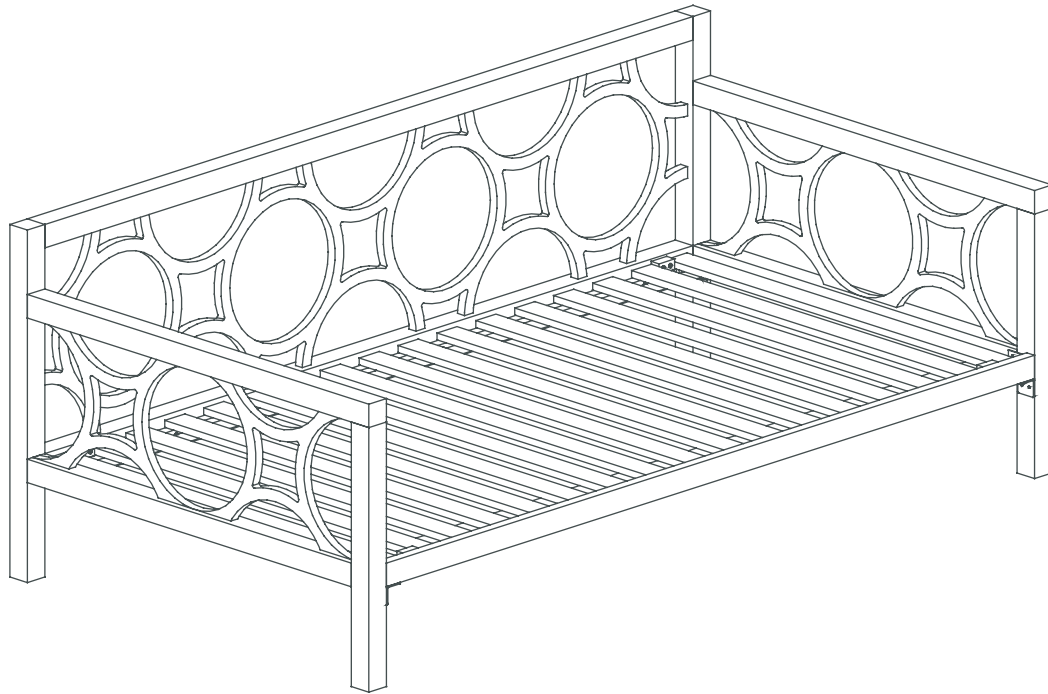


west elm :

circle cutout daybed

assembly instructions



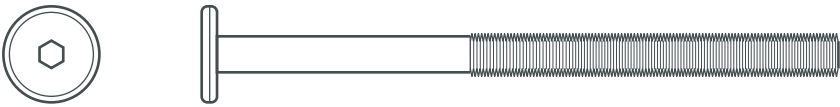
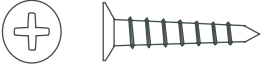
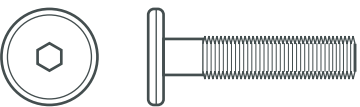


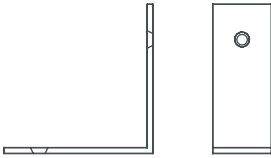
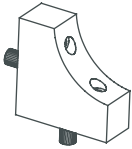
! Tools required : 

! Do not throw away packaging materials until assembly is complete.

! Assemble this item on a soft surface,

! Proper assembly of this item requires 2 people.

! Bed slats are not included in this box.

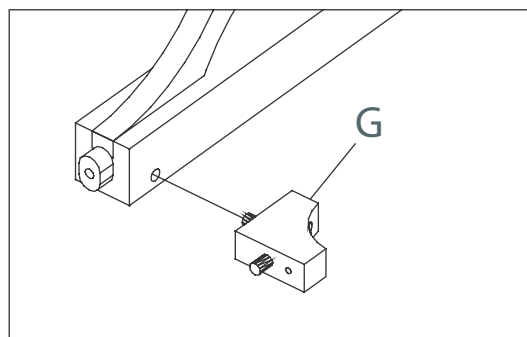
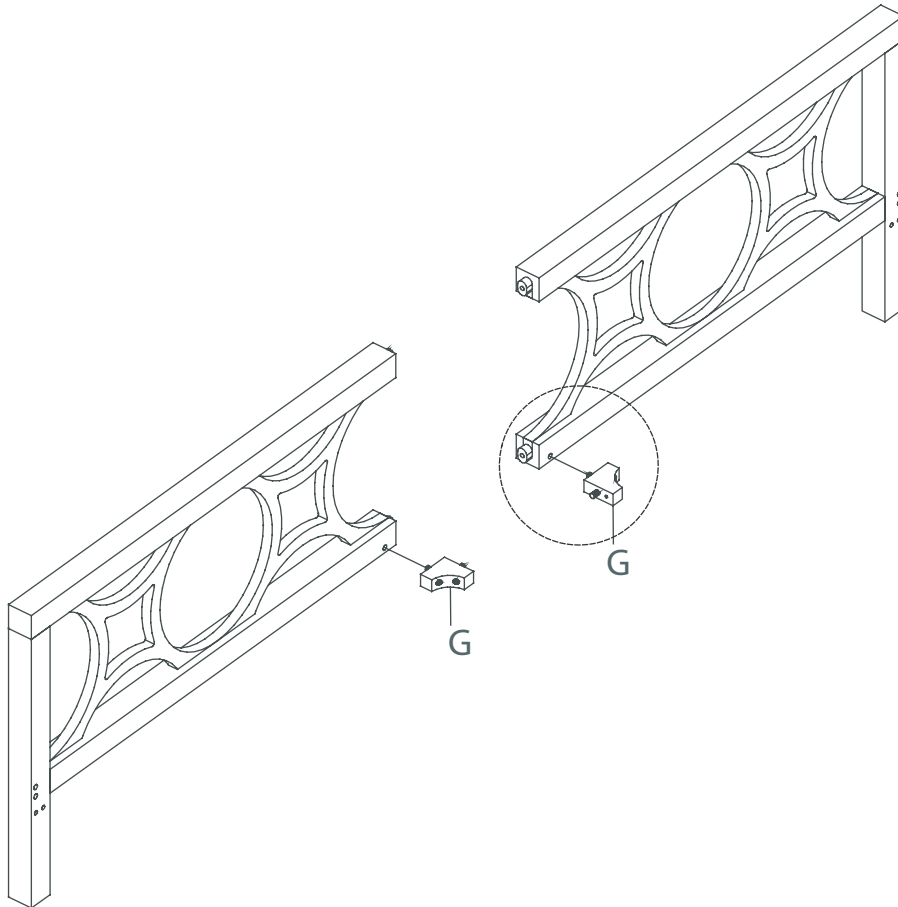
<p>A</p>  <p>bolt : 6mm dia x 60mm 4x</p>		
<p>B</p>  <p>screw 19mm 4x</p>	<p>C</p>  <p>bolt : 6mm dia x 19mm 4x</p>	<p>D</p>  <p>allen key 1x</p>
<p>E</p>  <p>screw 40mm 4x</p>	<p>F</p>  <p>plate 2" 2x</p>	<p>G</p>  <p>corner block 2x</p>

west elm :

circle cutout daybed

assembly instructions

1. Lay down left / right side panel.
2. Insert corner blocks (G) into the pre-drilled holes in side panel as shown.
3. Do not screw the corner block to the side panels yet.

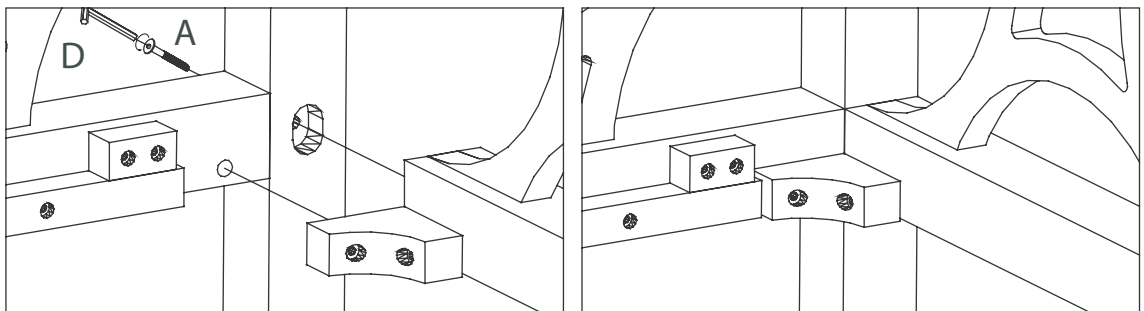
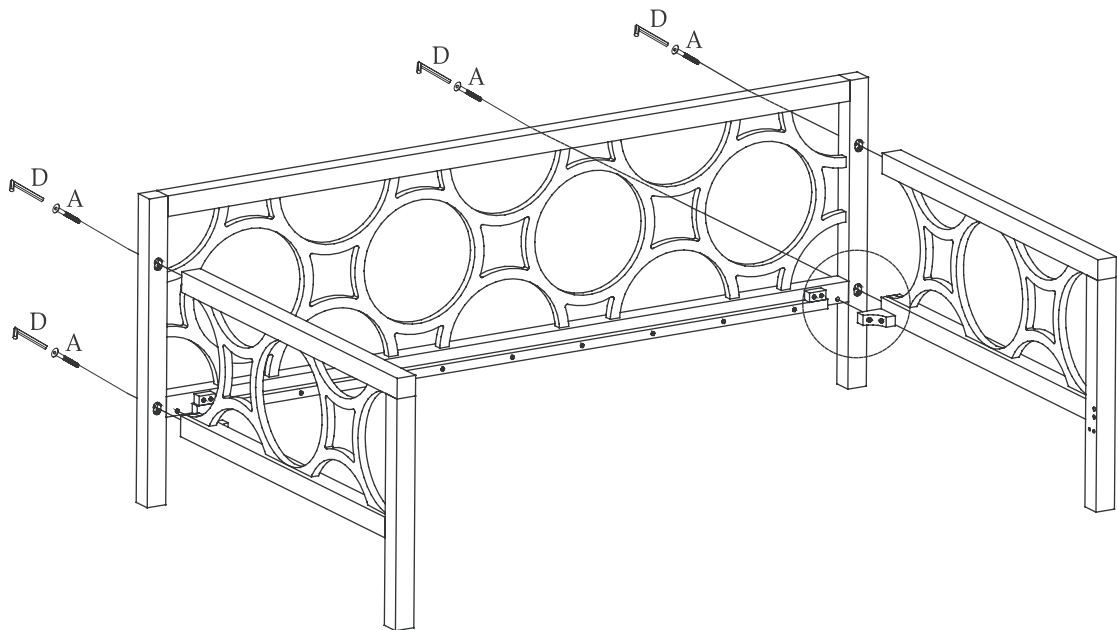


west elm:

circle cutout daybed

assembly instructions

4. Assemble side panels to back panel as shown.
5. Secure them with 4 bolts (A). Tighten with allen key (D).

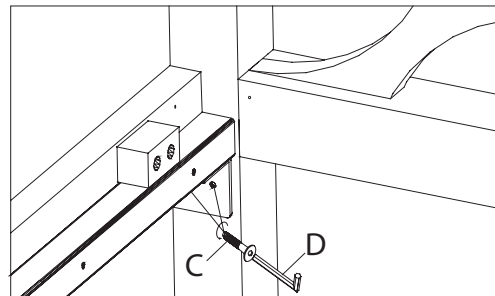
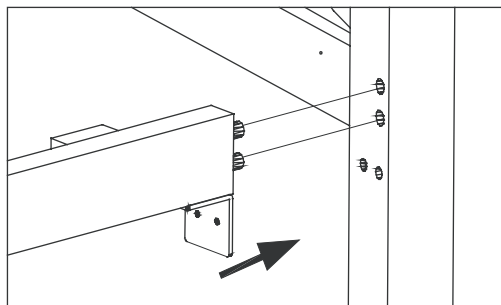
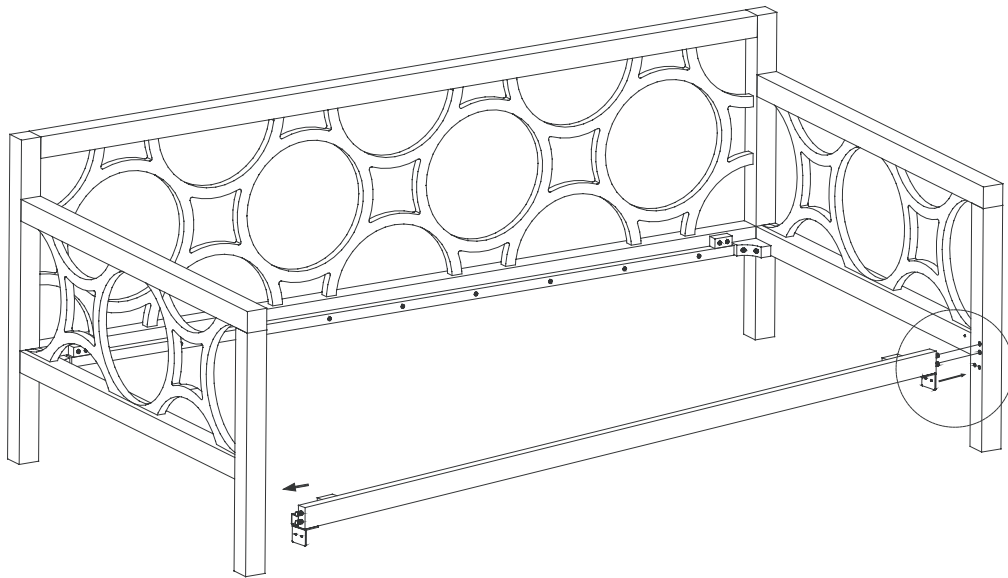


west elm:

circle cutout daybed

assembly instructions

6. Assemble front rail as shown.
7. Secure it with 4 bolts (C). Tighten with allen key (D).

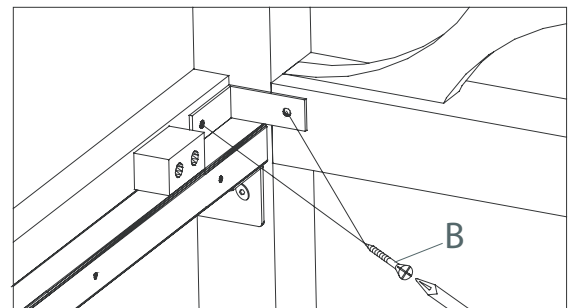
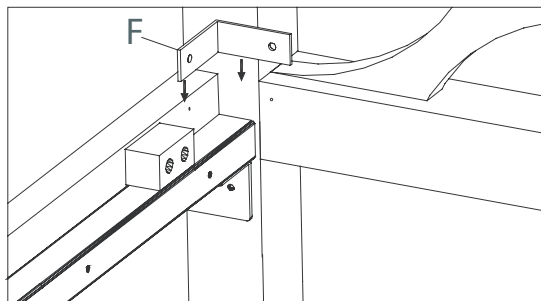
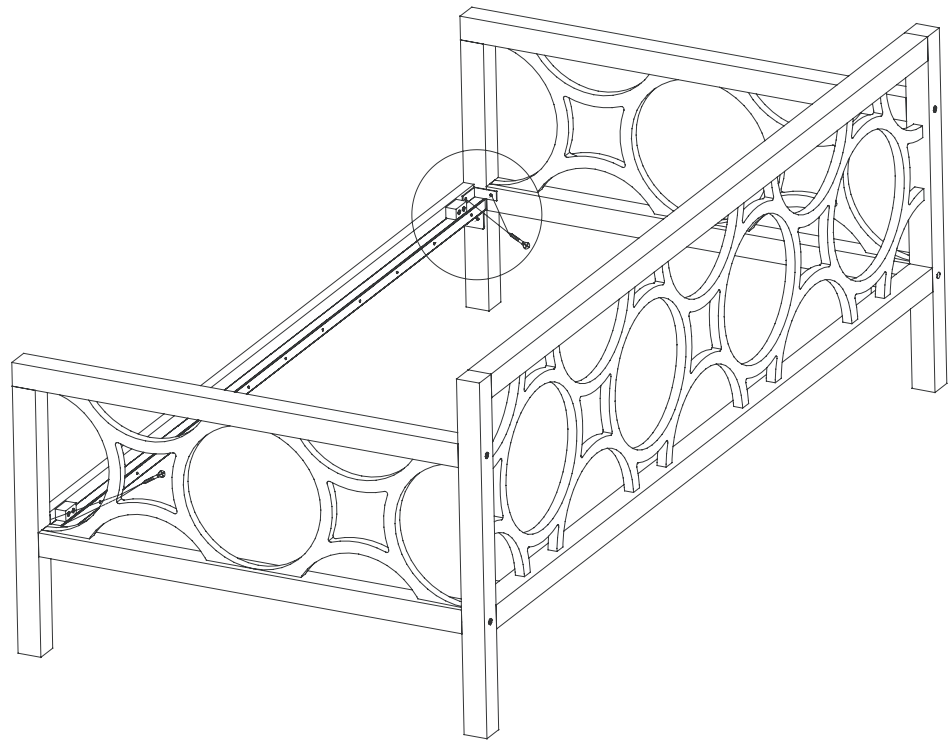


west elm :

circle cutout daybed

assembly instructions

8. Attach the L plates (F) to front rail and side panel as shown.
9. Secure them with 4 screws (B) - 2 screws for each side.

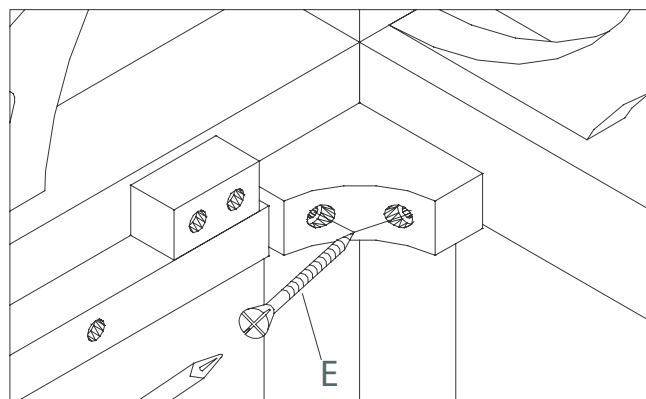
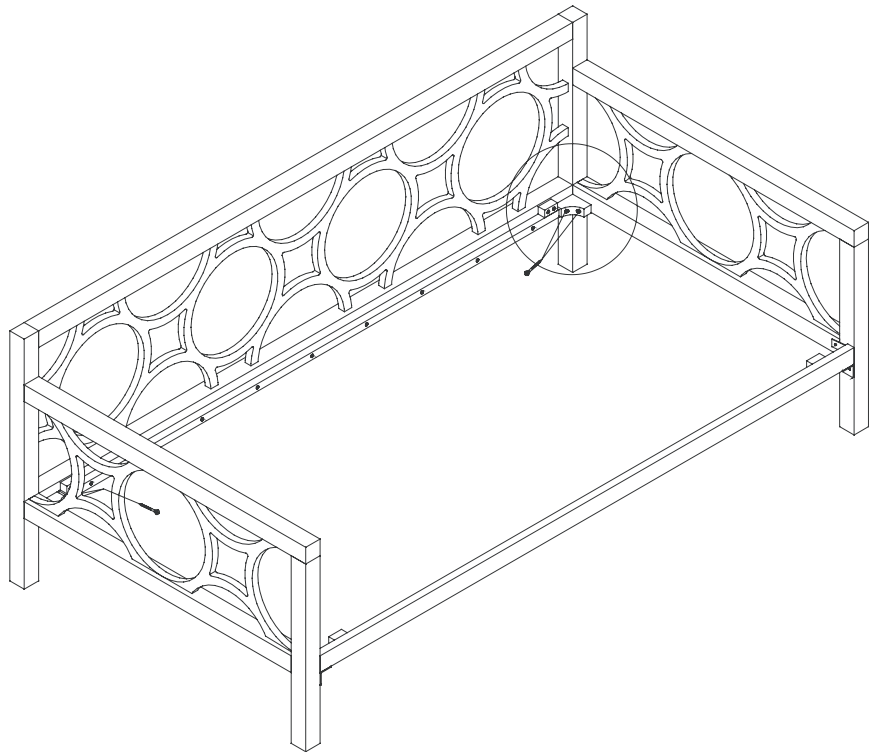


west elm :

circle cutout daybed

assembly instructions

10. Secure the corner blocks to back and side panels using 4 screws (E).
11. Check one more time and tighten all bolts and screws.

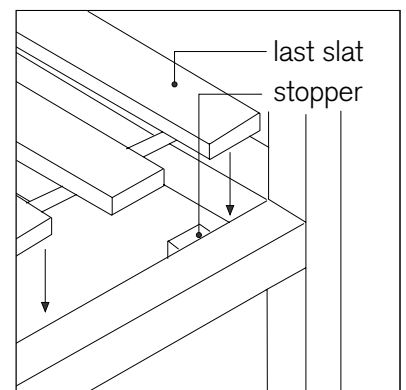
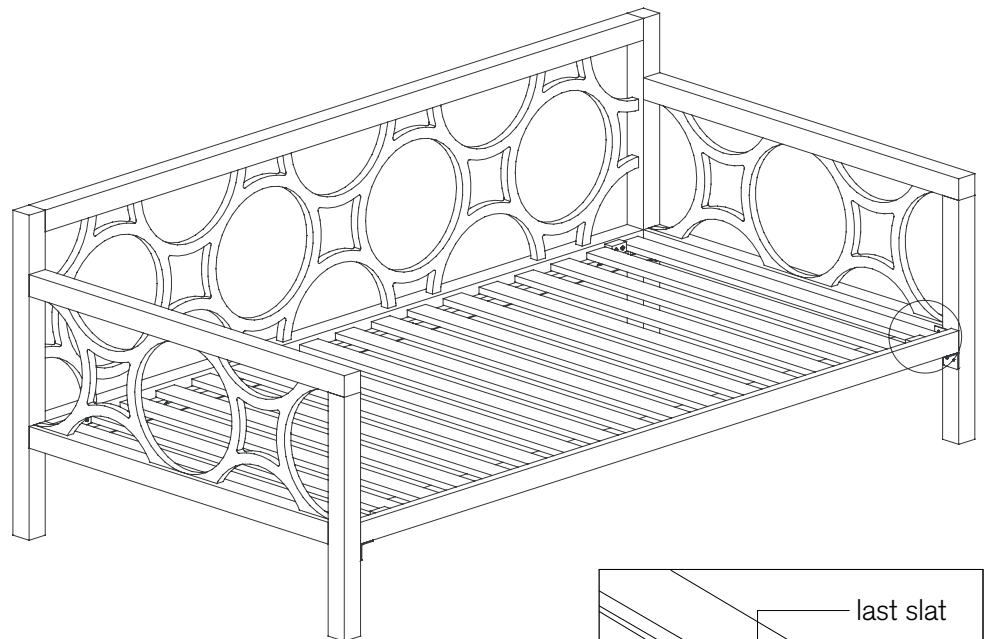


west elm :

circle cutout daybed

assembly instructions

12. Place bed slats on ledge on front rail and back panel. Stoppers on ledge hold last slats in place.



CARE INTRUCTIONS:

Hardware may loosen over time. Periodically check that all connections are tight. Wipe with a soft, dry cloth. To protect the finish, avoid the use of all chemicals and household cleaners.