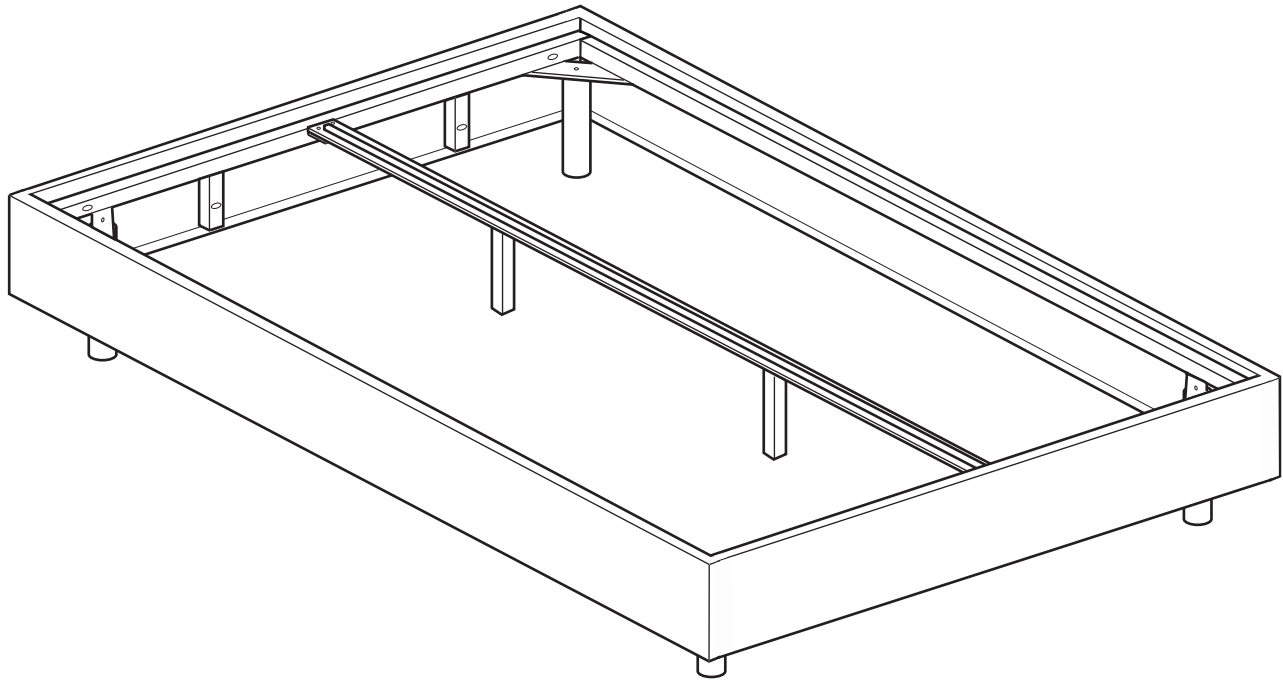

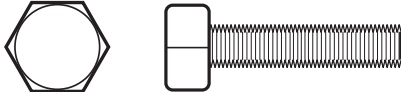
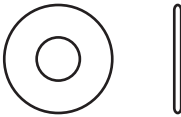




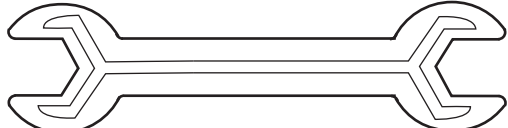
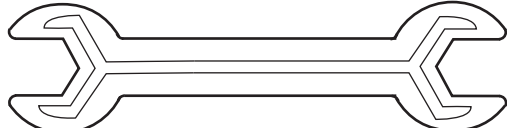


west elm : upholstered bedframe

assembly instructions



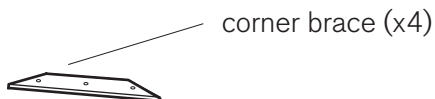
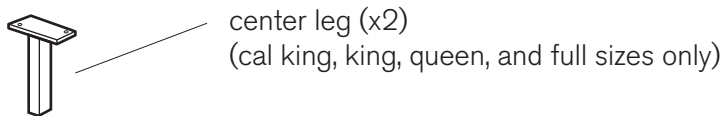
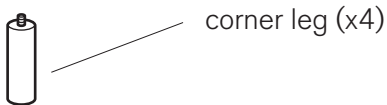
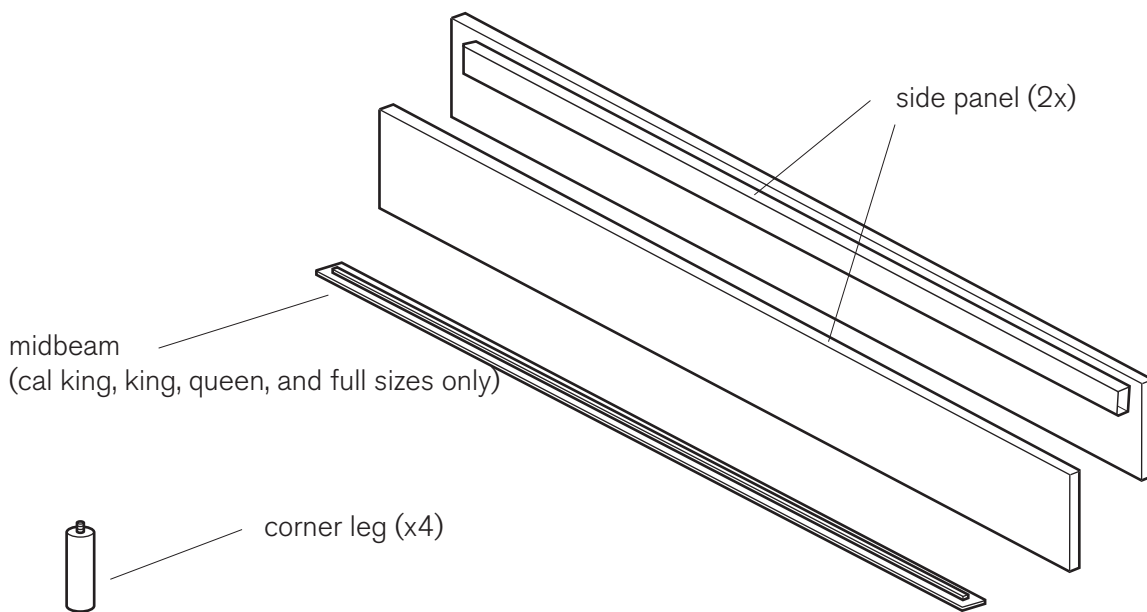
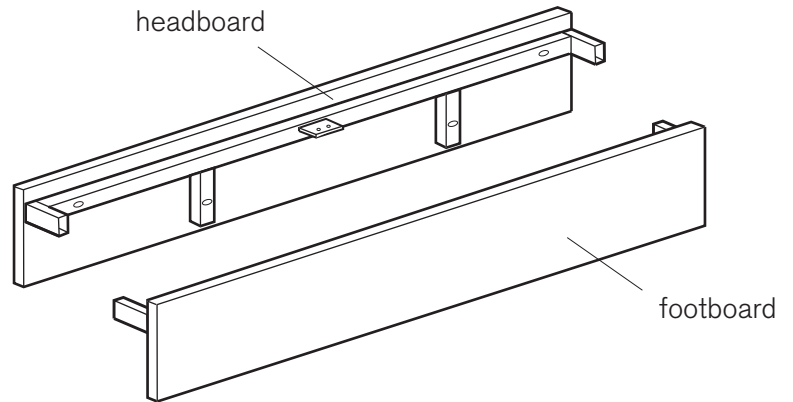
<p>A</p>  <p>small bolt 1/4"DIA x 5/8" (for full, queen, king, cal king size 8x) (for twin size 4x)</p>	<p>B</p>  <p>large bolt 5/16"DIA x 1" (for full, queen, king, cal king size 12x) (for twin size 8x)</p>	
<p>C</p>  <p>small metal washer (for full, queen, king, cal king size 8x) (for twin size 4x)</p>	<p>D</p>  <p>large metal washer 8x (for full, queen, king, cal king only)</p>	
<p>E</p>  <p>large nut (for full, queen, king, cal king size 8x) (for twin size 4x)</p>	<p>F</p>  <p>small nut 4x (for full, queen, king, cal king only)</p>	<p>G</p>  <p>lock washer 12x</p>
<p>H</p>  <p>small wrench (for full, queen, king, cal king size 2x) (for twin size 1x)</p>	<p>I</p>  <p>large wrench 1x</p>	

west elm : upholstered bedframe

assembly instructions

! Do not throw away packaging materials until assembly is complete.

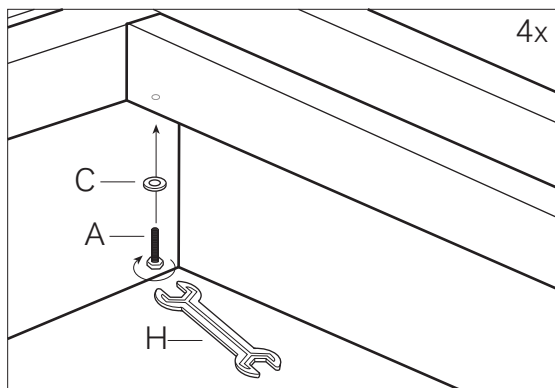
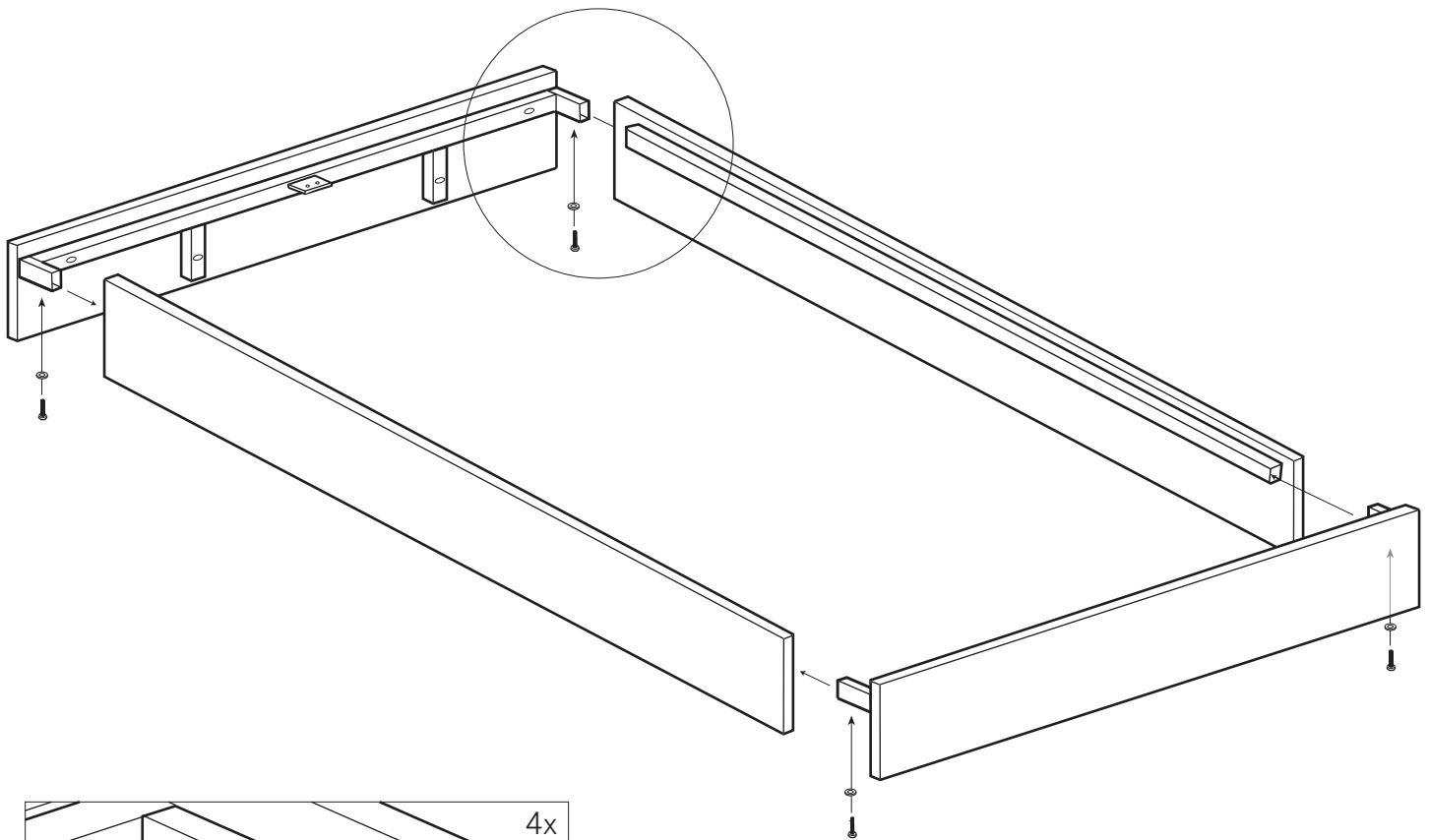
! Assemble this item on a soft surface, such as cardboard or carpet, to protect the finish.



west elm : upholstered bedframe

assembly instructions

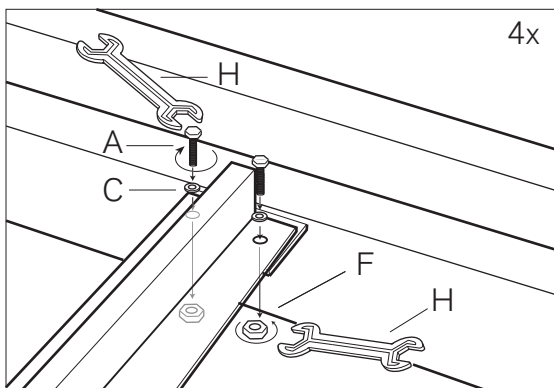
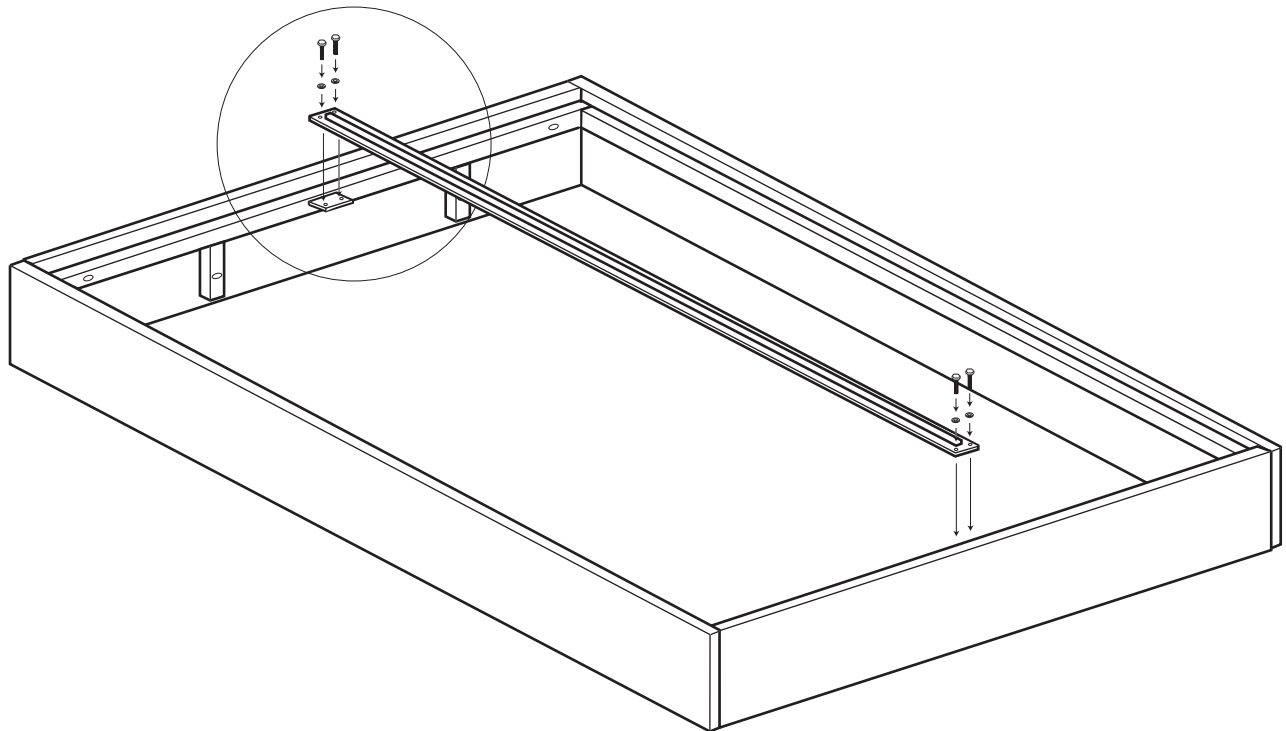
1. Insert the connectors on the footboard into the side rails. To attach, insert small bolt (A) through small washer (C) as shown. Tighten with small wrench (H).
2. Repeat step 1 with the headboard.



west elm : upholstered bedframe

assembly instructions

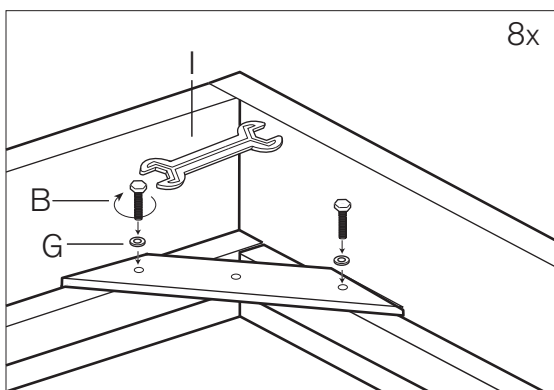
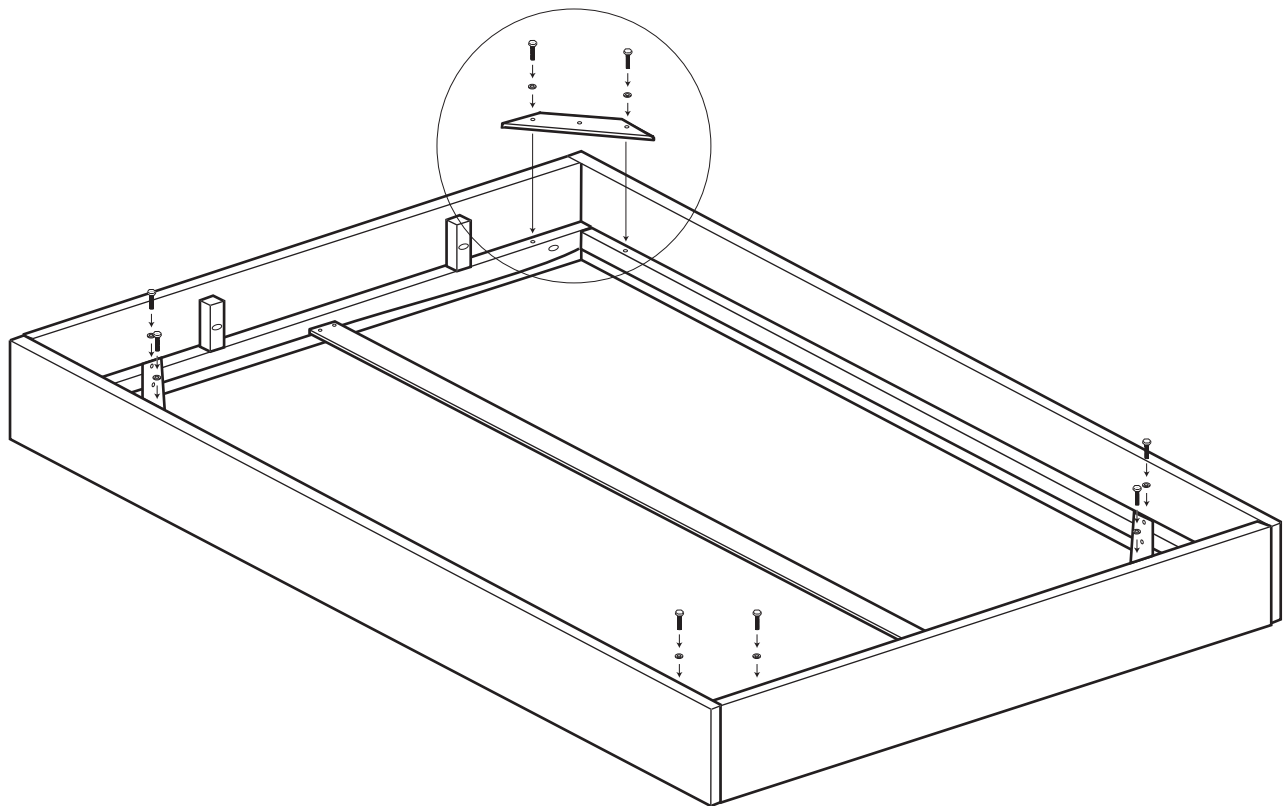
3. (For cal king, king, queen, and full sizes only) To attach the midbeam, insert small bolt (A) with small washer (C) through the holes at the ends of the midbeam, through the pre-drilled holes on the ledges on the inside center of the headboard and footboard and into small nut (F). Tighten with small wrench (H).



west elm : upholstered bedframe

assembly instructions

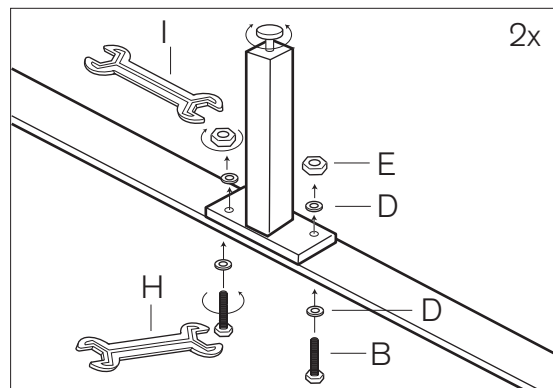
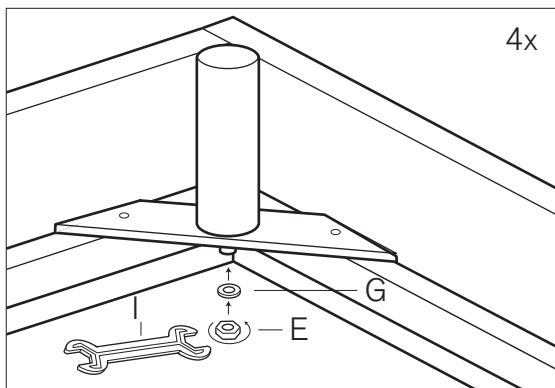
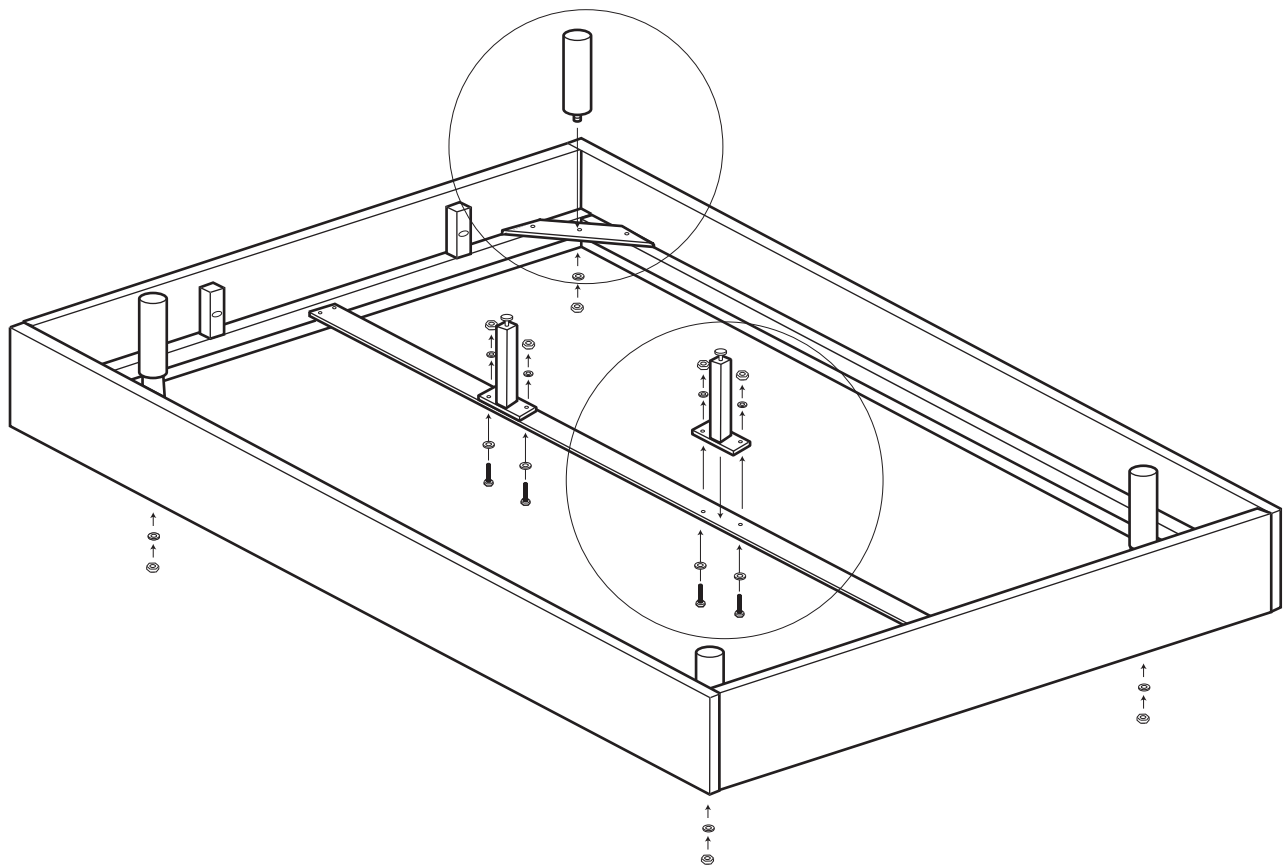
4. With help from another person, turn bedframe upside down.
5. To attach corner braces, insert large bolt (B) through lock washer (G), through holes in corner braces and into pre-drilled holes in frame as shown. Tighten with large wrench (I).



west elm : upholstered bedframe

assembly instructions

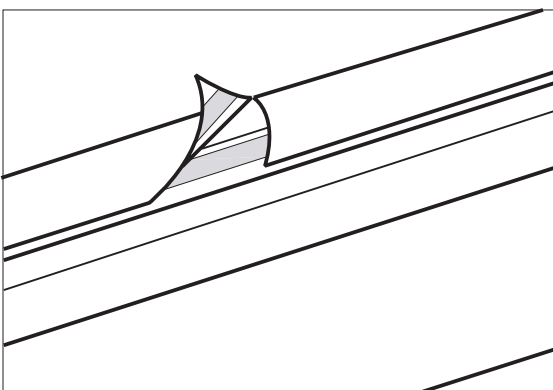
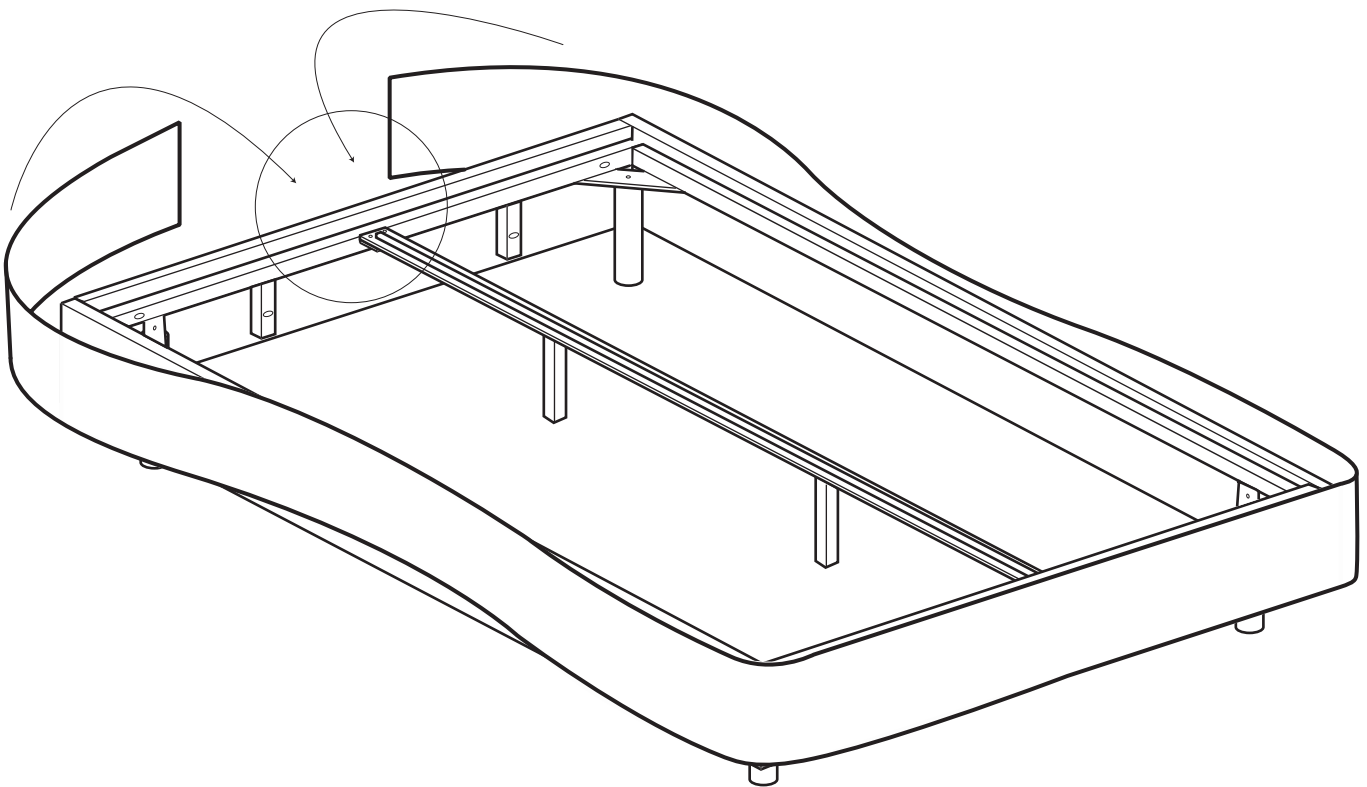
6. Attach corner legs by inserting post of corner leg through pre-drilled hole in center of corner brace, through lock washer (G) and into large nut (E). Tighten using large wrench (I).
7. (For cal king, king, queen, and full sizes only) Attach center legs by inserting large bolt (B) through large metal washer (D), through holes in center leg mouting plate, through pre-drilled holes in mid-beam, through small washer (D), and into large nut (E) as shown. Tighten using small wrench (H) and large wrench (I). Levelers on center legs can be adjusted.



west elm : upholstered bedframe

assembly instructions

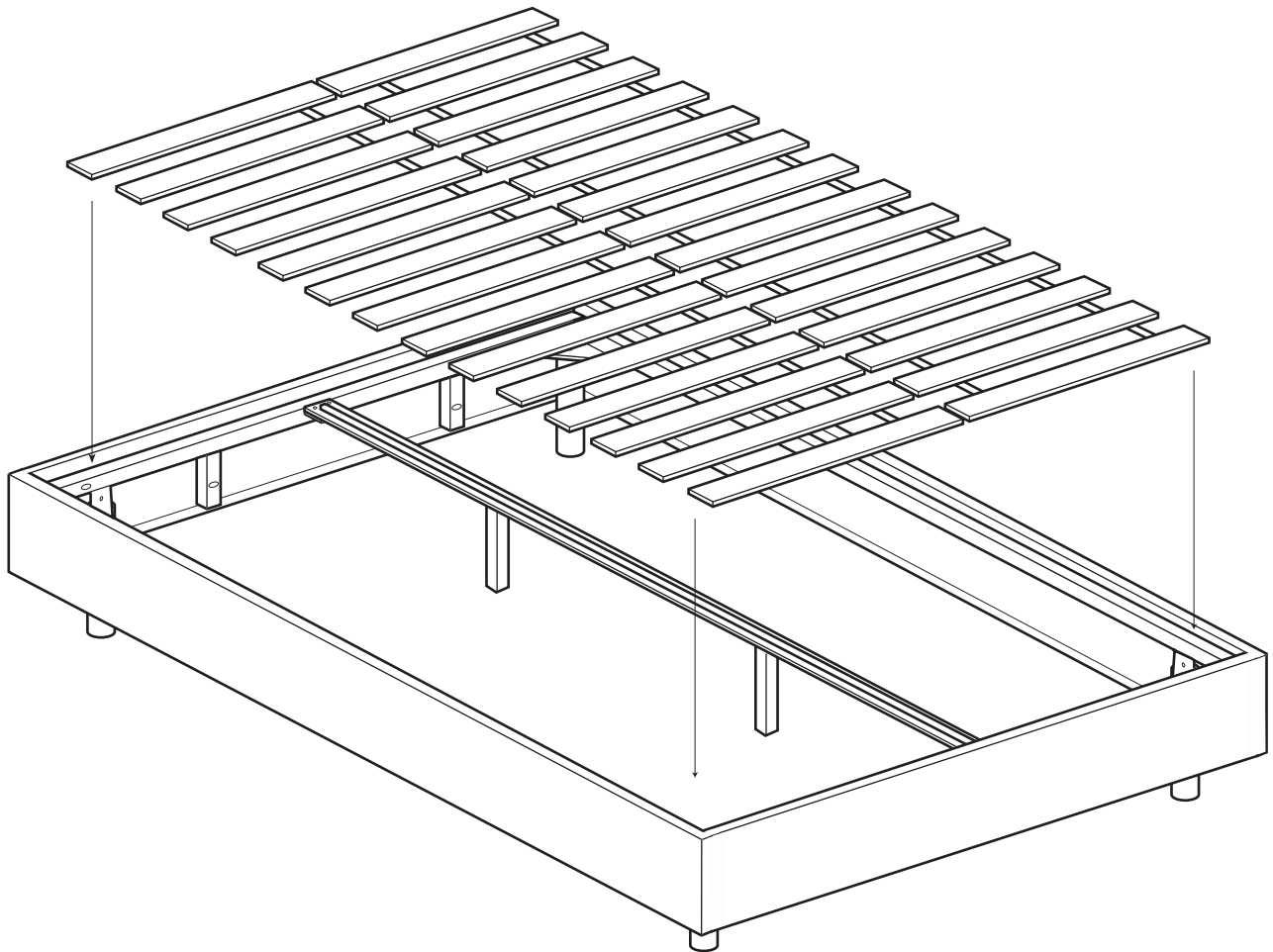
8. With help from another person, turn bedframe right-side up so that legs rest on the floor.
9. To attach slipcover, start at the two footboard corners and wrap slip cover over top and bottom edges and secure velcro fasteners. Take care to align seams with the corners of the bed before securing velcro. Using this technique, work your way along both sides towards the headboard.



west elm : upholstered bedframe

assembly instructions

10. Install slats. Position the bed slats as shown. There are stoppers attached at each end of the bed to prevent the bed slats from shifting. Twin beds will only have one set of slats. Cal king, king, queen, and full will have two as shown.



CARE INSTRUCTIONS. Hardware may loosen over time. Periodically check that all connections are tight.

Wipe with a soft, dry cloth. To protect the finish, avoid the use of all chemicals and household cleaners.