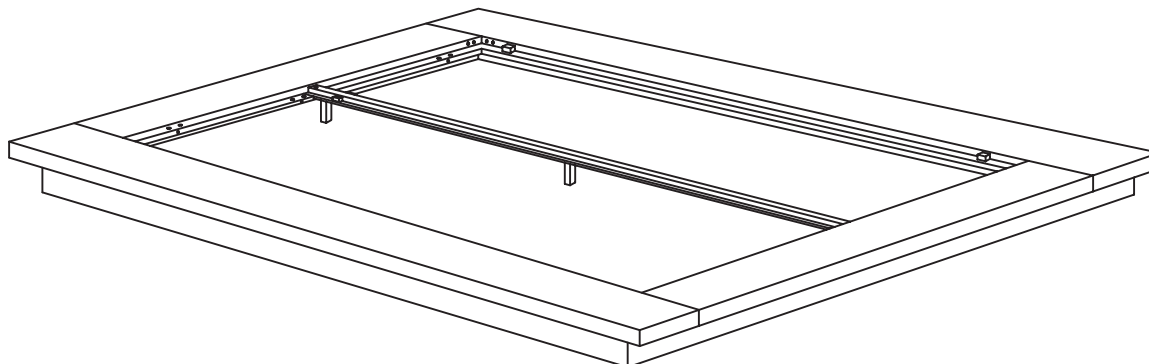



# w e s t e l m : low platform bed

assembly instructions

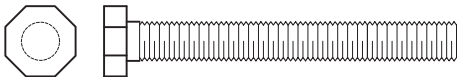


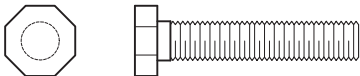


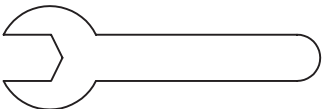



! Tools required : 

! Do not throw away packaging materials until assembly is complete.

! Assemble this item on a soft surface, such as cardboard or protect the finish.

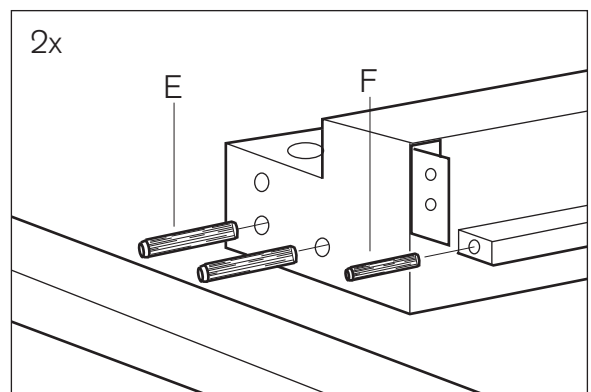
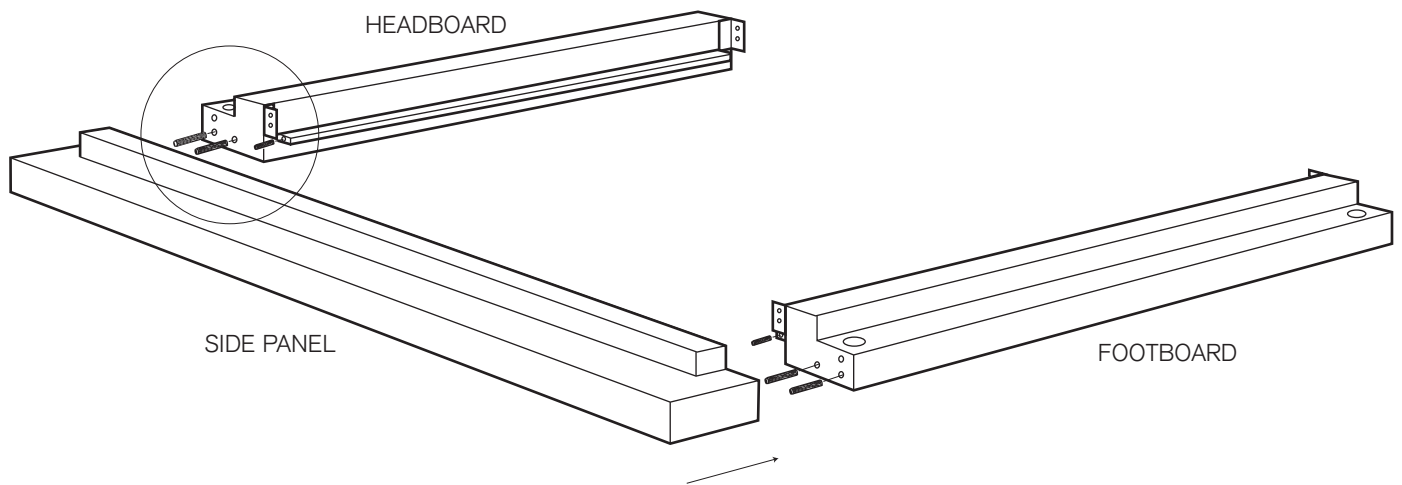
! Proper assembly of this item requires 2 people.

<p><b>A</b></p>  <p>bolt 1/4" dia x 2" 4X</p>	<p><b>B</b></p>  <p>metal washer 12X</p>
<p><b>C</b></p>  <p>lock washer 12X</p>	<p><b>D</b></p>  <p>bolt 3/8" dia x 1" 8X</p>
<p><b>E</b></p>  <p>large wooden dowel 8x</p>	<p><b>F</b></p>  <p>small wooden dowel 4 x</p>
<p><b>G</b></p>  <p>wrench 1X</p>	<p><b>H</b></p>  <p>Screw 2x</p>

# west elm : low platform bed

## assembly instructions

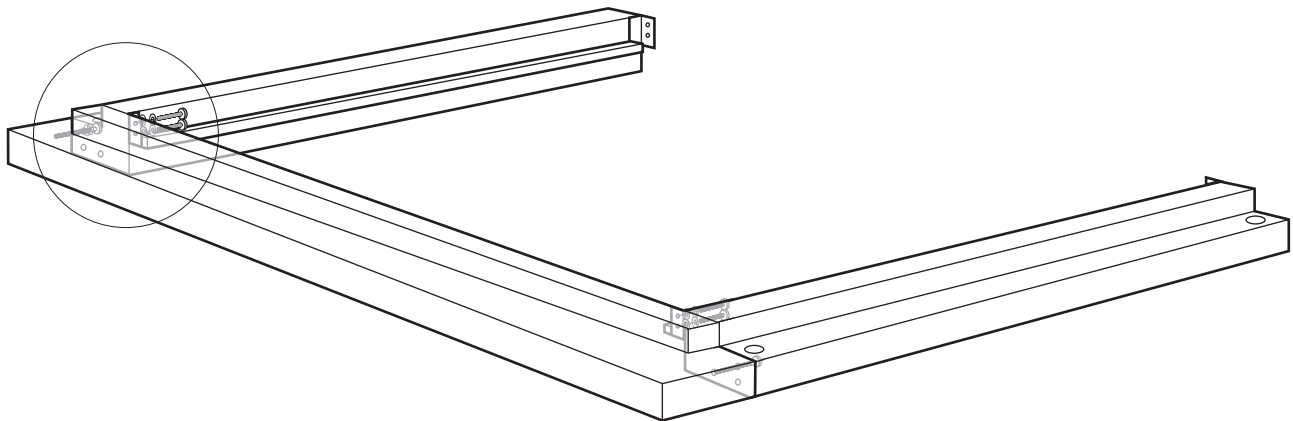
1. Carefully turn all panels upside down on a soft surface.
2. Insert large wooden dowels (E) and small wooden dowels (F) into holes as shown. Attach headboard and footboard to side panel by aligning dowels with holes on side panel.



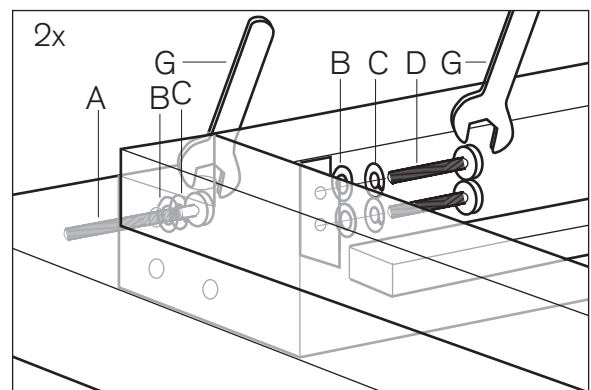
# west elm : low platform bed

## assembly instructions

3. Insert bolts (A) into holes on headboard and footboard as shown. Tighten with wrench (G).
4. Attach metal washer (B) and lock washer (C) with bolt (D). Insert into pre-drilled holes in metal bracket on headboard footboard as shown. Tighten with wrench (G).



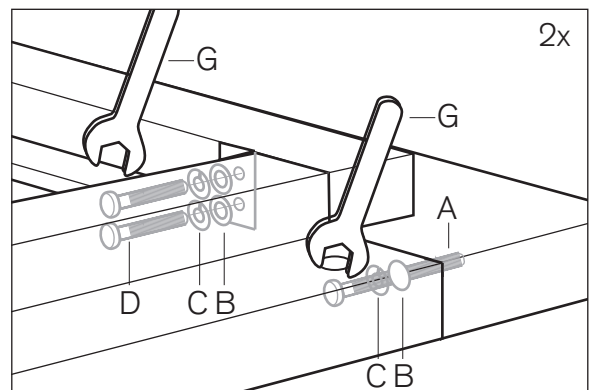
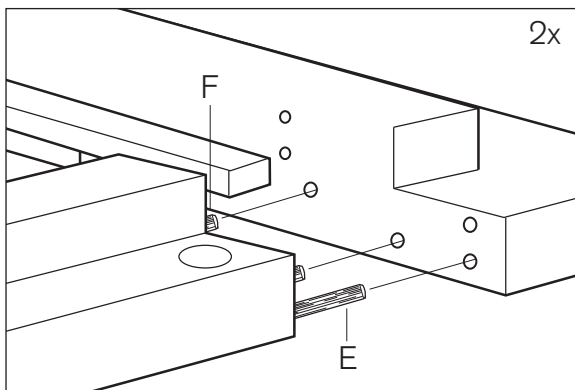
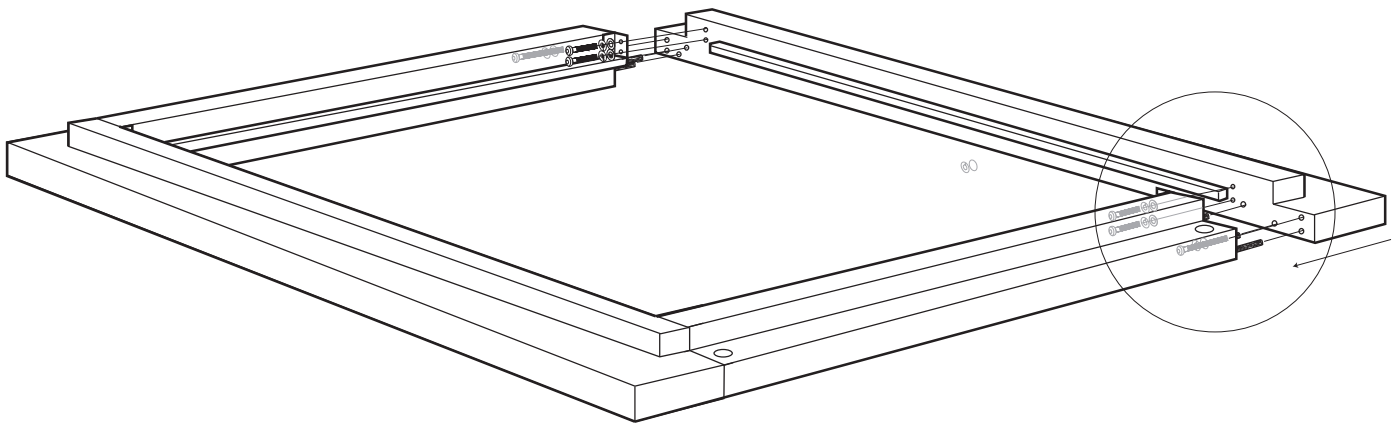
\*NOTE: Do not fully tighten all bolts until all parts are fully assembled.



# west elm : low platform bed

assembly instructions

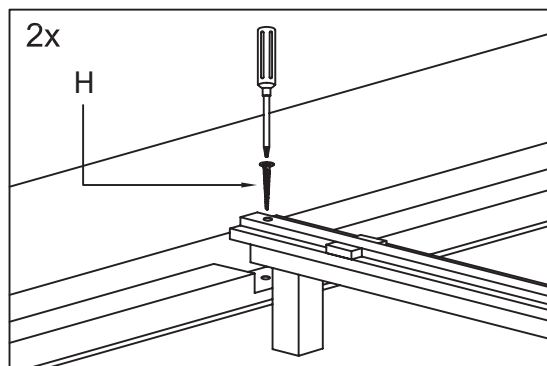
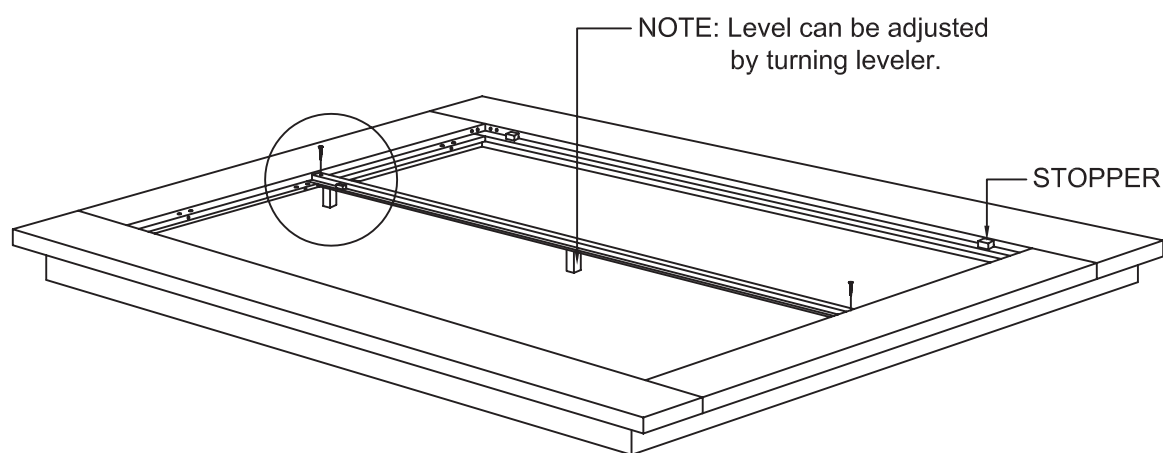
5. Repeat steps 2 through 4 to attach other side panel.



# w e s t e l m : low platform bed

## assembly instructions

6. With two people, carefully turn bed upright.
7. Place the midbeam in groove as shown. Midbeam has adjustable legs. (\* NOTE: There is no midbeam for twin size.)
8. Insert screw (H) through pre-drilled holes in mid-beam and into frame as shown. Tighten with screwdriver.
9. Place bed slats on outer ledges. Stoppers on ledge hold last slats in place.



### CARE INSTRUCTIONS:

Hardware may loosen over time. periodically check that all connections are tight.

Wipe with a soft, dry cloth. To protect the finish, avoid the use of all chemicals and household cleaners.