

! Tools supplied:

! Do not throw away packaging materials until assembly is complete.

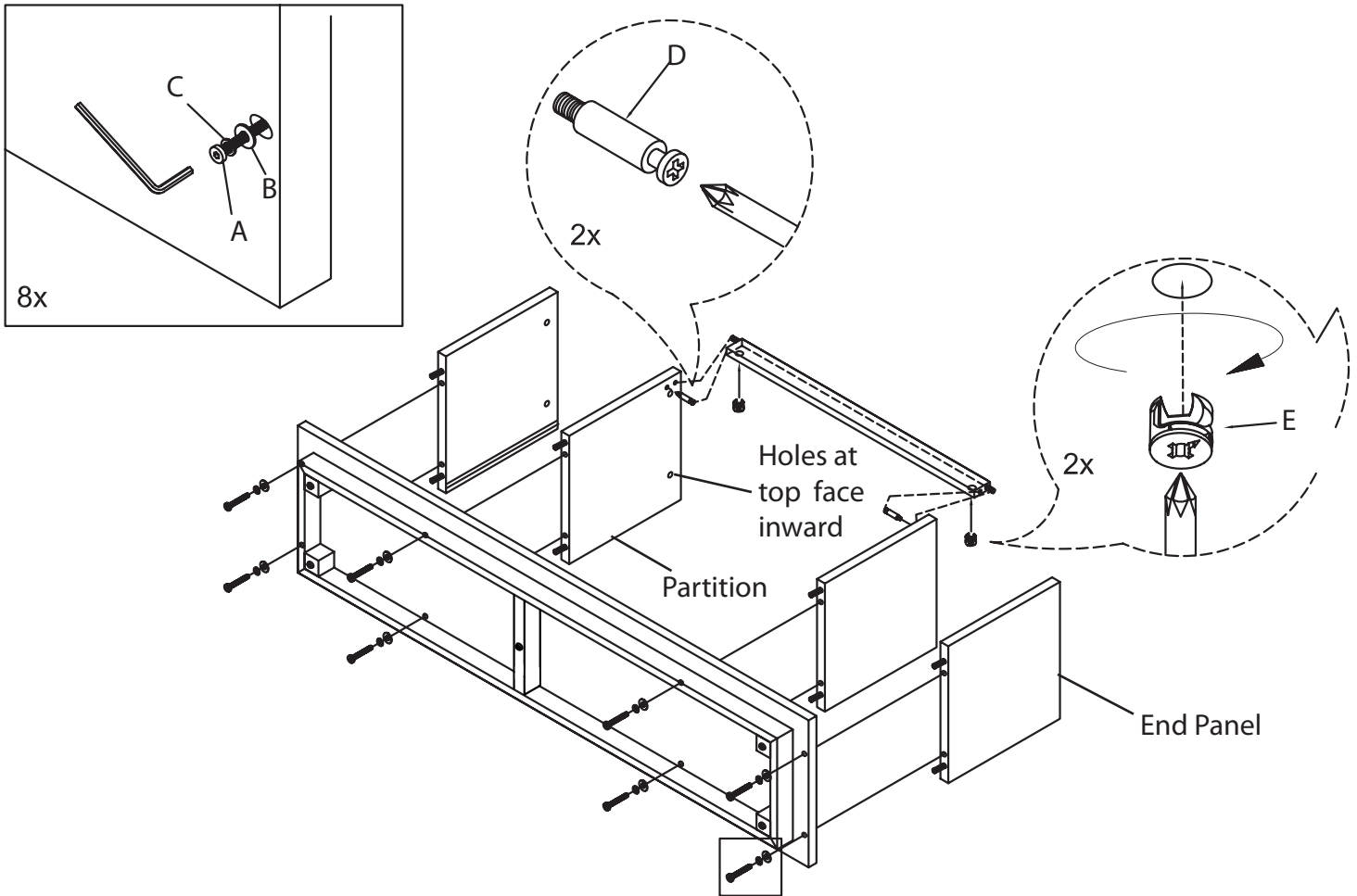
! Assemble this item on a soft surface, such as cardboard or carpet, to protect finish.

! Proper assembly of this item requires 2 people.

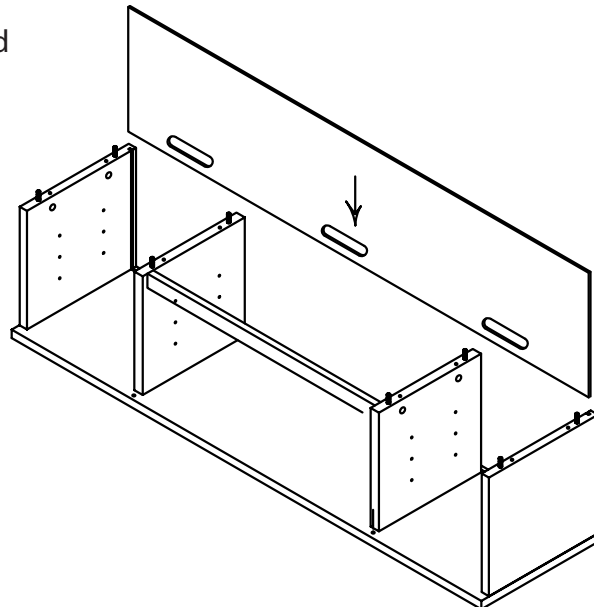
## Hardware

<p><b>A</b></p> <p>bolts 6mm x 30mm 8x</p>	<p><b>B</b></p> <p>flat washer 8x</p>
<p><b>C</b></p> <p>lock washer 8x</p>	<p><b>D</b></p> <p>cam bolt 10x</p>
<p><b>E</b></p> <p>com lock 10x</p>	<p><b>F</b></p> <p>shelf pin 12x</p>
<p><b>G</b></p> <p>screw 6x</p>	<p><b>H</b></p> <p>plastic clasp 6x</p>
<p>Mounting Plate 4x      Anti tip kit 2x      Nylon Strap 2x      Small Screw 4x      Large Screw 4x</p>	

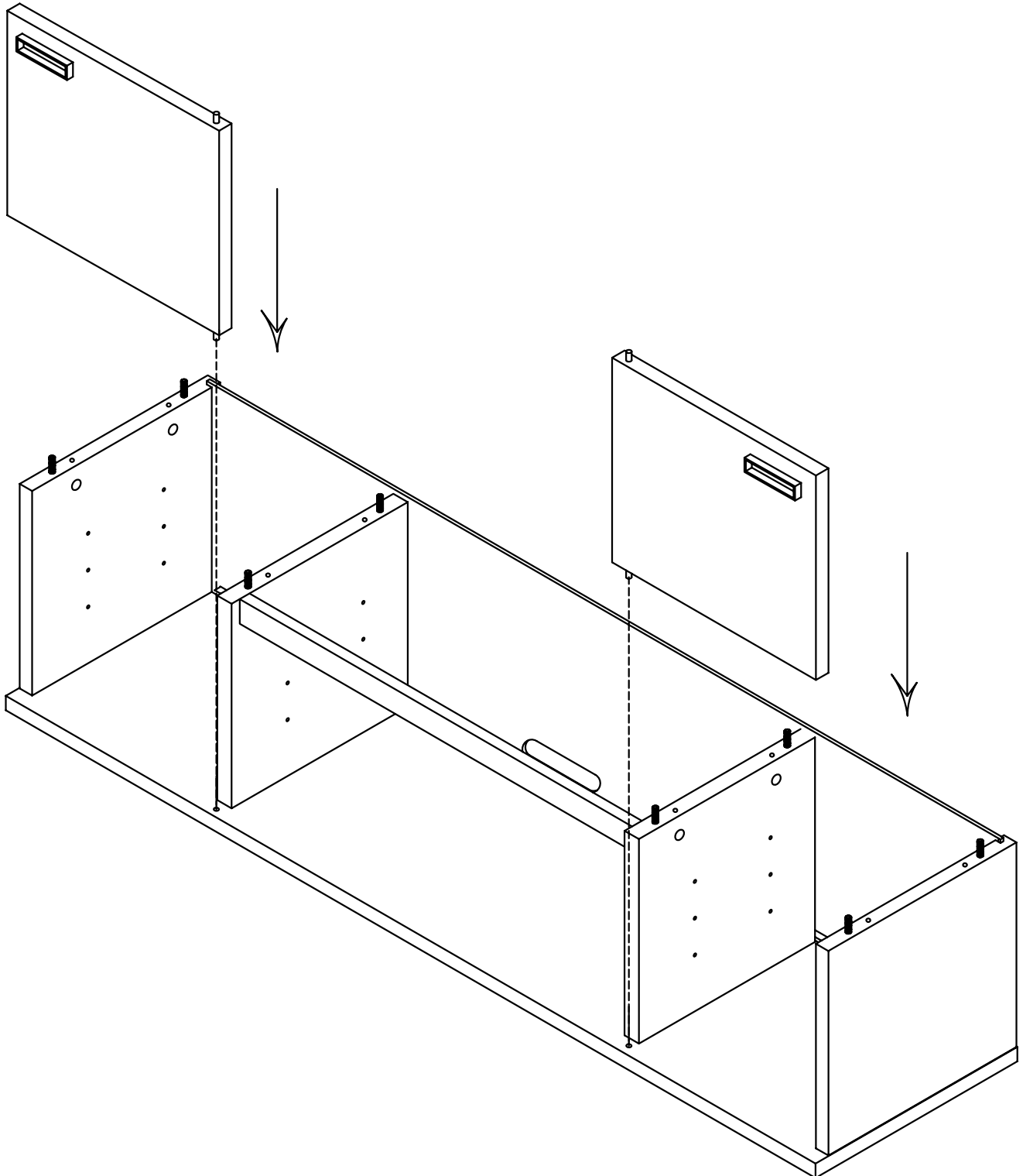
1. Align the end panels and partitions with the bottom frame as the drawing shows. Be sure the holes on the sides of the panels are facing toward the center of the case. Secure the end panels firmly by inserting bolt (A), flat washer (B) and lock washer (C). Attach the partitions in same manner but do not tighten completely. Screw in the cam bolts (D) at the top of the partitions. Insert cam locks into back of front rail. Align front rail with the cam bolts and press firmly into place. Turn cam locks clockwise to lock rail into place. Finish tightening bolt, flat washer and lock washer in bottom of partitions.



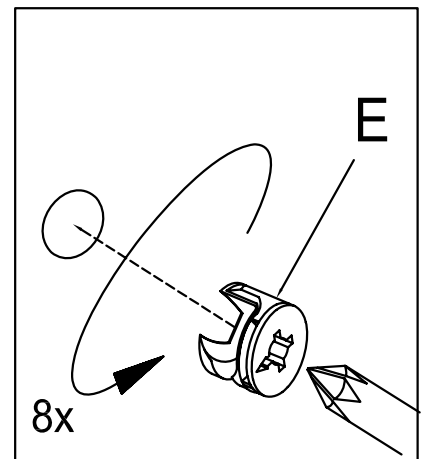
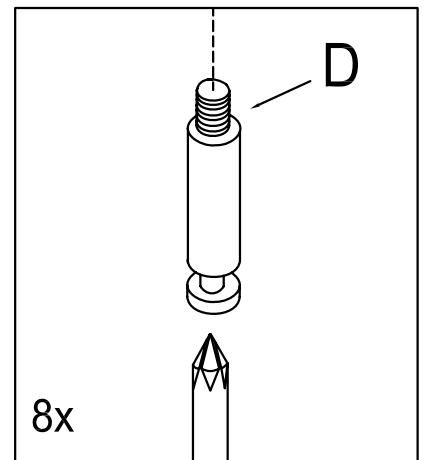
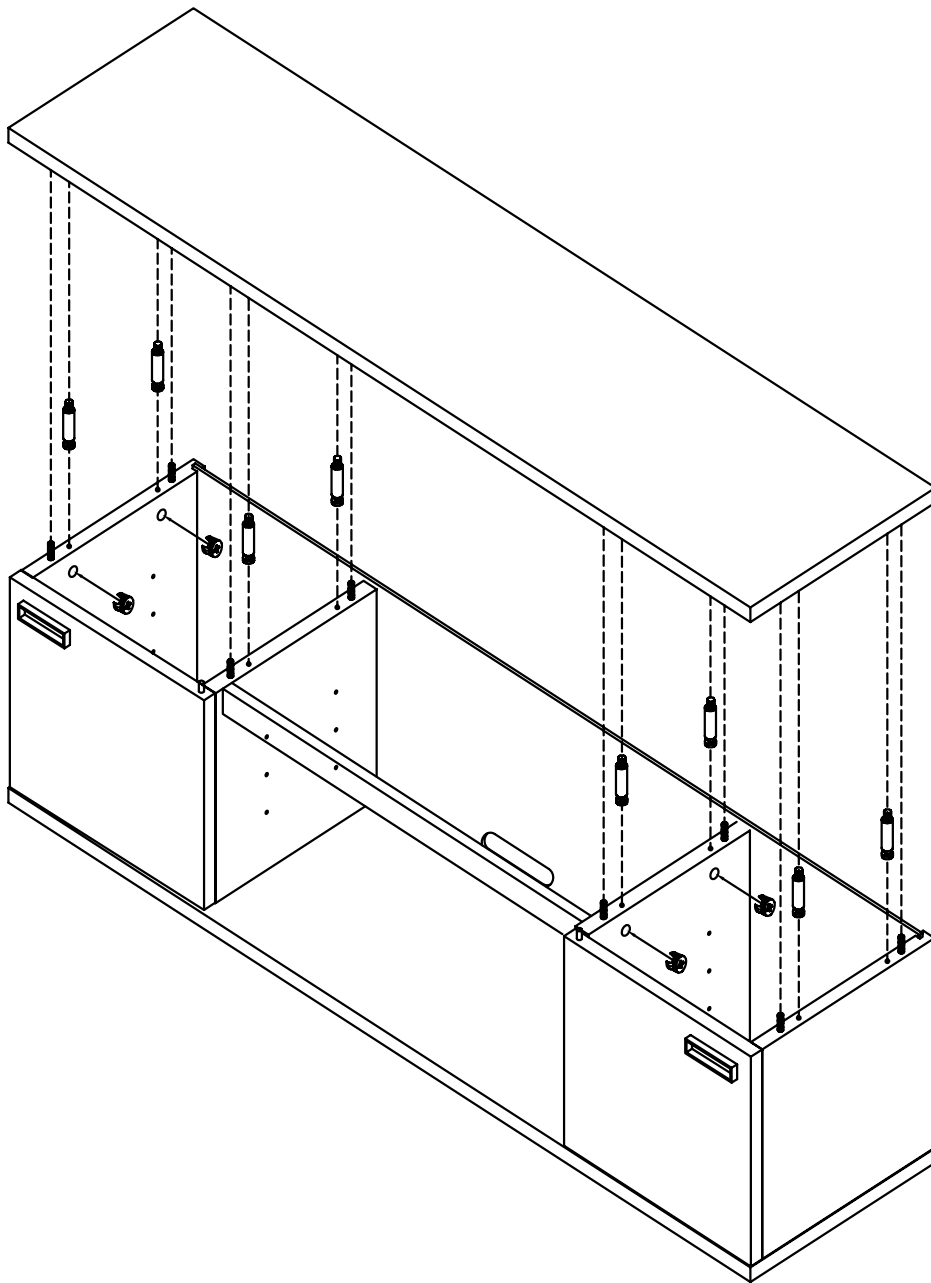
2. Slide back panel down into grooves in back of end panels as shown.



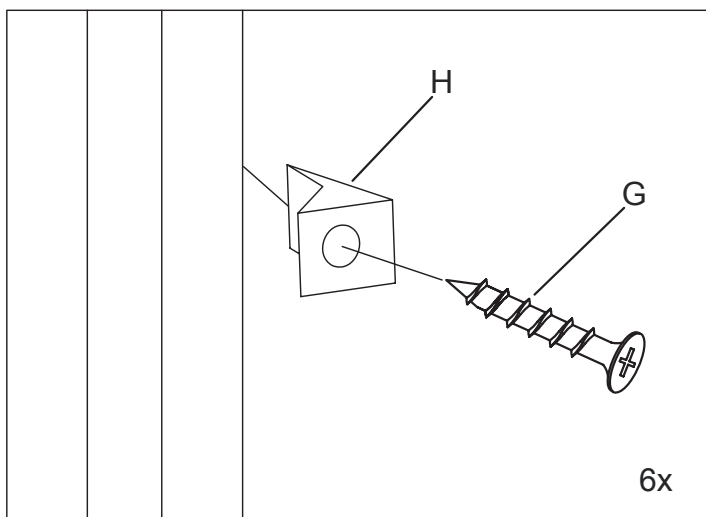
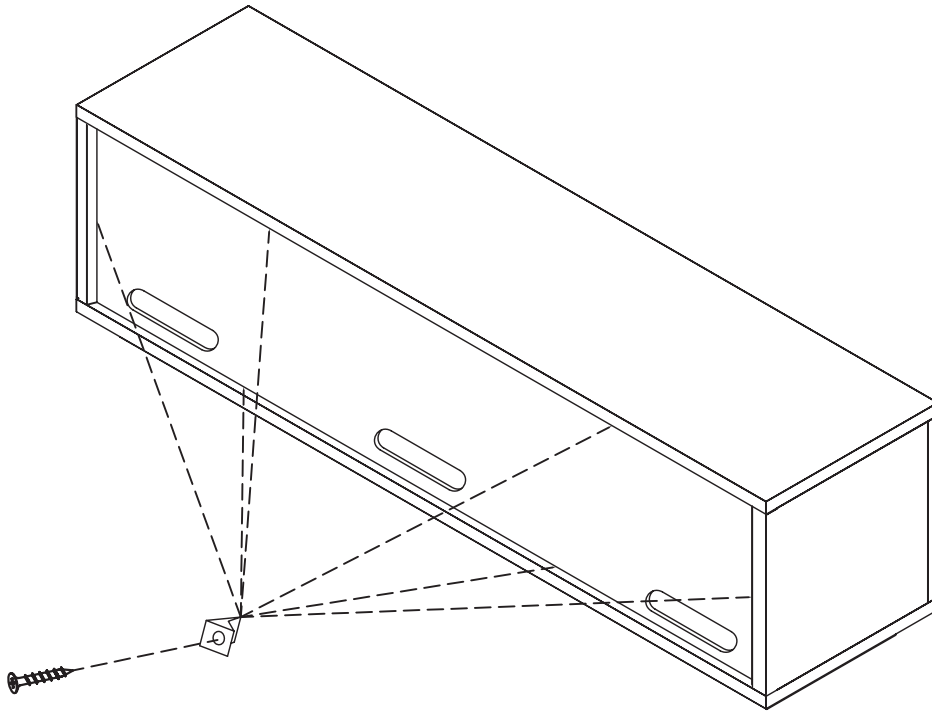
3. Align the doors with the holes in the bottom panel, making sure the door pulls are at the top outside of the doors as the drawing shows.



4. Insert cam bolts (D) into the bottom of the top panel. Insert cam locks (C) into the sides of the partitions and end panels. Press the top down onto the case and tighten the cam lock clockwise with a screwdriver.

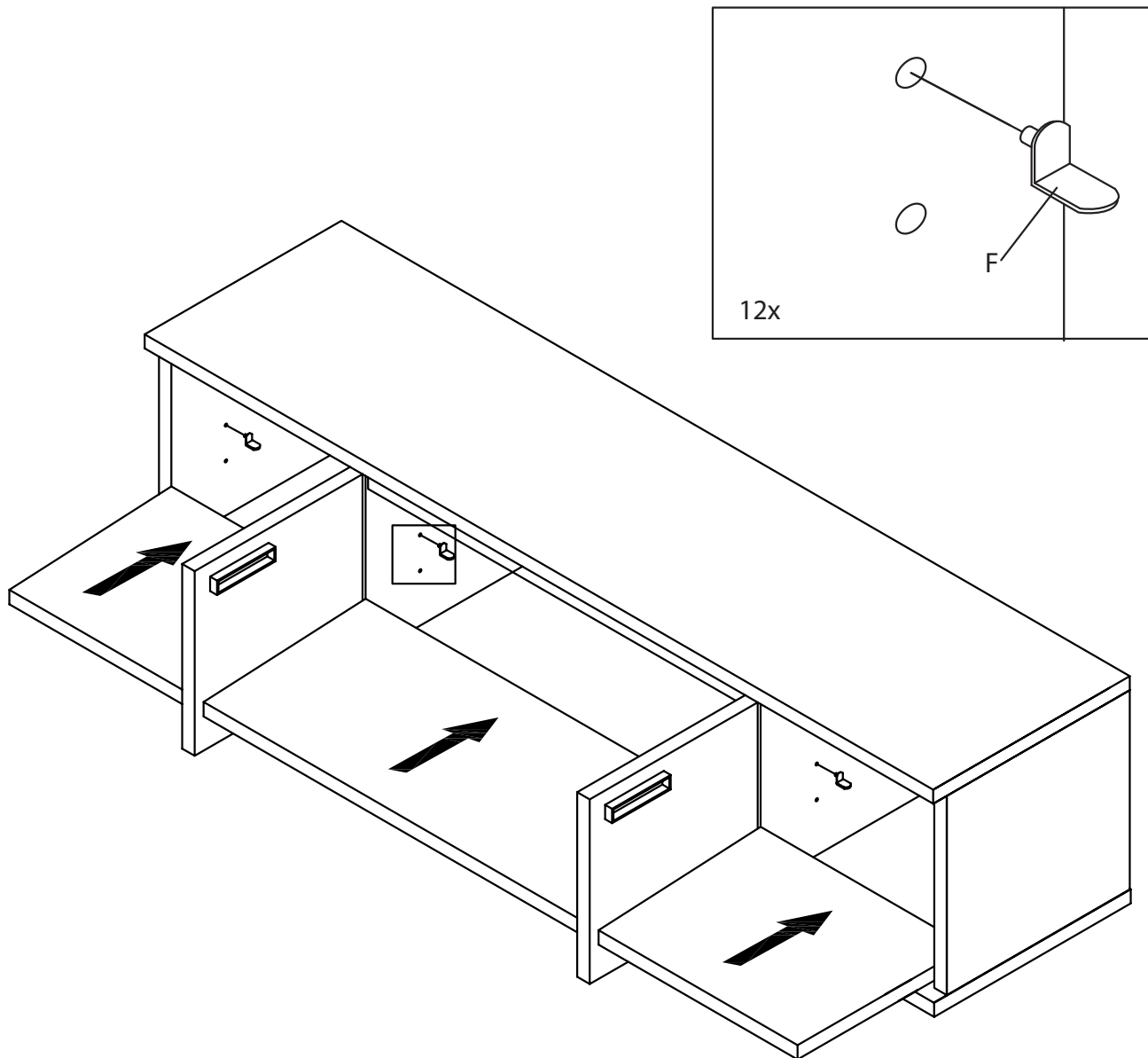


5. Press plastic clasps into grooves on back of unit like drawing shows. Insert screws into clasps. Tighten with screwdriver.



//

5. Open doors straight out. insert shelf pins (F) into the desired holes in the end panels and partitions.  
Carefully slide shelves into place.



#### CARE INSTRUCTIONS

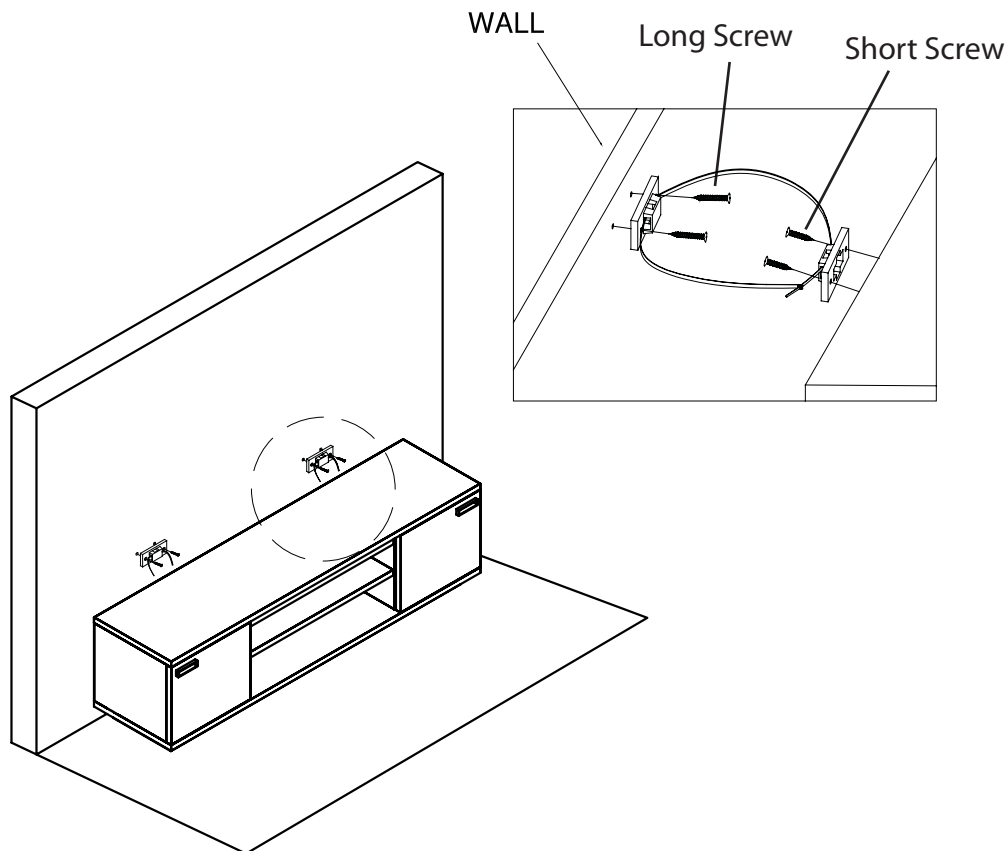
Hardware may loosen overtime. Periodically check that all connections are tight.

Wipe with a soft, dry cloth. To protect finish, avoid the use of chemicals and household cleaners.

NOTICE: To prevent injury and property damage from unexpected tipping of furniture, we highly recommend installation of the anti-tip kit included with this product.

Attaching unit to wall with anti-tip kits.

1. Determine where the unit is to be placed and mark location on the wall for the mounting bracket screw holes. They should be placed approximately 1" below the top on the back of the unit.
2. Attach the mounting bracket vertically to the wall by inserting the long screws provided through the holes in the bracket and tightening securely using screwdriver. Screws must penetrate wall studs for proper installation.
3. Next using the short screws attach the 2nd bracket to the back of the unit top.
4. Lace the nylon strap down through the brackets. Slide the thin end of the strap through the receiving end of the nylon strap. Pull to tighten tower snug against wall.



Adjustable levelers are installed in the legs to accommodate uneven flooring. To adjust these levelers, simply turn them counterclockwise to raise the leg.

#### CARE INSTRUCTIONS

Hardware may loosen overtime. Periodically check that all connections are tight.

Wipe with a soft, dry cloth. To protect finish, avoid the use of chemicals and household cleaners.