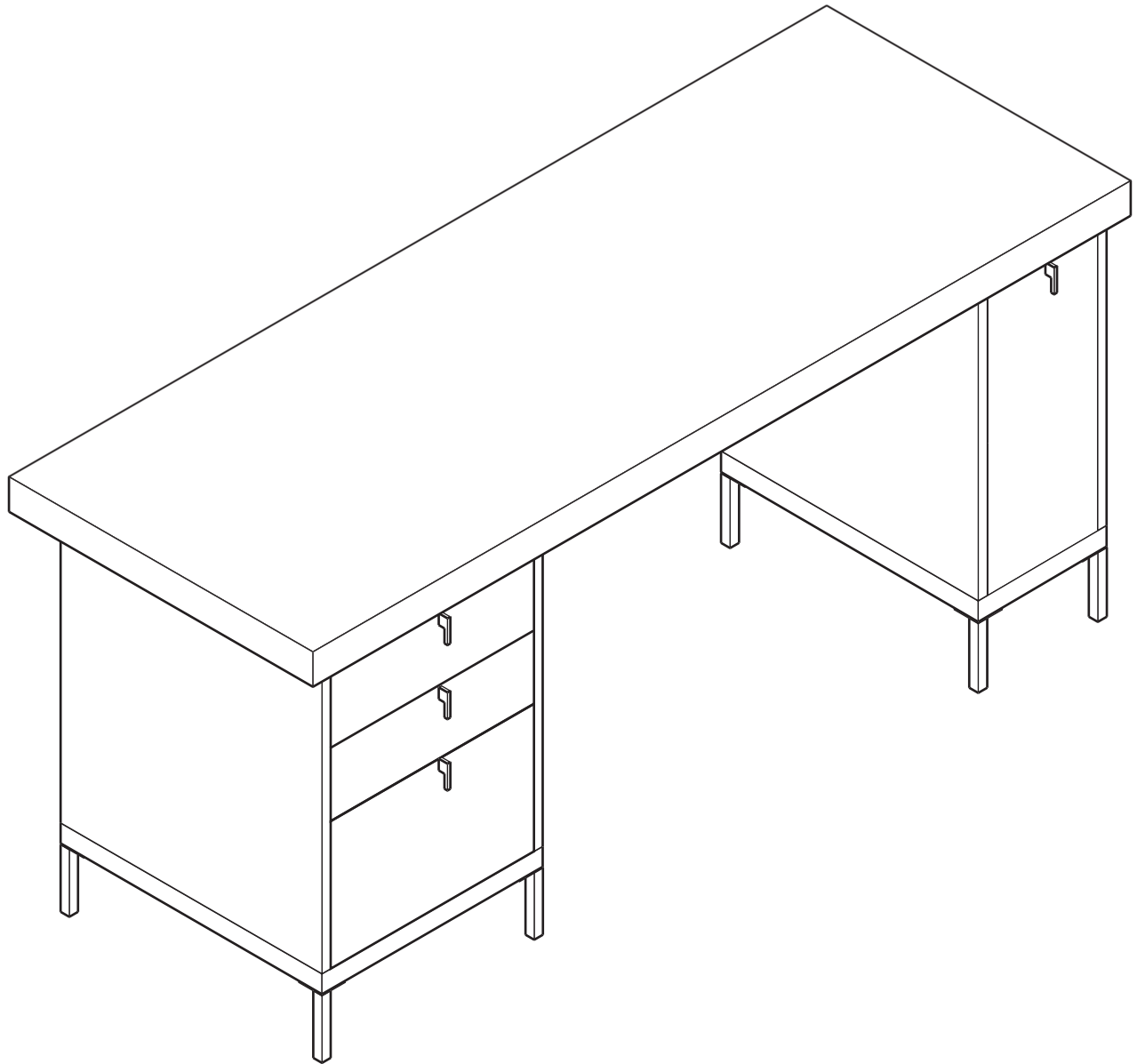


# west elm : metal leg storage desk

assembly instructions



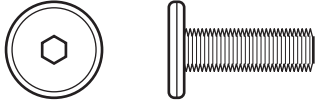


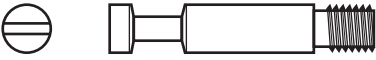


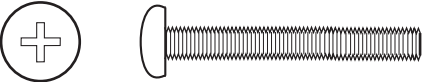

# west elm : metal leg storage desk

## assembly instructions

! Tools required: 

! Do not throw away packaging materials until assembly is complete.

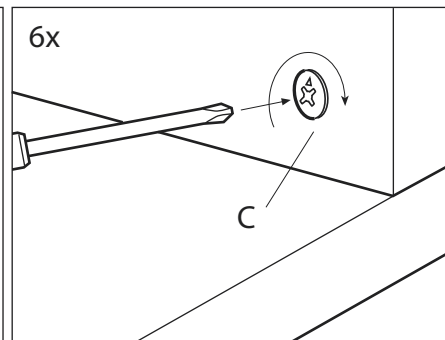
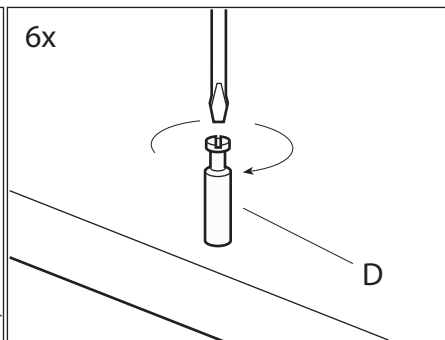
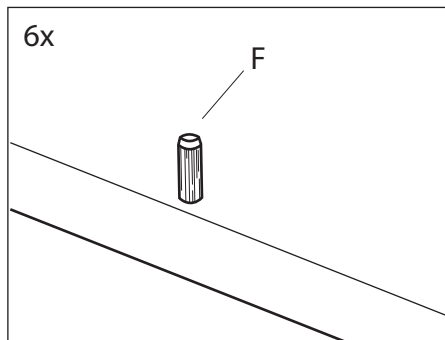
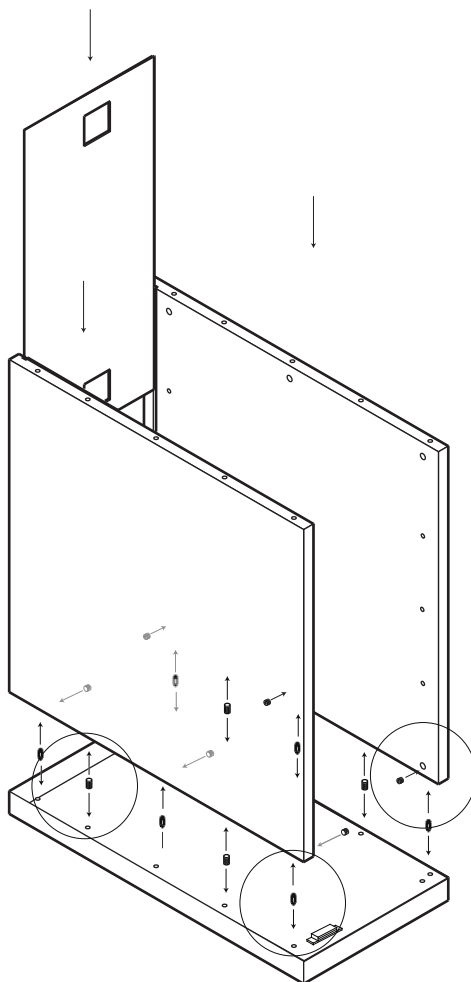
! Assemble this item on a soft surface, such as cardboard or carpet, to protect the finish.

<p>A</p>  <p>bolt: 1/4" dia x 3/4" 24x</p>	<p>B</p>  <p>allen key 1x</p>
<p>C</p>  <p>cam lock 12x</p>	<p>D</p>  <p>cam 12x</p>
<p>E</p>  <p>shelf pin 4x</p>	<p>F</p>  <p>wood dowel 8x</p>
<p>G</p>  <p>screw: 5/32" dia x 1" 4x</p>	<p>H</p>  <p>door washer 2x</p>

# west elm : metal leg storage desk

## assembly instructions

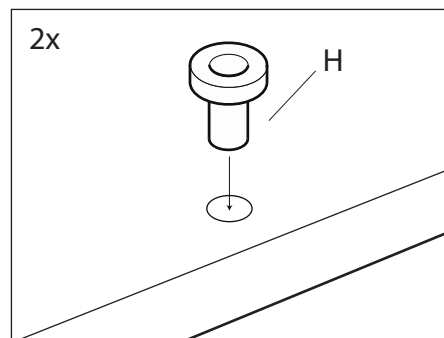
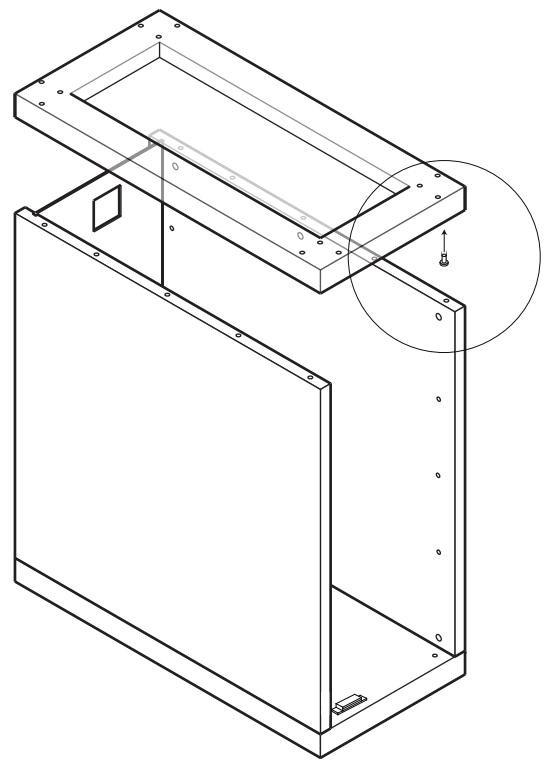
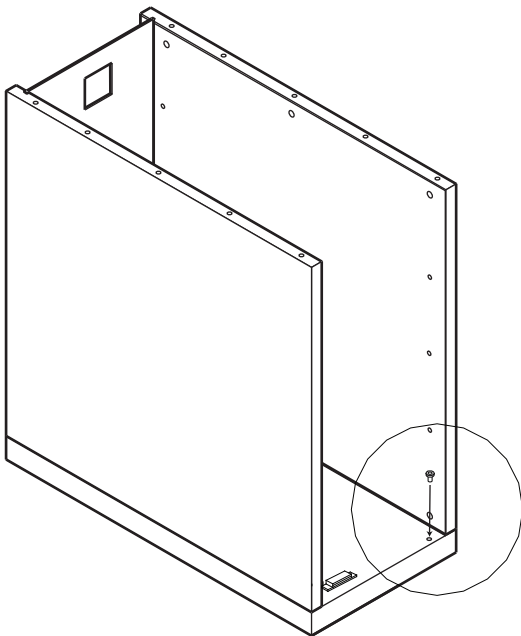
1. Assembly begins with the cabinet upside down. Insert wooden dowels (F) into pre-drilled holes in the bottom-side of the top panel as shown.
2. Insert cams (D) into pre-drilled holes in the bottom-side of the top panel as shown. Tighten with phillips-head screw driver.
3. Set side panels into place over cams and wooden dowels, and slide back panel into channels in side panels as shown. Insert cam locks (C) into pre-drilled holes in the side panels as shown. Tighten with phillips-head screw driver.



# west elm : metal leg storage desk

## assembly instructions

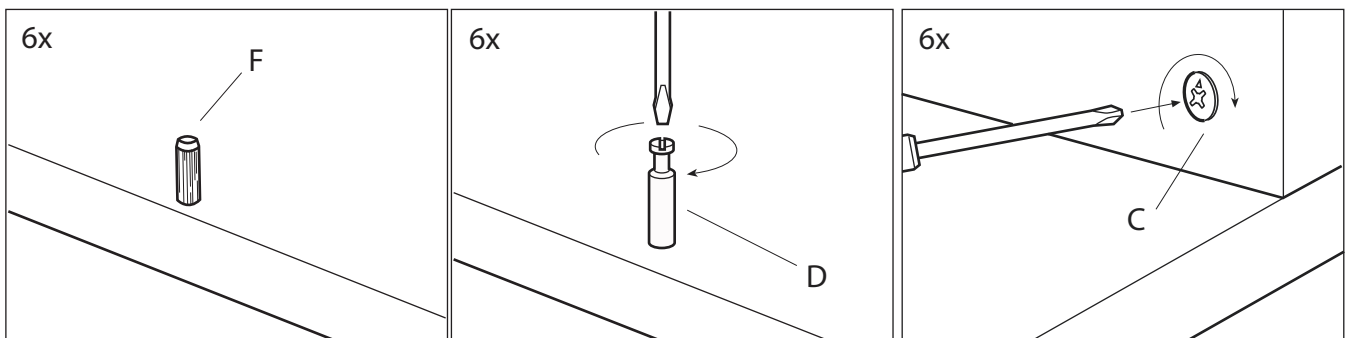
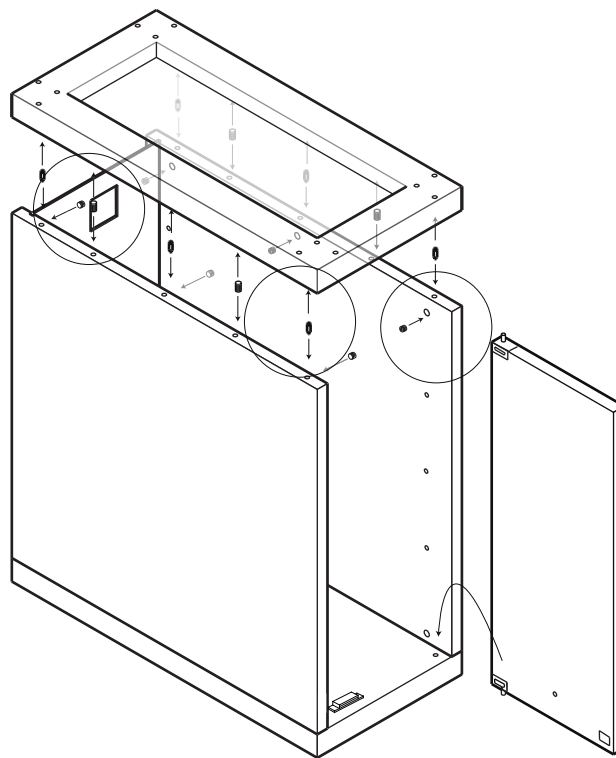
4. Insert door washer (H) into pre-drilled holes in the bottom-side of the top panel and top side of bottom panel as shown.



# west elm : metal leg storage desk

## assembly instructions

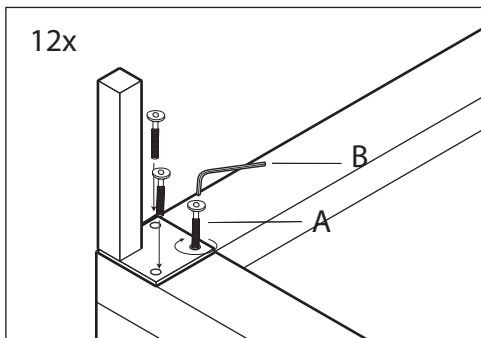
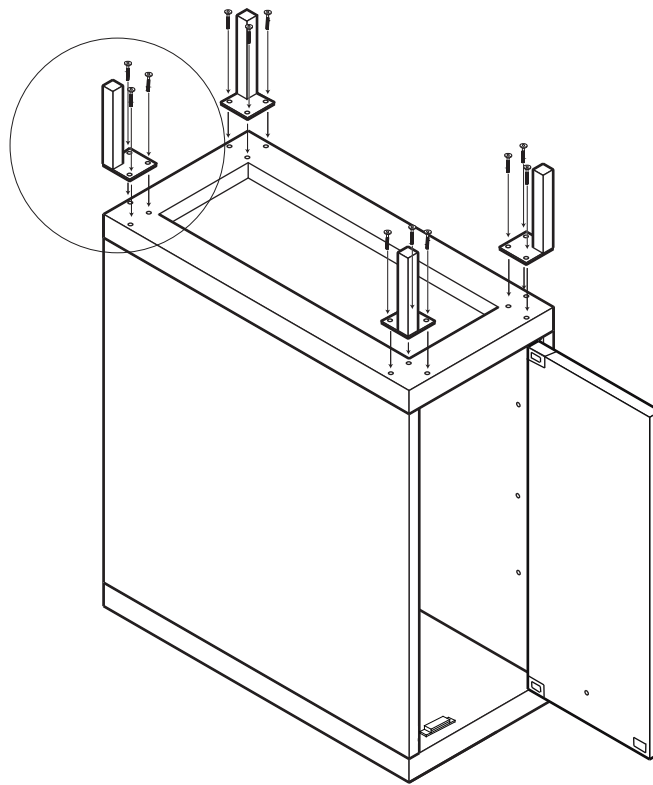
5. Insert wooden dowels (F) into pre-drilled holes in top side of the bottom panel as shown.
6. Insert cams (D) into pre-drilled holes in top side of the bottom panel as shown. Tighten with phillips-head screw driver.
7. Set door into place as shown, then set bottom panel into place by aligning dowels and cams in bottom panel with pre-drilled holes in side panels and inserting as shown. Insert cam locks (C) into pre-drilled holes in the side panels as shown. Tighten with phillips-head screw driver.



# west elm : metal leg storage desk

## assembly instructions

8. Align legs with pre-drilled holes in cabinet bottom as shown. Insert bolt (A) through holes in leg mounting plates, into pre-drilled holes in cabinet bottom, and tighten using allen key (B).

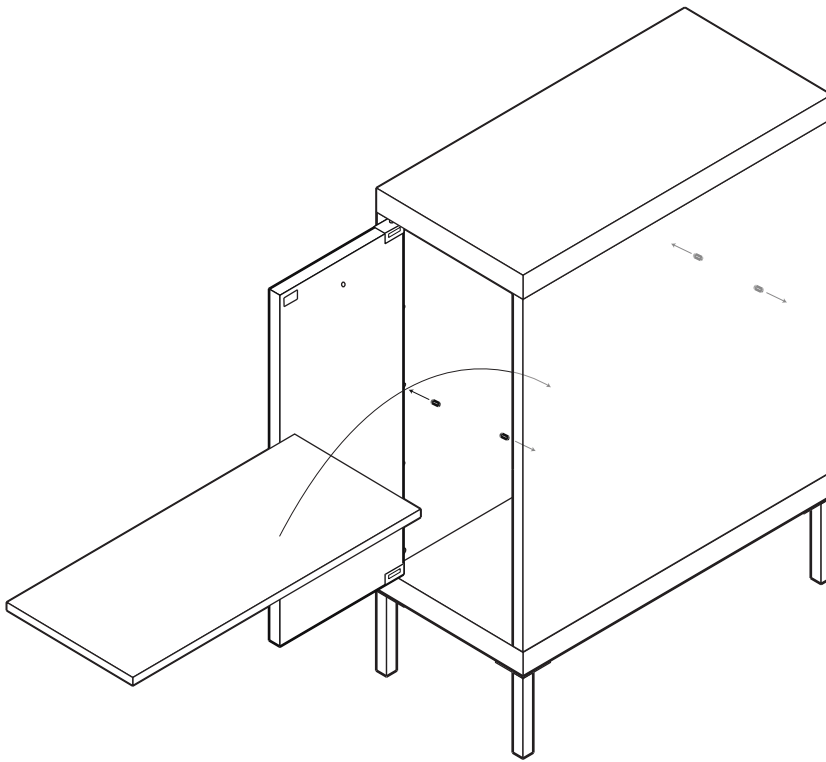


# west elm : metal leg storage desk

## assembly instructions

9. Insert shelf pins at desired heights into predrilled holes along the sides of the vertical panels. Take care to align the pins across the span as these are what will support the shelves.

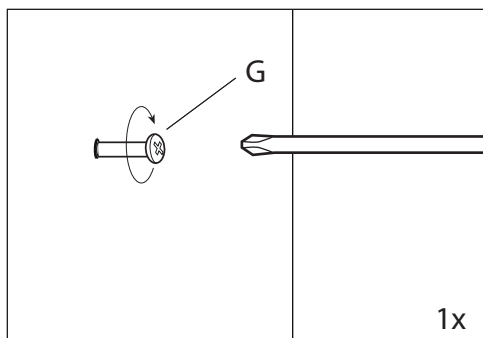
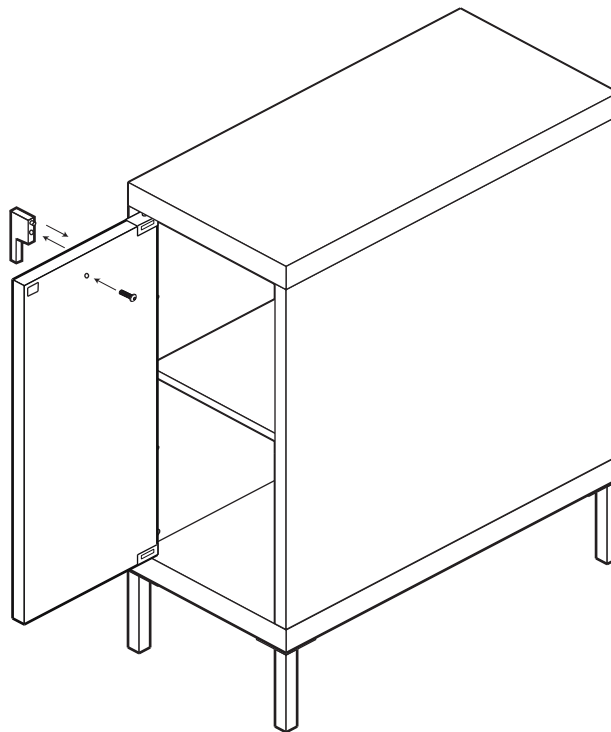
10. Place the shelves on top of the shelf pins. There are short channels in the bottom of the shelves to accept the pins.



# west elm : metal leg storage desk

## assembly instructions

11. Align back-side of handles with pre-drilled holes in door as shown. Insert screw (G) through pre-drilled hole in back-side of drawer and into handle. Tighten with philips head screwdriver.

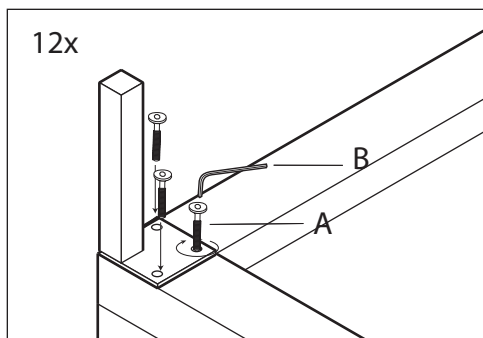
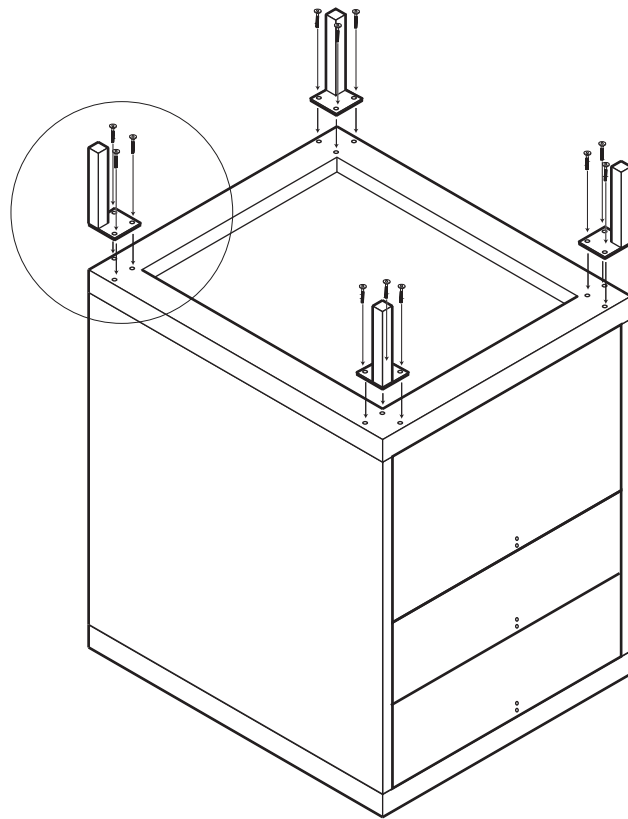




# west elm : metal leg storage desk

## assembly instructions

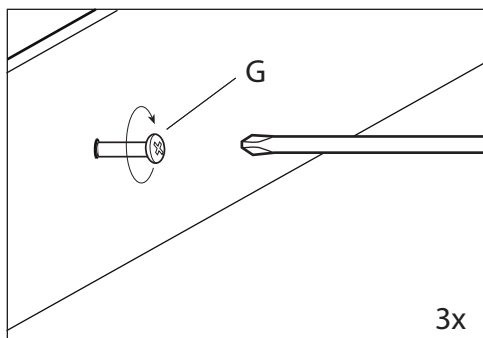
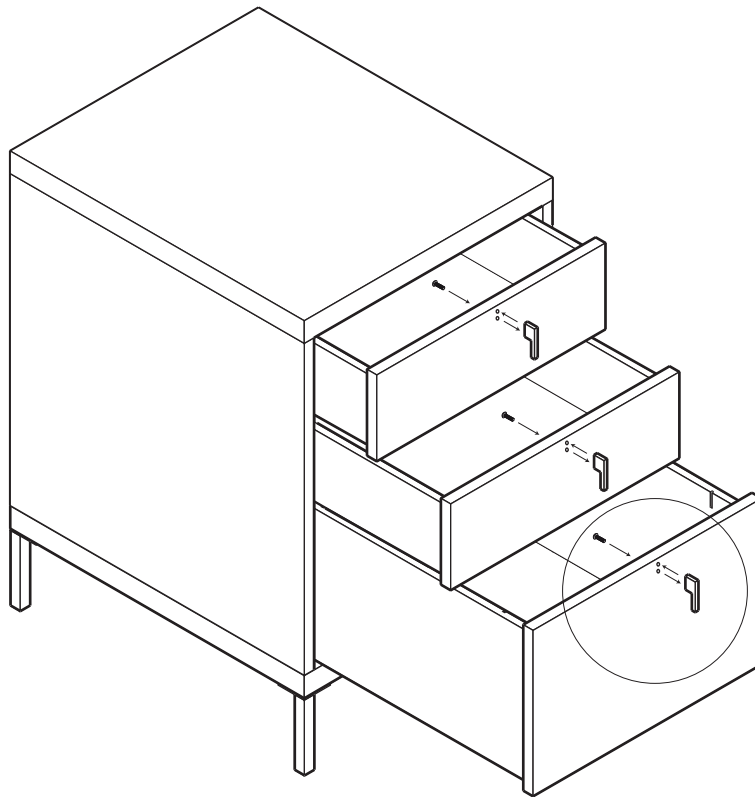
12. Align legs with pre-drilled holes in cabinet bottom as shown. Insert bolt (A) through holes in leg mounting plates, into pre-drilled holes in cabinet bottom, and tighten using allen key (B).



# west elm : metal leg storage desk

## assembly instructions

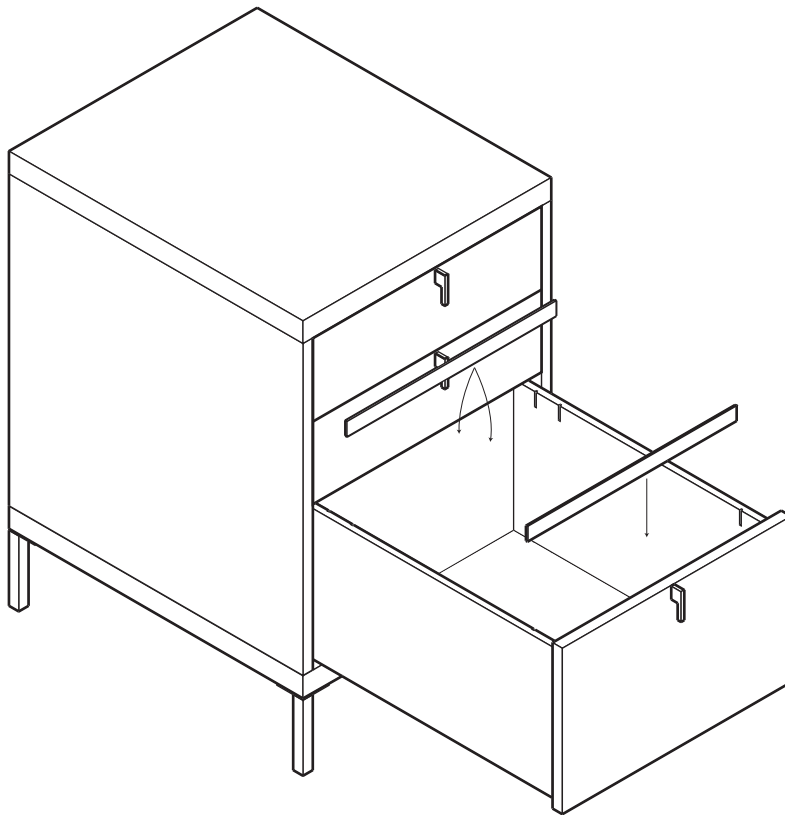
13. Align back-side of handles with pre-drilled holes in drawers as shown. Insert screw (G) through pre-drilled hole in back-side of drawer and into handle. Tighten with philips head screwdriver.



# west elm : metal leg storage desk

## assembly instructions

14. [OPTIONAL] Insert front file folder support in the pre-cut slot in drawer as shown. Depending on the width of the file folders you plan on using, insert second file folder support in one of the two pairs of rear slots as shown.



# west elm : metal leg storage desk

## assembly instructions

15. Match the appropriately sized space under the table top with the cabinets as shown. Set the table top in place.



### CARE INSTRUCTION

Hardware may loosen over time. Periodically check that all connections are tight.

Wipe with a soft, dry cloth. To protect finish, avoid the use of chemicals and household cleaners.