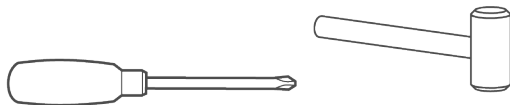


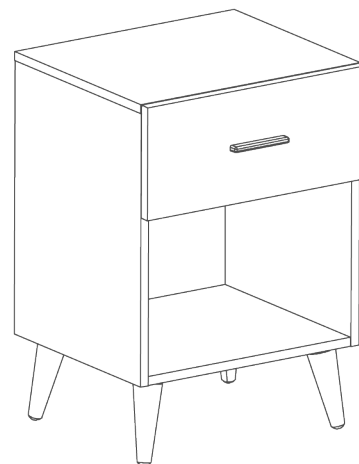
! Tools required:







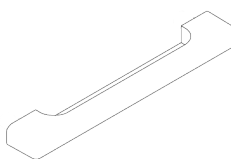
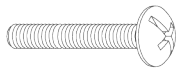


! Do not throw away packaging materials until assembly is complete.

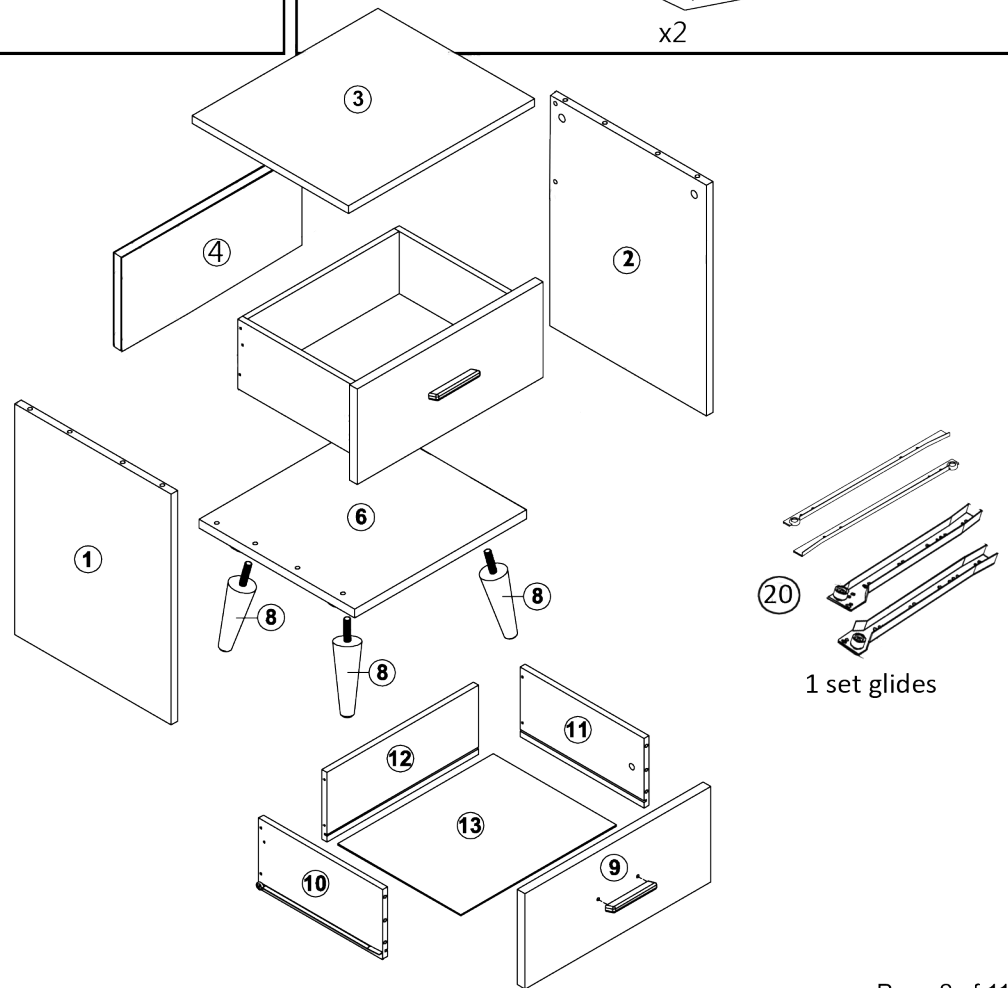
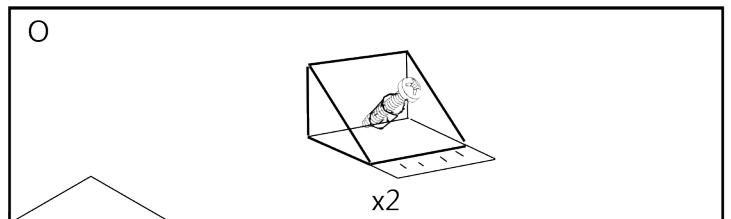
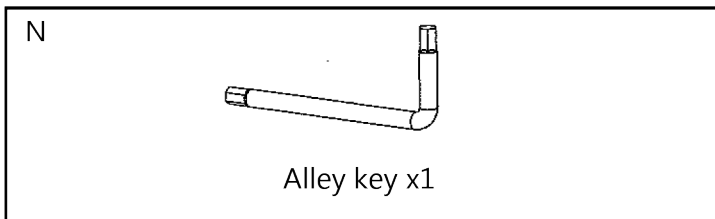
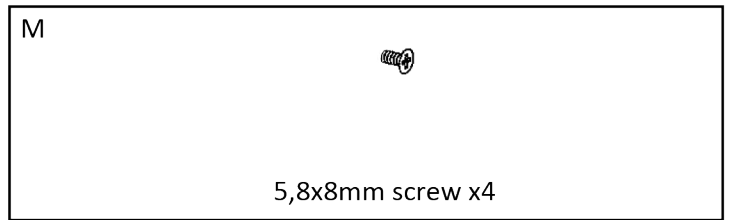
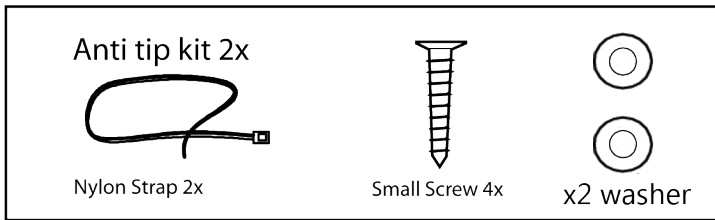
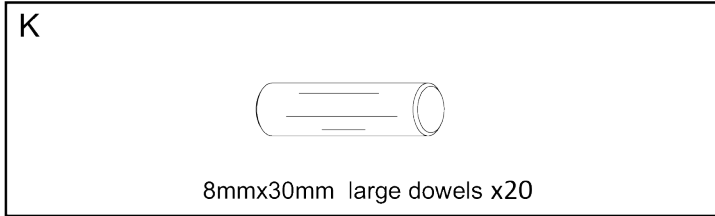
! Assemble this item on a soft surface, such as cardboard or carpet, to protect finish.

! Proper assembly of this item requires 2 people.



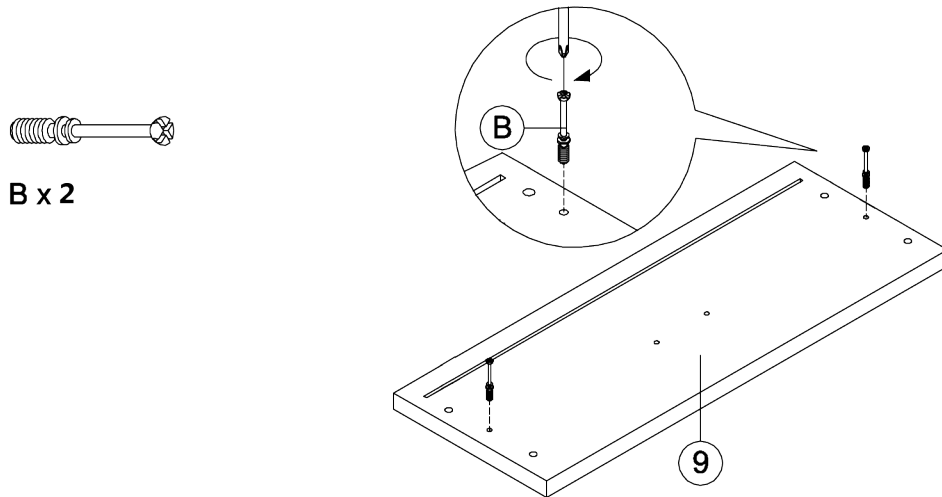
## Parts

|   |  |
|---|--|
| <p>A</p>  <p>small cam locks x2</p>               | <p>B</p>  <p>cam bolts x6</p>           |
| <p>C</p>  <p>7x70mm long connecting screw x4</p> | <p>D</p>  <p>3,5x35mm screw x2</p>    |
| <p>E</p>  <p>handle x1</p>                       | <p>F</p>  <p>4x22mm bolt x2</p>       |
| <p>G</p>  <p>large cam locks x4</p>              | <p>H</p>  <p>3.5 x 15mm screw x26</p> |



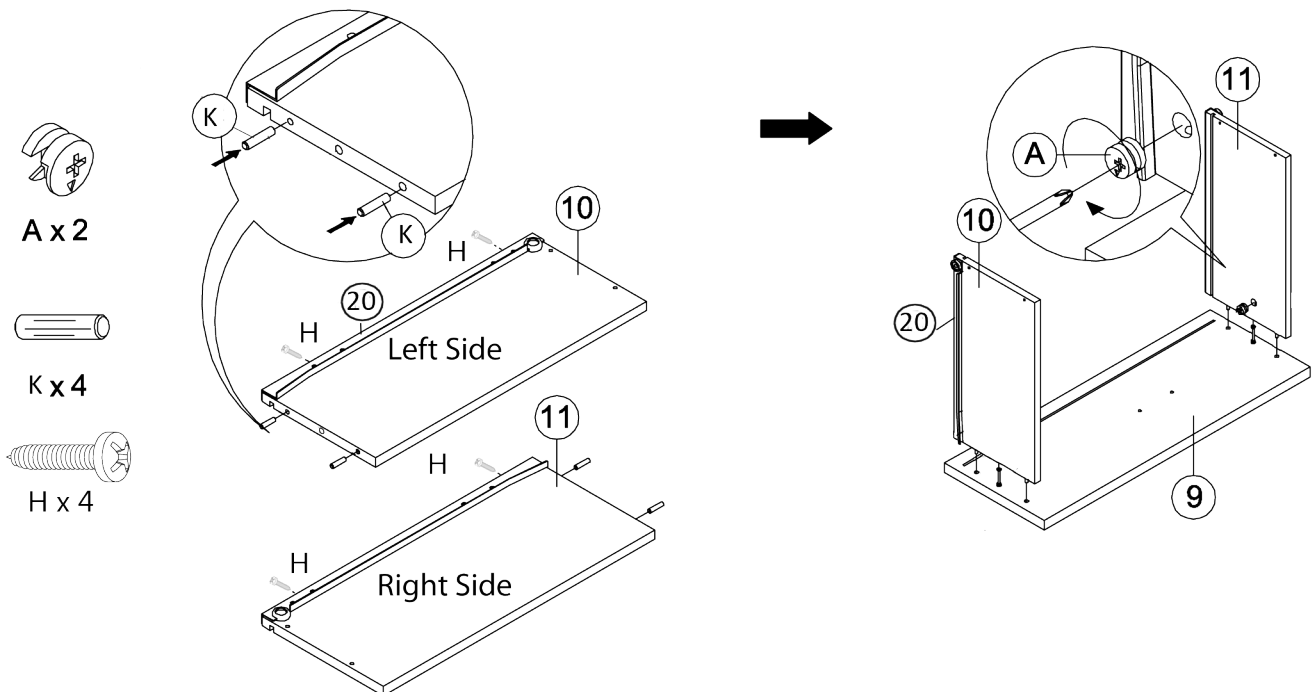
## Drawer Construction:

1. Screw in **2** cam bolts (B) into back of drawer front.

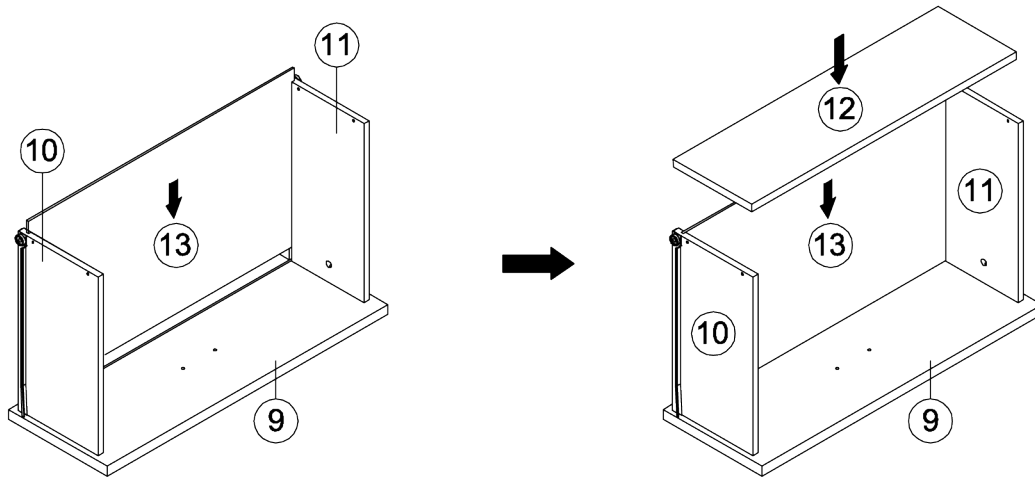


2. Fasten glides to left and right side with screw (H).

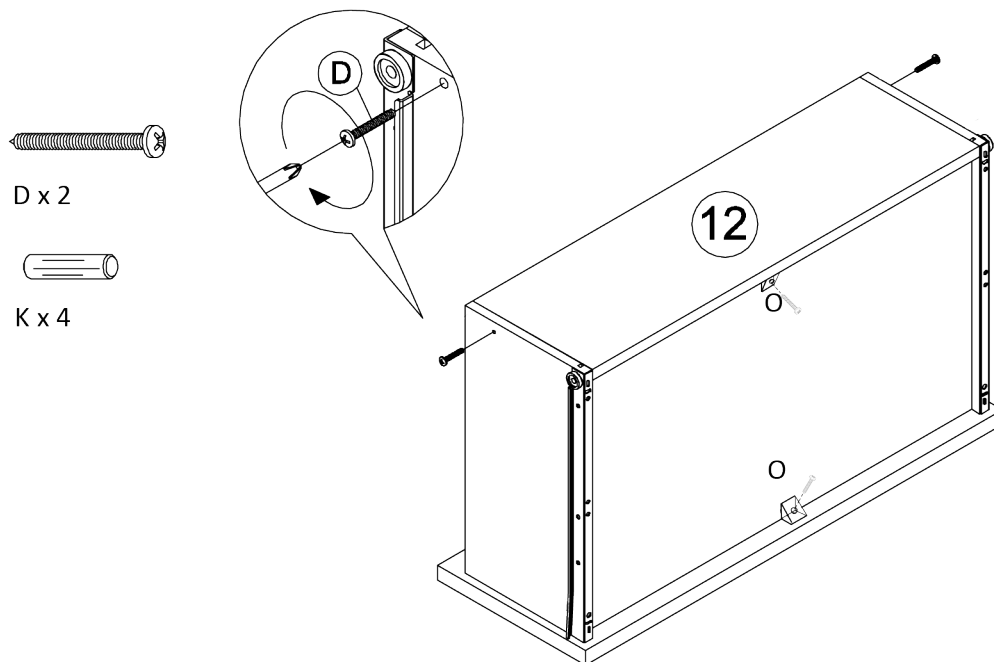
Insert **2** small cam locks (A) and **4** dowels (K) into **2** opposite drawer sides. Attach left and right drawer sides to front panel. Fasten **2** cams with screwdriver.



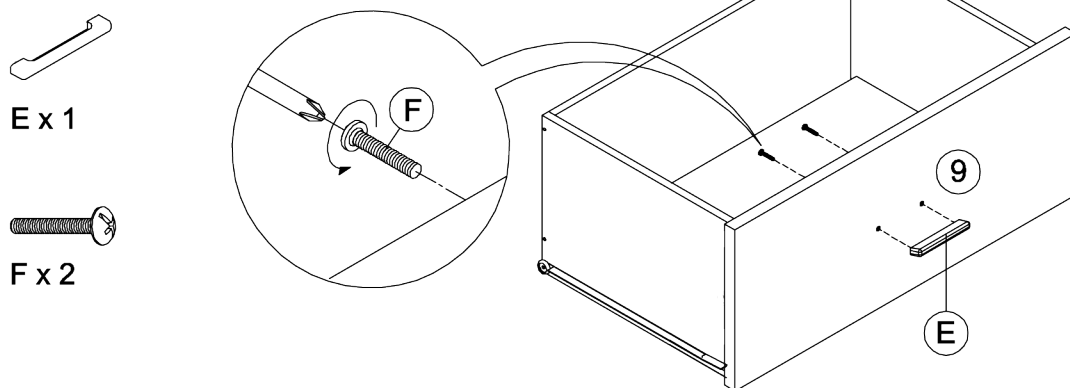
3. Slide drawer bottom into grooves on drawer sides and front. Align drawer back like shown.



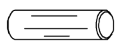
4. Insert large screw (D) and 4 dowels (K) through drawer sides into drawer back as shown.



5. Attach handle (E) to drawer front using screw (F). Tighten with screwdriver.



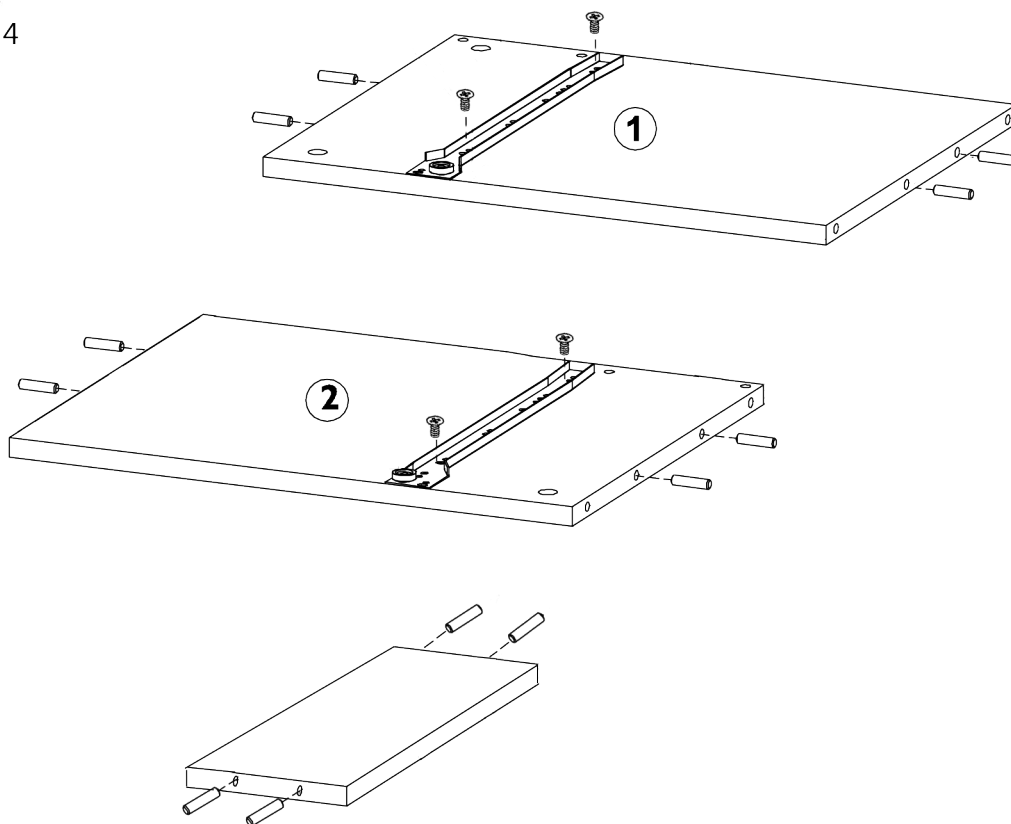
6. Insert wooden dowels (K) into the ends of the side panels as shown. Insert wooden dowels (K) into the ends of the rails as shown.



K x12



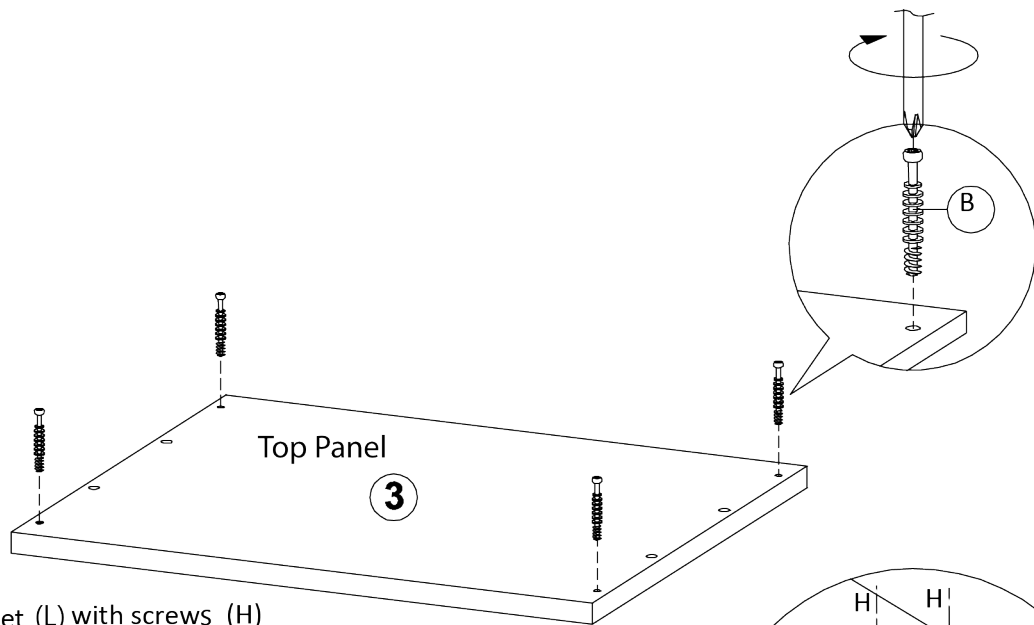
M x 4



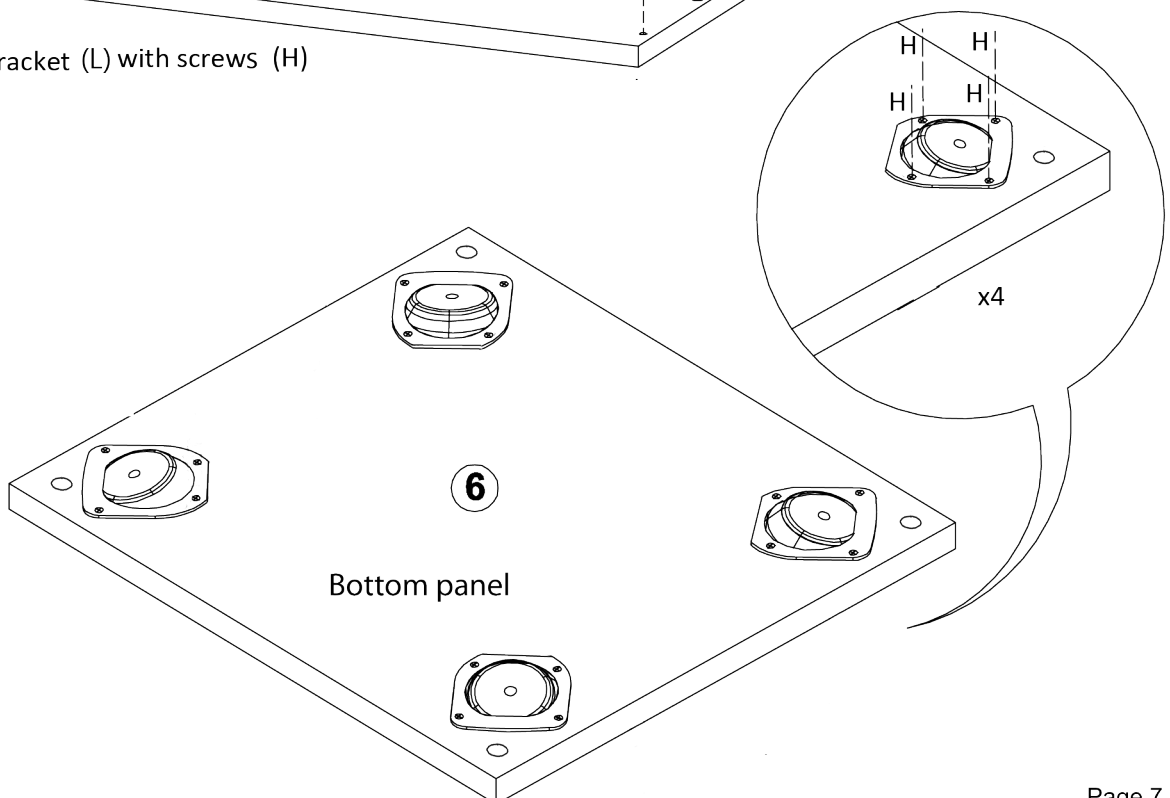
7. Insert cam screws (B) into top panel as shown.



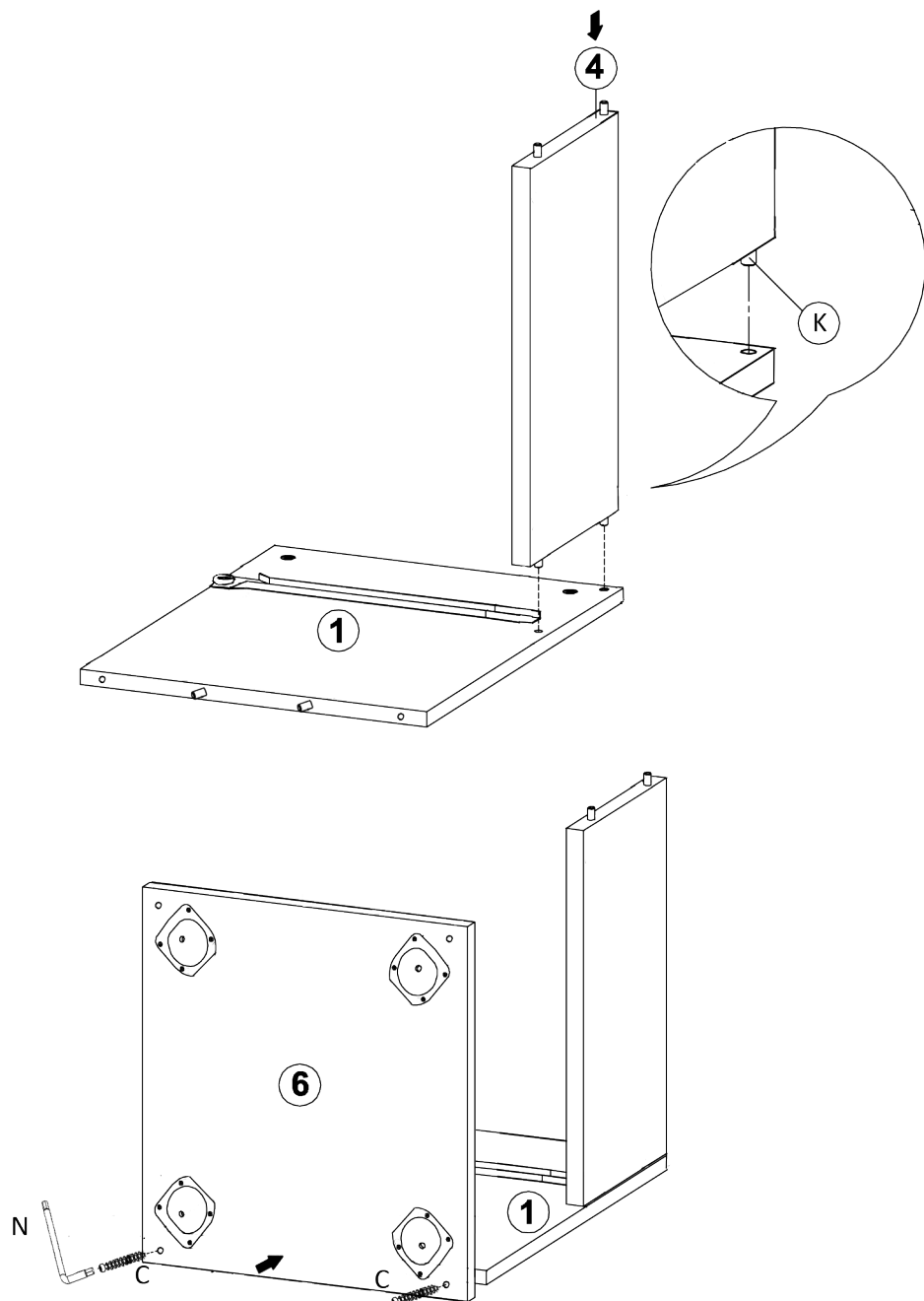
B x 4



8. Attach leg bracket (L) with screws (H)

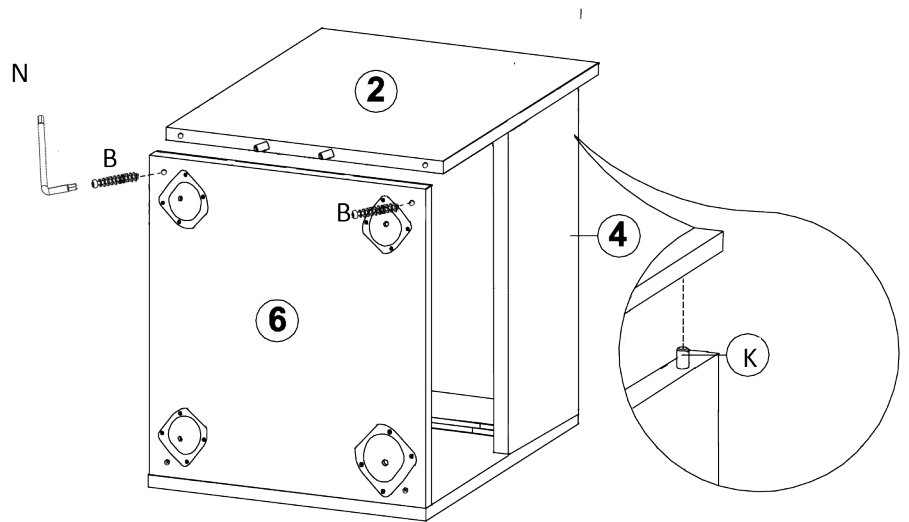


9. Align back rail to left side panel as shown.  
Attach bottom to left side panel using screw (C).

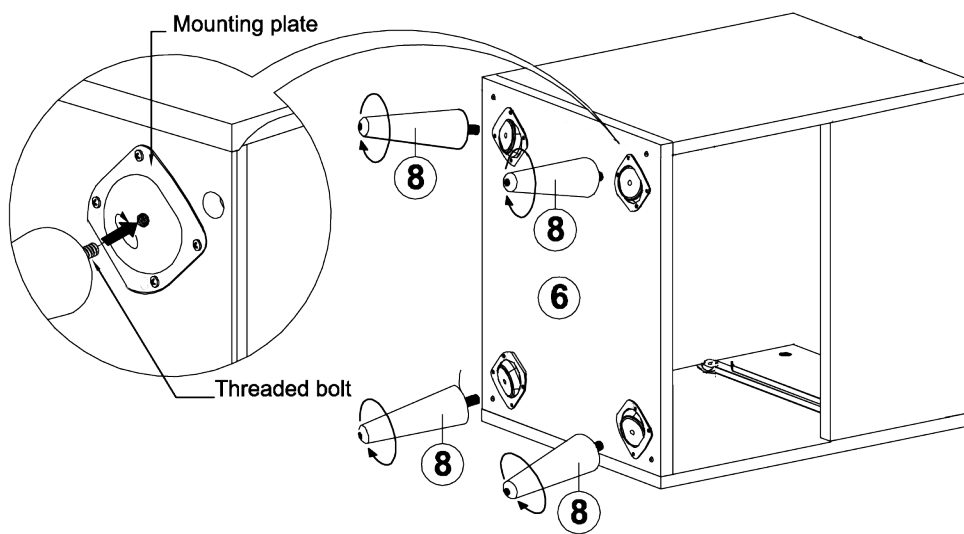




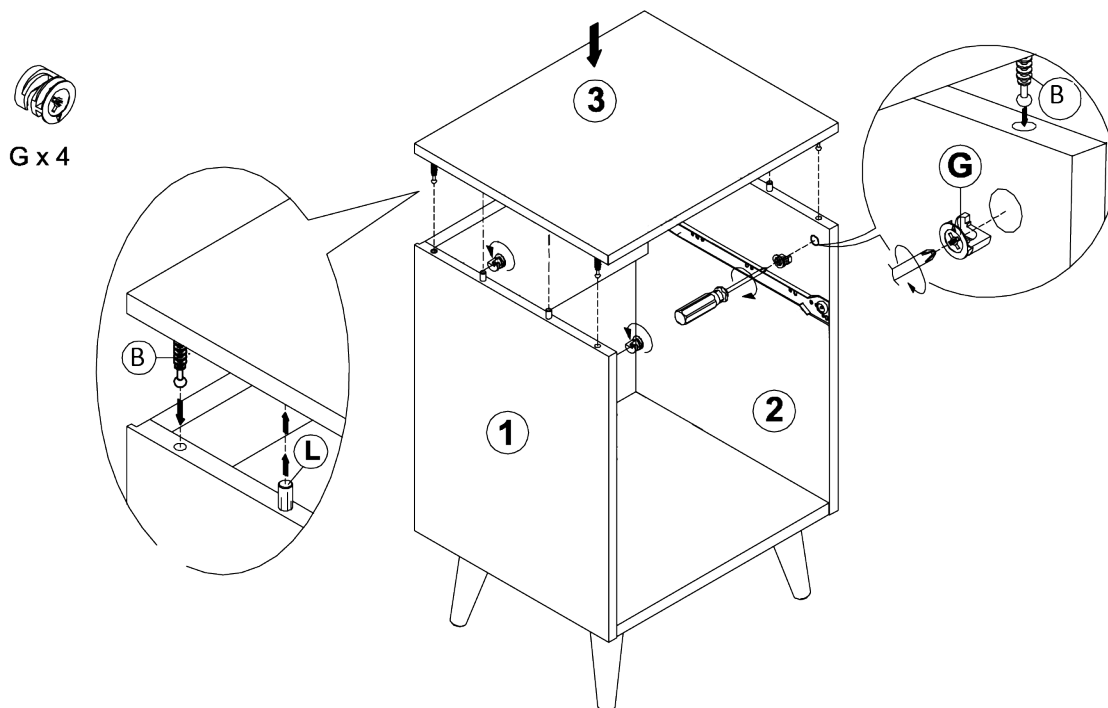
10 Align right side panel (2). Press together. Insert screw (C) into bottom.



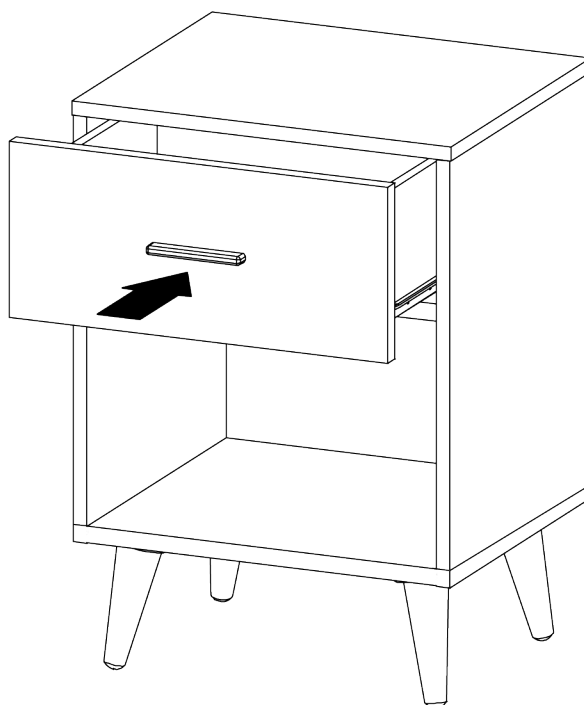
11 Align feet (8) with mounting plates on bottom. Turn clockwise to tighten.



12. Stand unit upright. Align top panel (3) as shown. Insert cam locks (G) into side panels. Press top panel down onto the case. Turn cam locks clockwise to tighten.



13. Align with drawer guides on side panels.



#### CARE INSTRUCTIONS

Hardware may loosen overtime. Periodically check that all connections are tight.

Wipe with a soft, dry cloth. To protect finish, avoid the use of chemicals and household cleaners.

**NOTICE: To prevent injury and property damage from unexpected tipping of furniture, we highly recommend installation of the ANTI-TIP KIT included with this product.**