

west elm

capiz circles small pendant lamp

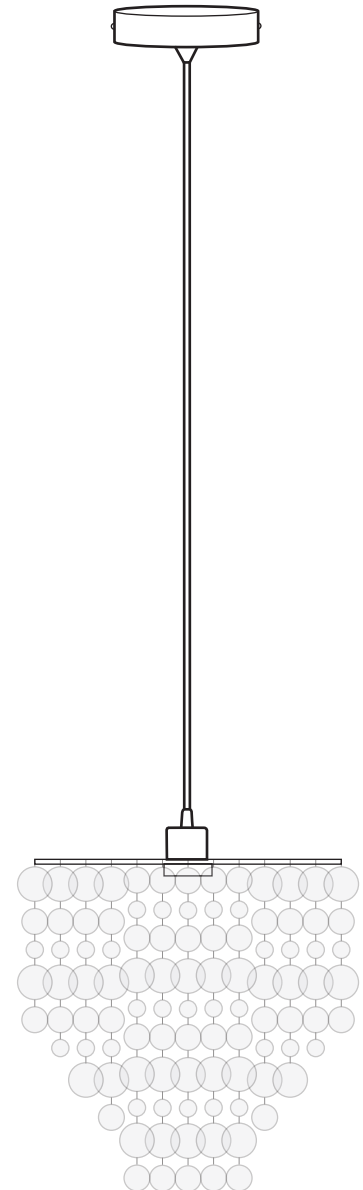
mounting instructions

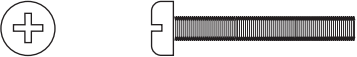


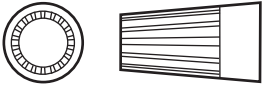
! Tools required: 

! BEFORE INSTALLATION:

Please note that these instructions are provided for your safety. It is very important that they are read carefully and completely before beginning installation of the lamp. We strongly suggest that a qualified electrician install all direct-wired fixtures.

! This fixture is rated for one MAXIMUM 60 WATT type A bulb (not included). To prevent the risk of fire, do not exceed recommended wattage.



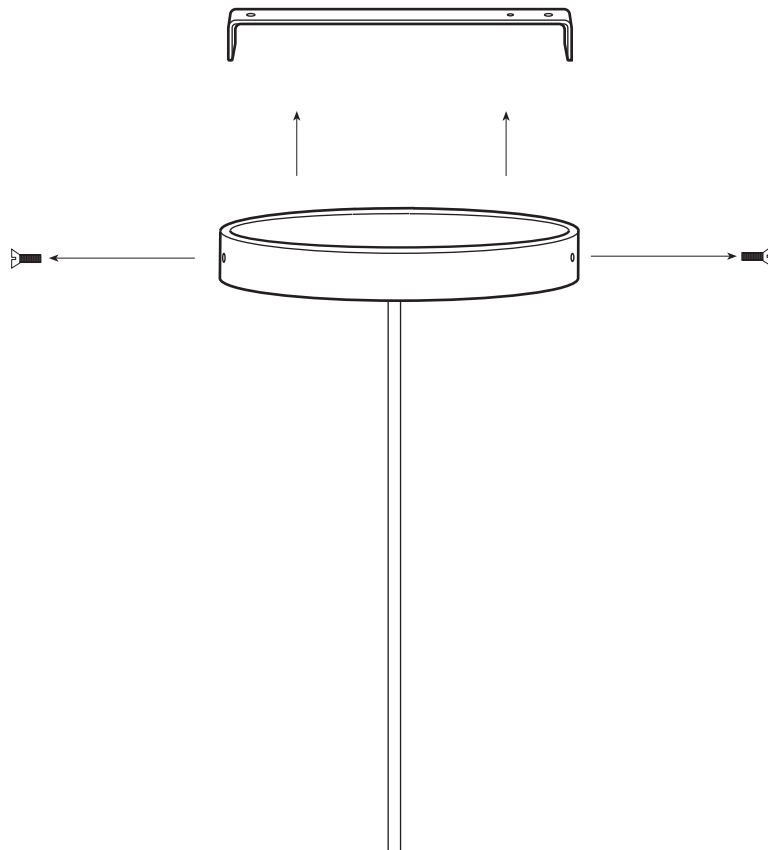
A  mounting screw 2x
B  grounding screw 1x
C  canopy screw 2x
D  wire cap 3x

west elm

capiz circles small pendant lamp

mounting instructions

1. SHUT OFF THE MAIN ELECTRICAL SUPPLY AT THE FUSE BOX / CIRCUIT BREAKER.
2. Unscrew the the screws (C) from the side of the canopy to release the mounting plate and separate the two pieces as shown.

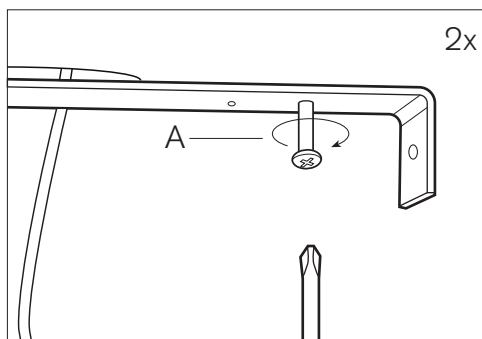
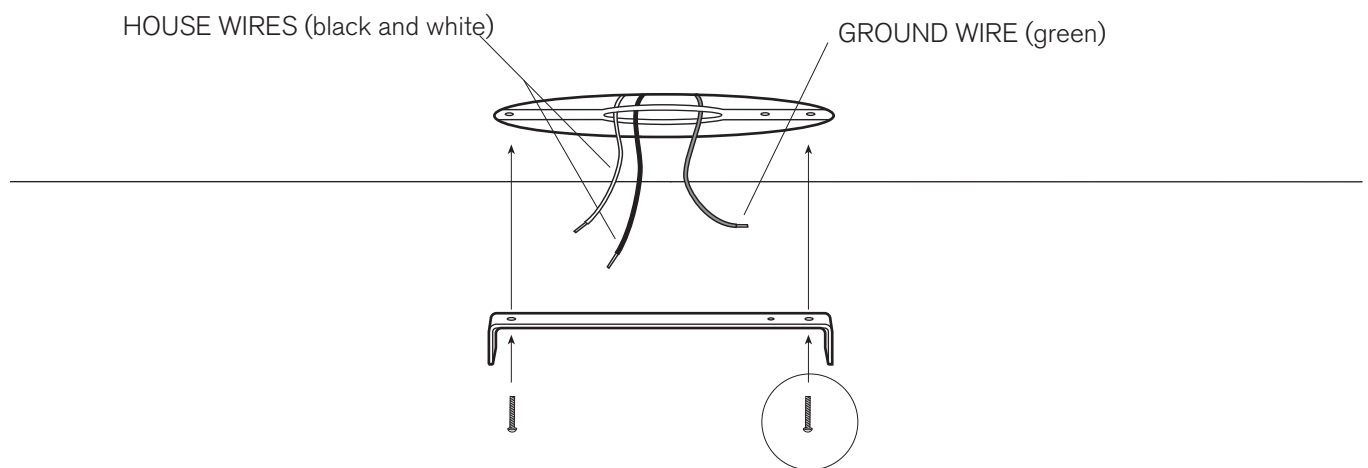


west elm

capiz circles small pendant lamp

mounting instructions

3. Gently pull down the wiring from the ceiling outlet box and allow the wires to hang. The wires will hang on either side of the mounting plate.
4. Attach the mounting plate to the ceiling outlet box using the bolts (A). Tighten using a Philips head screw driver.

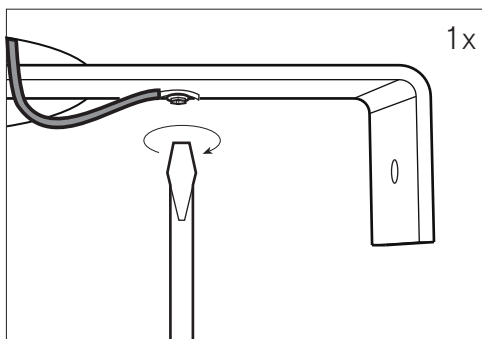
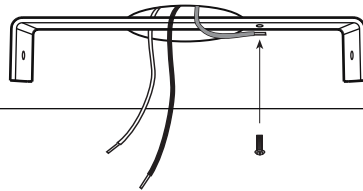


west elm

capiz circles small pendant lamp

mounting instructions

5. Attach the ground wire (green) to the mounting plate with grounding screw (B) on the mounting plate.

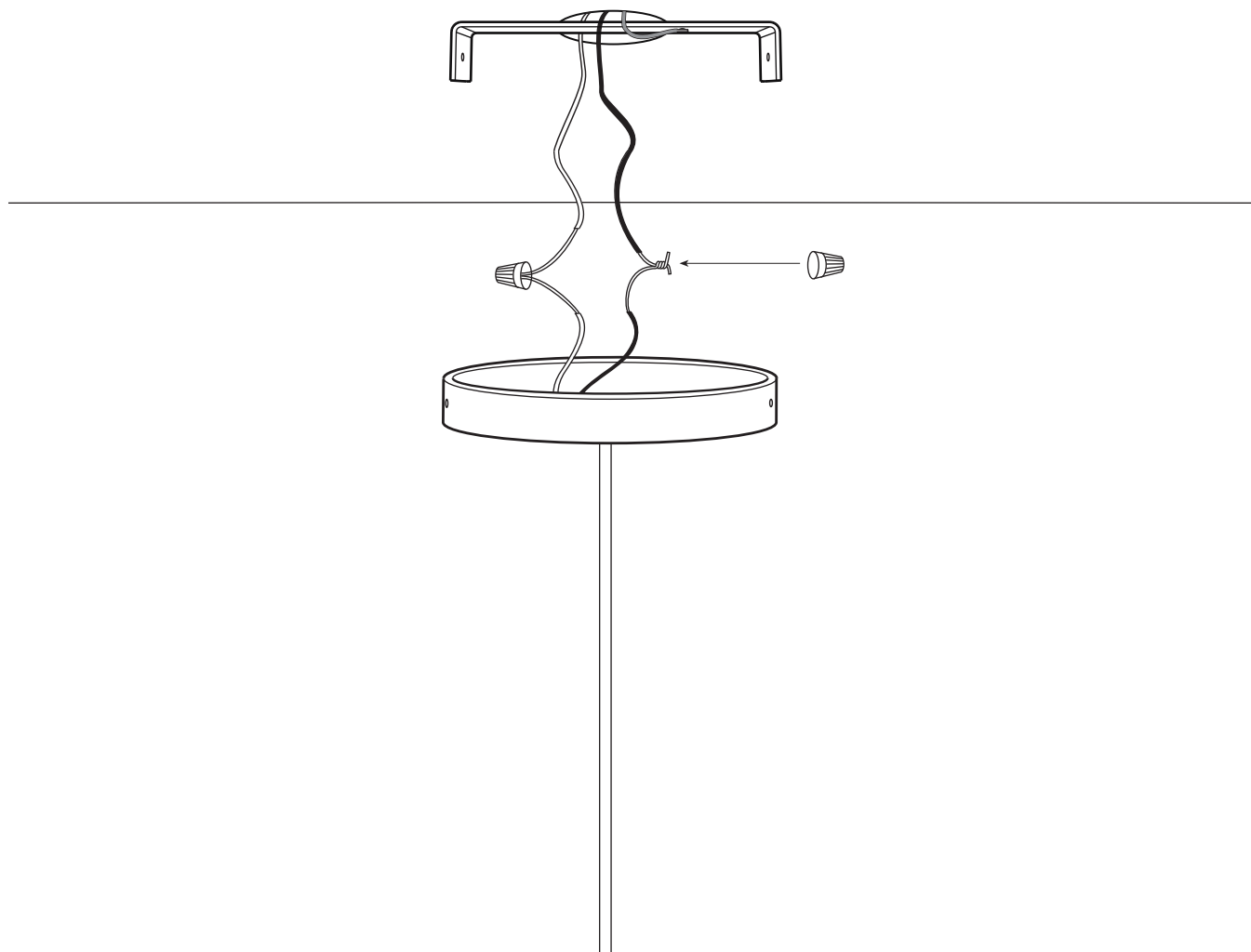


west elm

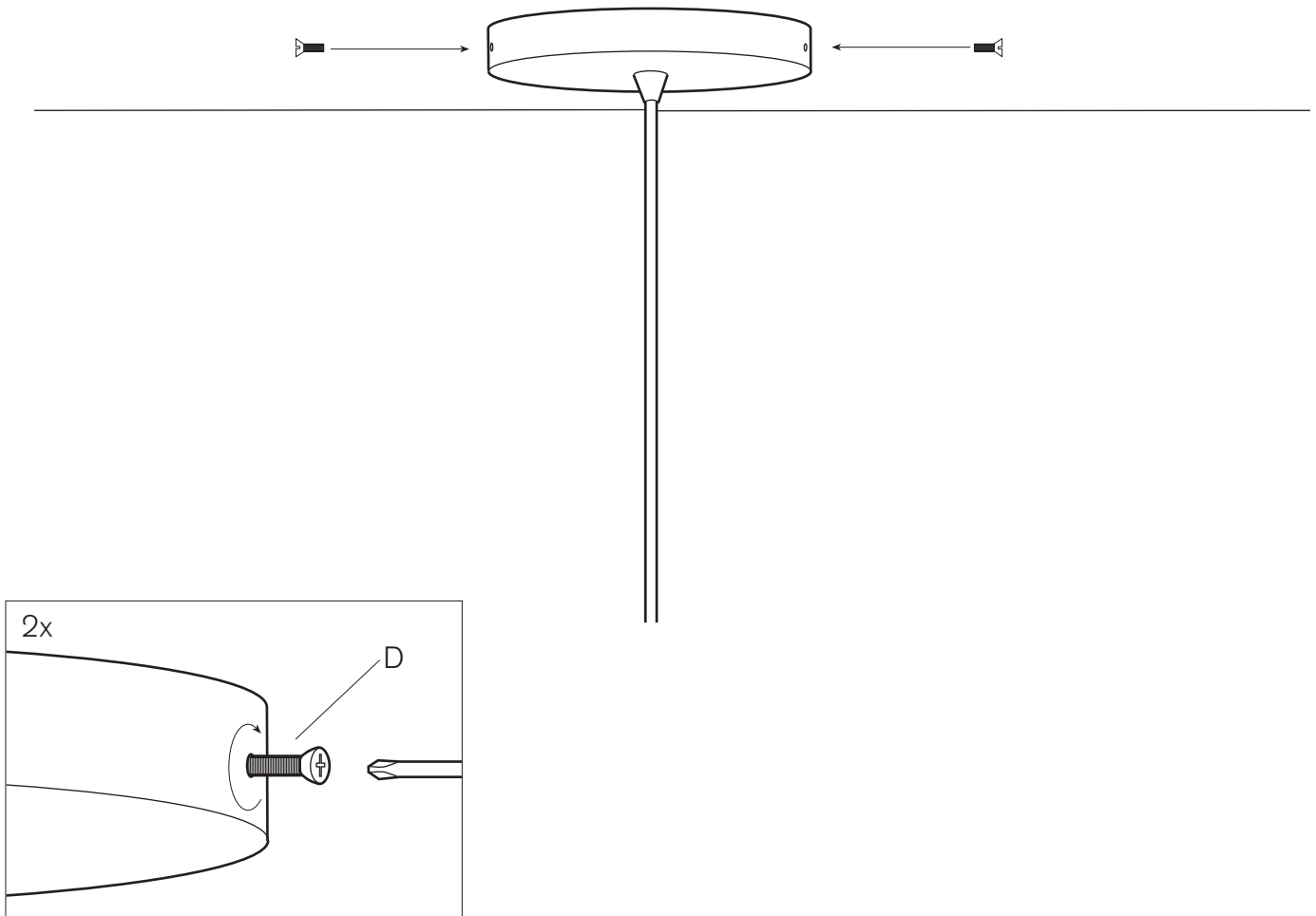
capiz circles small pendant lamp

mounting instructions

6. Connect the house wires with the transformer input wires (black to black, white to white). Use wire caps (D) to cover exposed wires.



7. Secure the canopy to the mounting plate with screws (C).



west elm

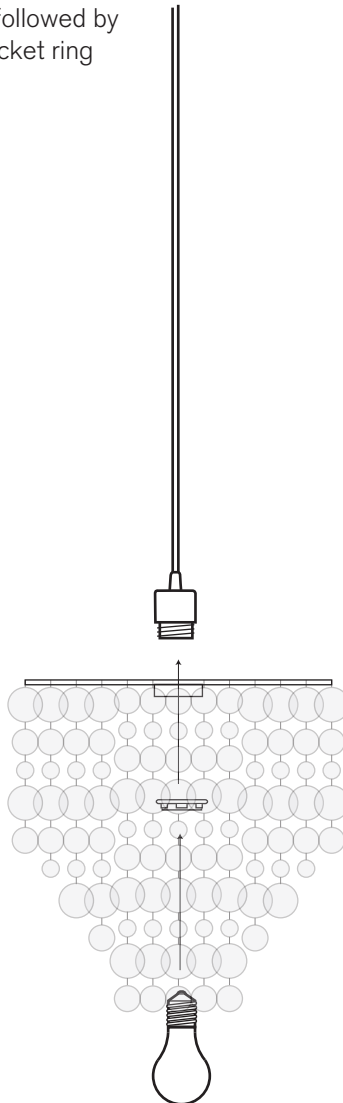
capiz circles small pendant lamp

mounting instructions

9. To secure shade slide it over the socket, followed by the shade plate, and secure by tightening socket ring as shown.

9. Insert lightbulb.

10. Restore power to the outlet box.



IMPORTANT SAFETY INSTRUCTIONS ! Turn off and let cool before replacing bulb
! SAVE THESE INSTRUCTIONS.

CARE INSTRUCTIONS. To clean, wipe with a soft dry cloth only.
Do not use abrasive cleaners.
Do not immerse fixture in water. Doing so will damage the wiring.