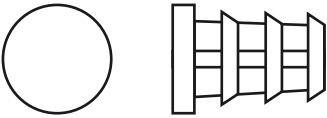
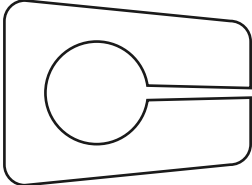
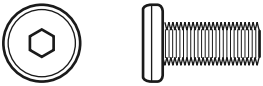
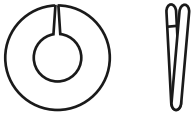



! Do not throw away packaging materials until assembly is complete.

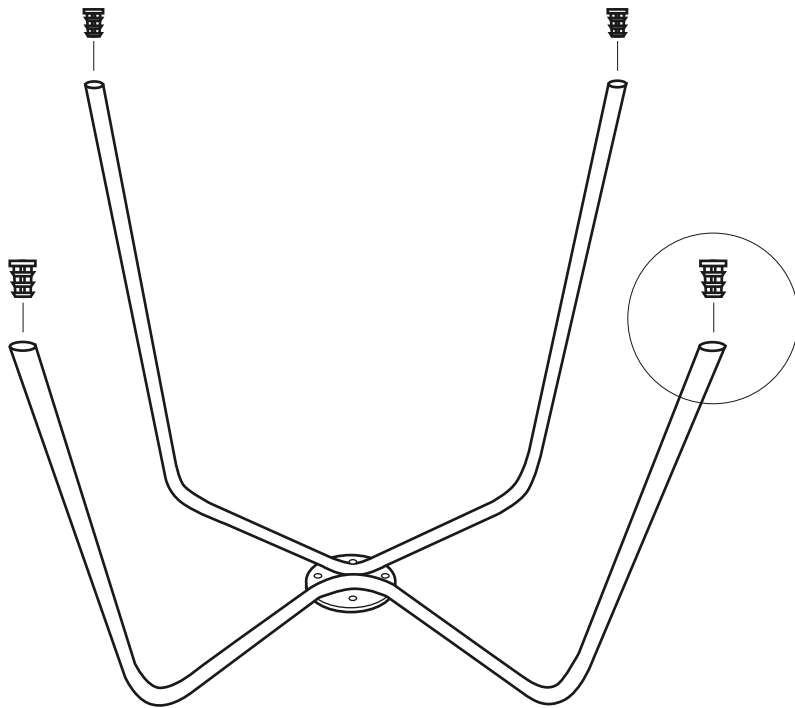
! Assemble this item on a soft surface, such as cardboard or carpet, to protect the finish.

<p>A</p>  <p>plastic foot 4x</p>	<p>B</p>  <p>plastic spacer 4x</p>	
<p>C</p>  <p>bolt: 1/4" dia x 1/2" 4x</p>	<p>D</p>  <p>lock washer 4x</p>	<p>E</p>  <p>allen key 1x</p>

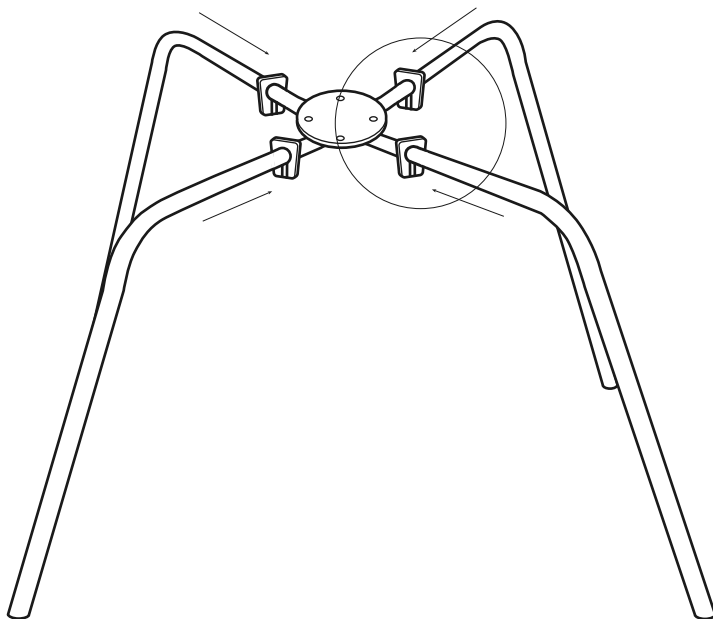
west elm

leather t chair

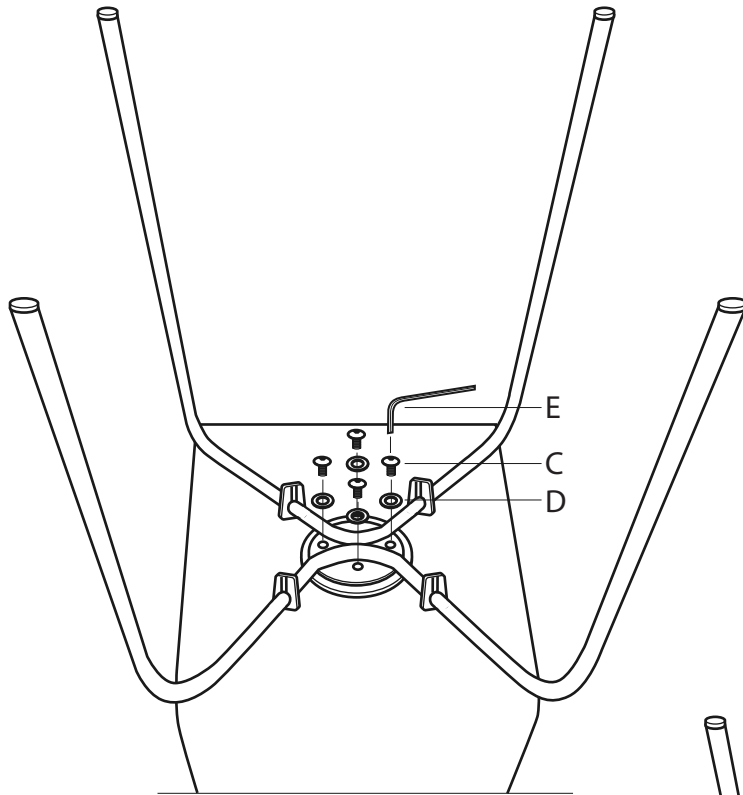
assembly instructions



1. Turn base upside down. Insert feet (A) and tap gently with a rubber mallet to fix in place.

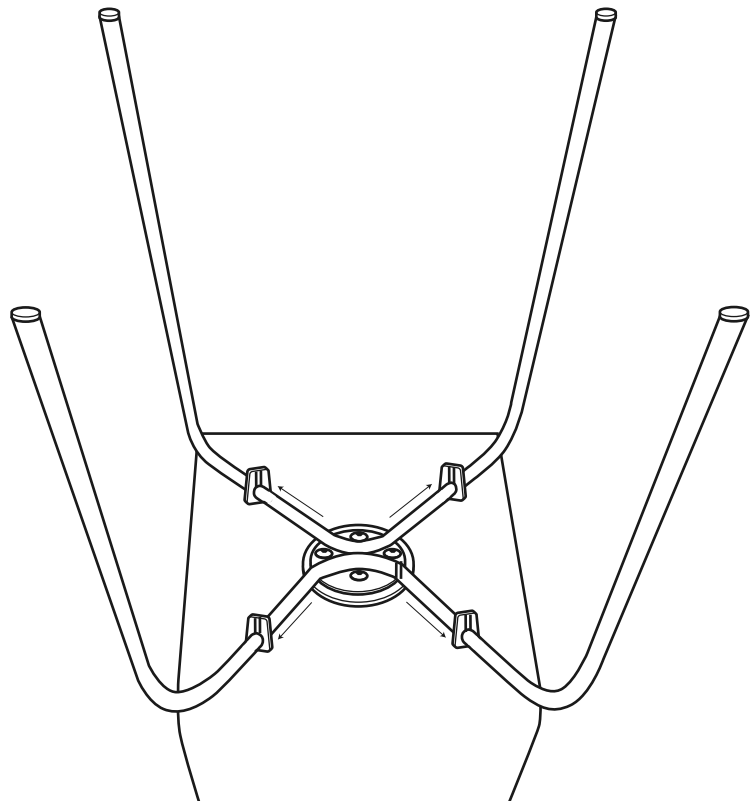


2. Slide spacers (B) on frame close to the metal plate.



3. Match front of base (marked with arrow sticker on the metal plate) with front of seat.
4. Attach lock washer (D) with bolt (C). Secure with allen key (E). Do not tighten fully.
5. Adjust seat so that it is aligned with the base. Do not over tighten or bolt heads could strip.

6. Move the spacers (B) towards the outside of the frame until they stop underneath the seat.

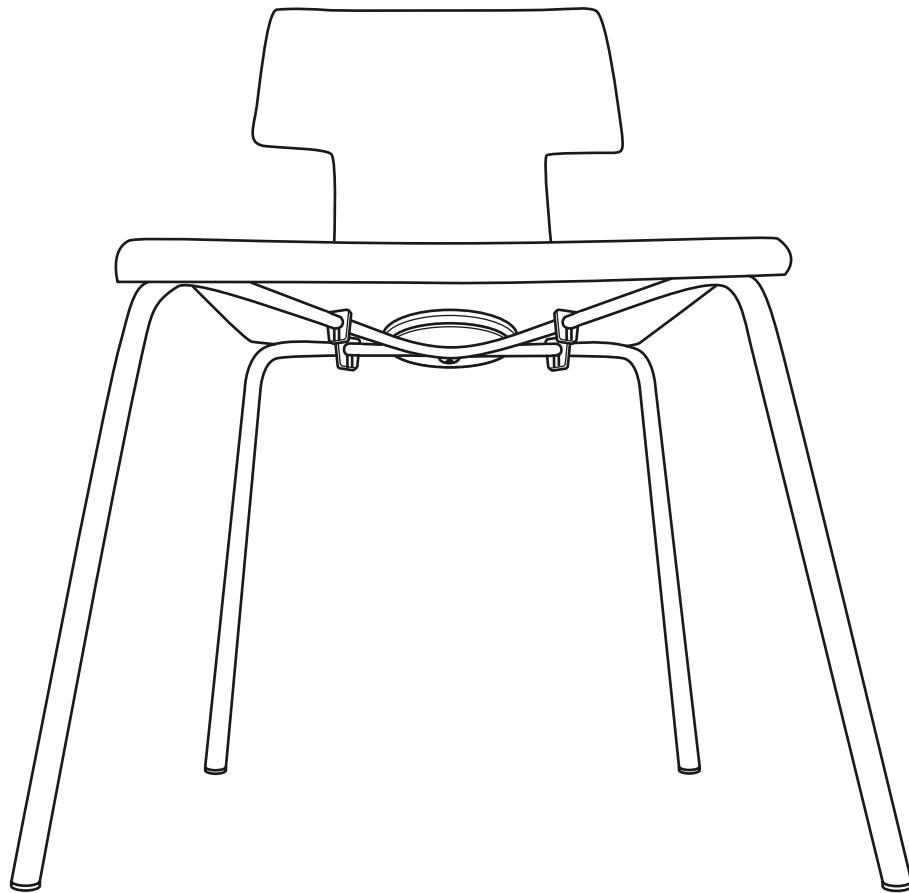


west elm

leather t chair

assembly instructions

7. Sit on the chair and re-tighten all bolts.



CARE INSTRUCTIONS:

Hardware may loosen over time. Periodically check that all connections are tight.

Wipe/clean with a damp cloth. To protect the finish, avoid the use of all chemicals and household cleaners.