

west elm : square base floor lamp

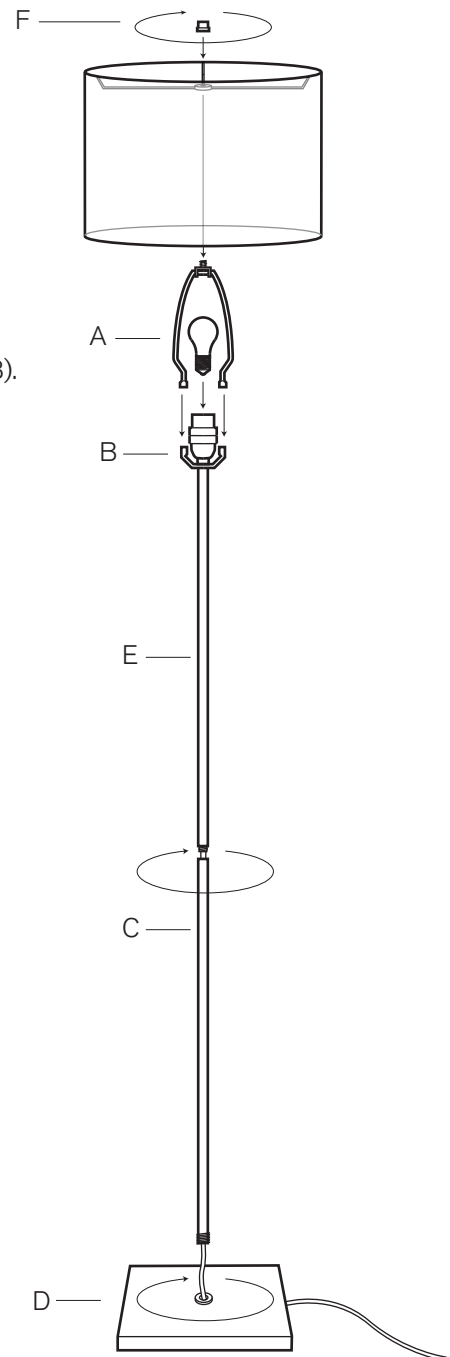
assembly instructions

! Use with a type A bulb. DO NOT USE WITH A BULB EXCEEDING 100 WATTS.

! Electric bulb should be centered inside the shade, making sure it does not touch the sides of the shade.

! Recommended for use with west elm lamp shades only.

1. Pull the wire from the upper tube (E) through the lower tube (C). Turn the lower tube (C) onto the upper tube (E) in a clockwise direction to tighten.
2. Pull the wire from the lower tube (C) through the base (D). Insert lower tube (C) into base (D). Turn the lamp base (D) in a clockwise direction to tighten.
3. Press the sides of the harp (A) together in order to slide into slots in saddle (B).
4. Place shade on harp and secure by tightening cap nut (F) onto threaded rod.
5. Screw in lightbulb.



CARE INSTRUCTIONS.

Hardware may loosen over time. Periodically check that all connections are tight.

Wipe base with a soft, dry cloth. To protect the finish, avoid the use of all chemicals and household cleaners.