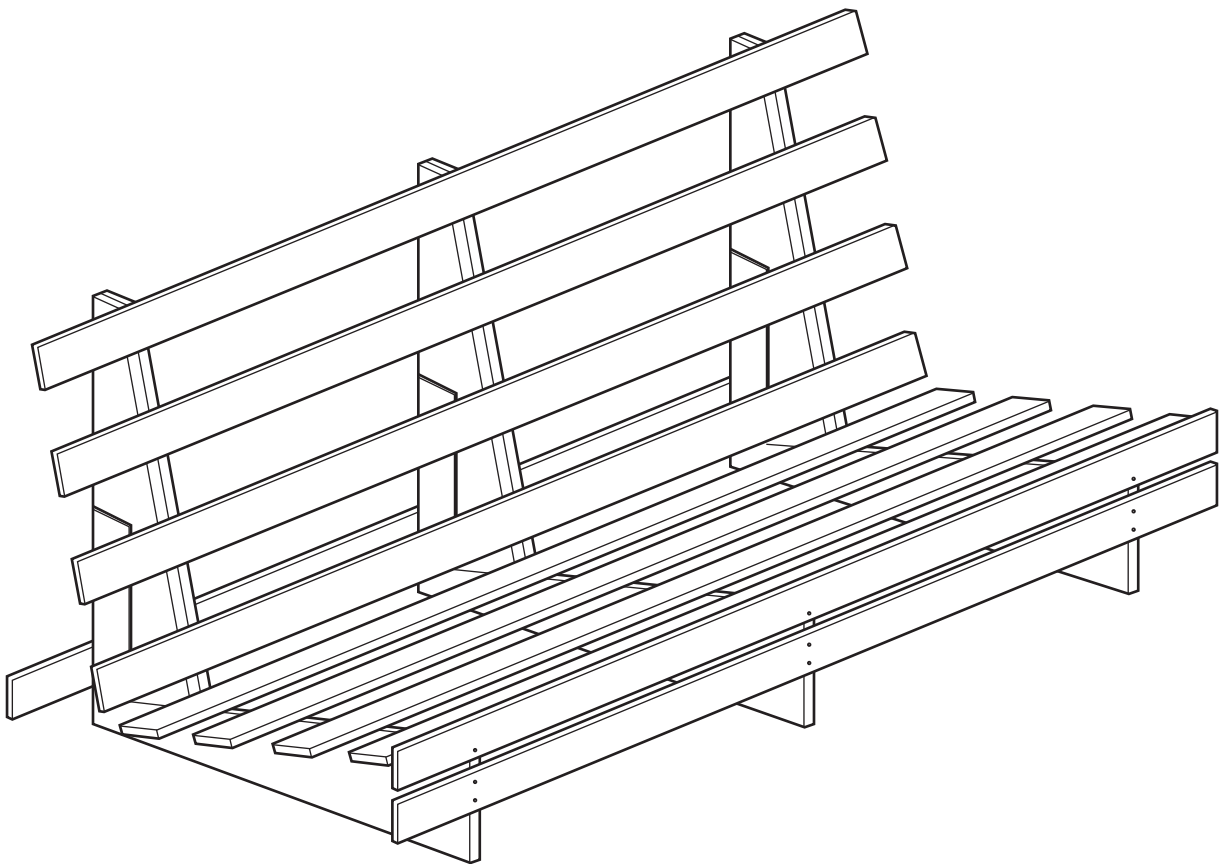


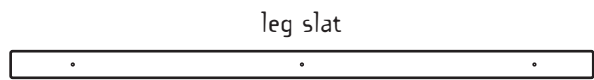
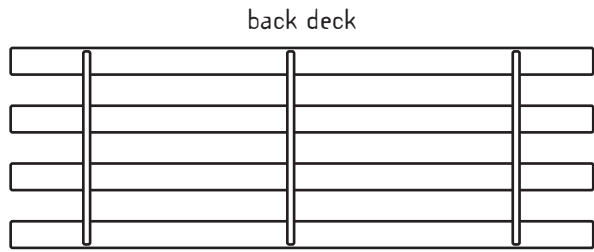
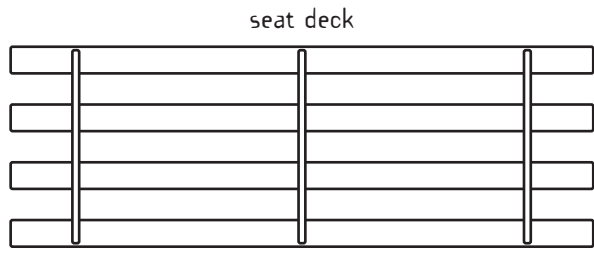
west elm: simple futon frame (full size)

assembly instructions



west elm: simple futon frame (full size)

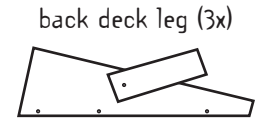
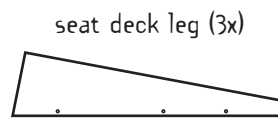
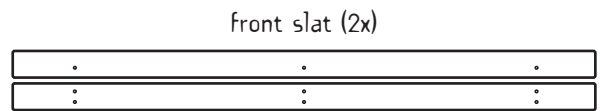
assembly instructions

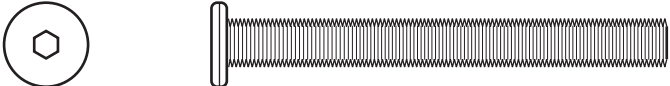
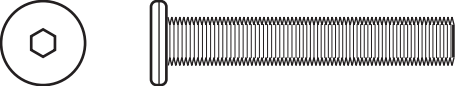


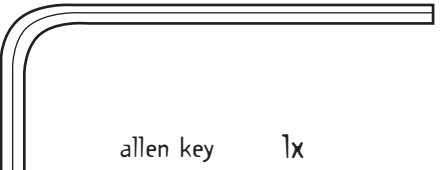
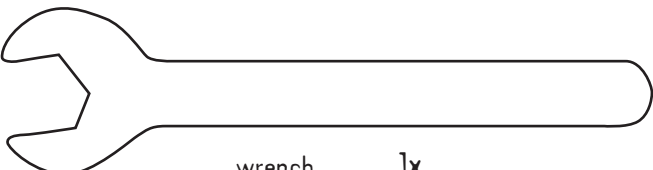


! Tools required: 

! Do not throw away packaging materials until assembly is complete.

! Assemble this item on a soft surface, such as cardboard or carpet, to protect the finish.

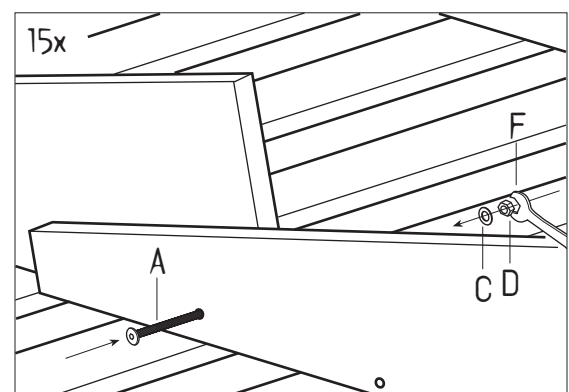
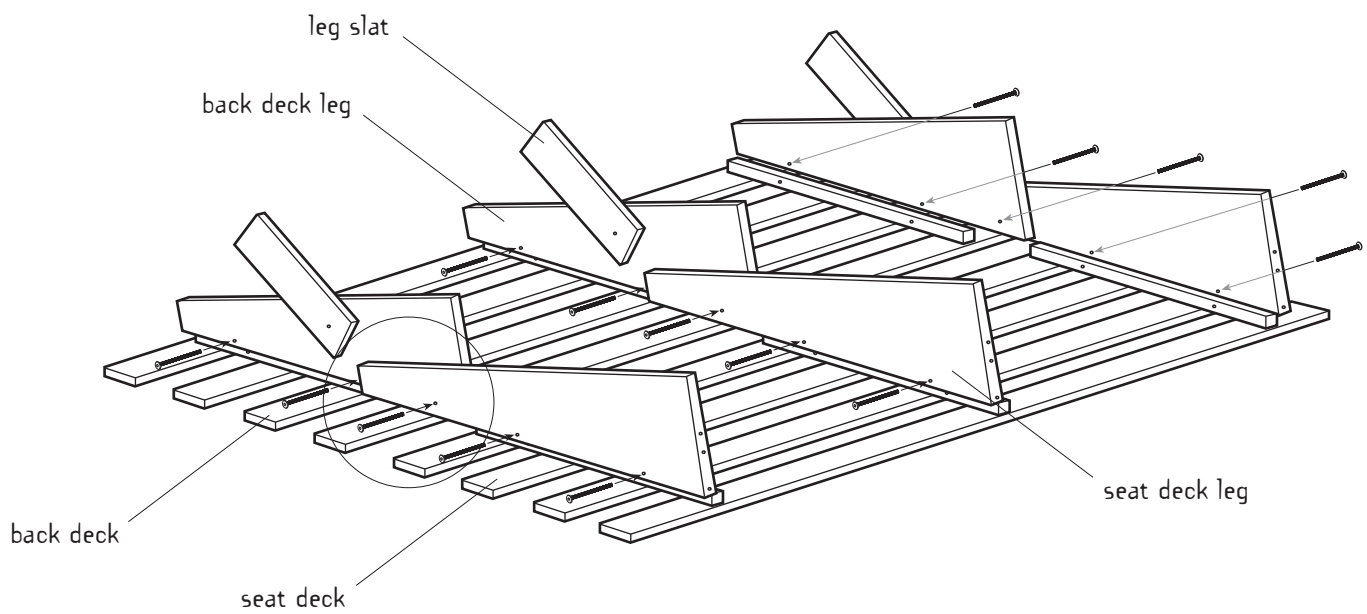


<p>A</p>  <p>bolt: 7/16" DIA x 2 3/8" 15x</p>	<p>B</p>  <p>bolt: 7/16" DIA x 1 1/2" 12x</p>	<p>C</p>  <p>metal washer 15x</p>
<p>D</p>  <p>nut 15x</p>	<p>E</p>  <p>allen key 1x</p>	
<p>F</p>  <p>wrench 1x</p>		

west elm: simple futon frame (full size)

assembly instructions

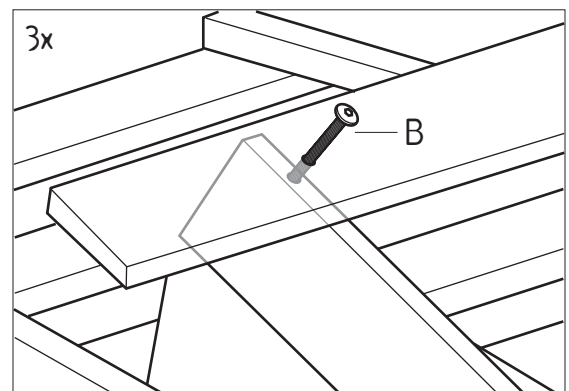
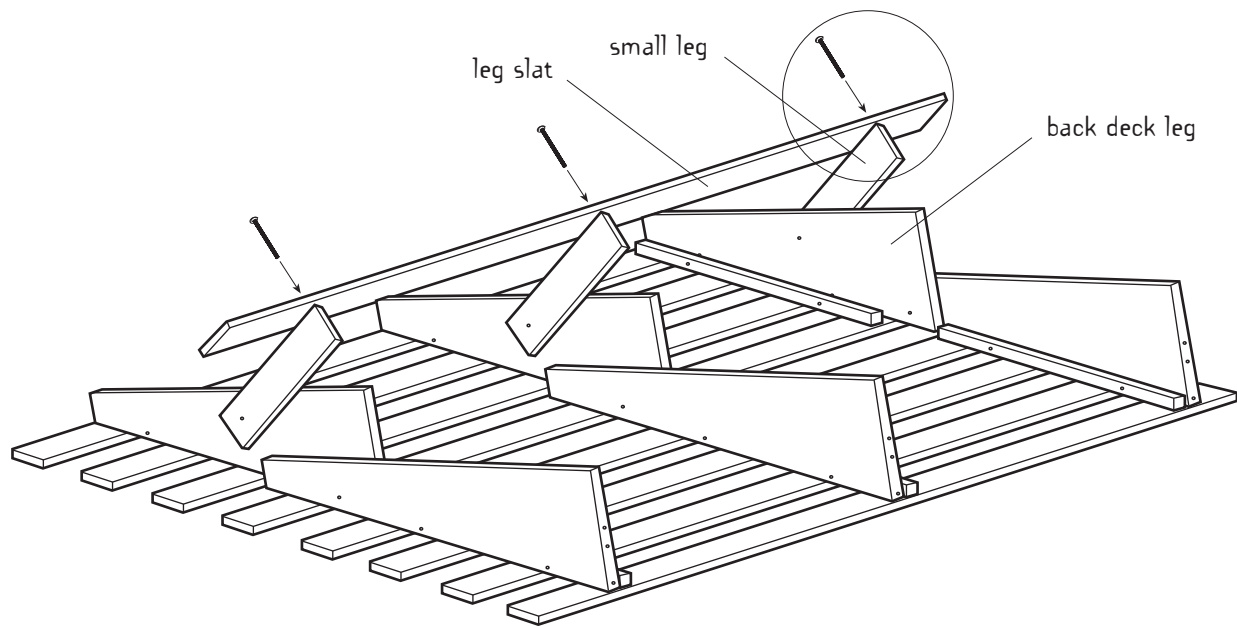
1. Stickers on the seat and back deck indicate where each leg should be attached. Simply match the leg sticker with the identical deck sticker to assemble the legs (i.e. A1 with A1). Align hardware as shown and tighten.



west elm: simple futon frame (full size)

assembly instructions

2. Attach leg slat to the small leg on back deck leg by screwing bolt (B) into the recessed nut.

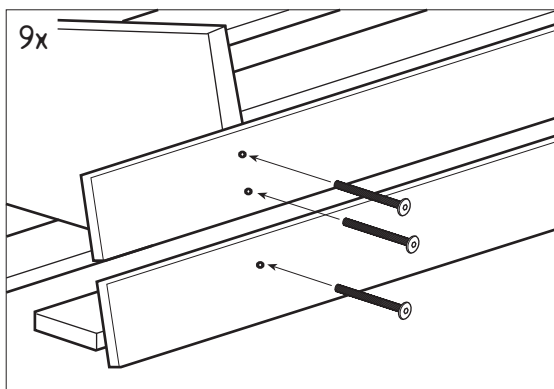
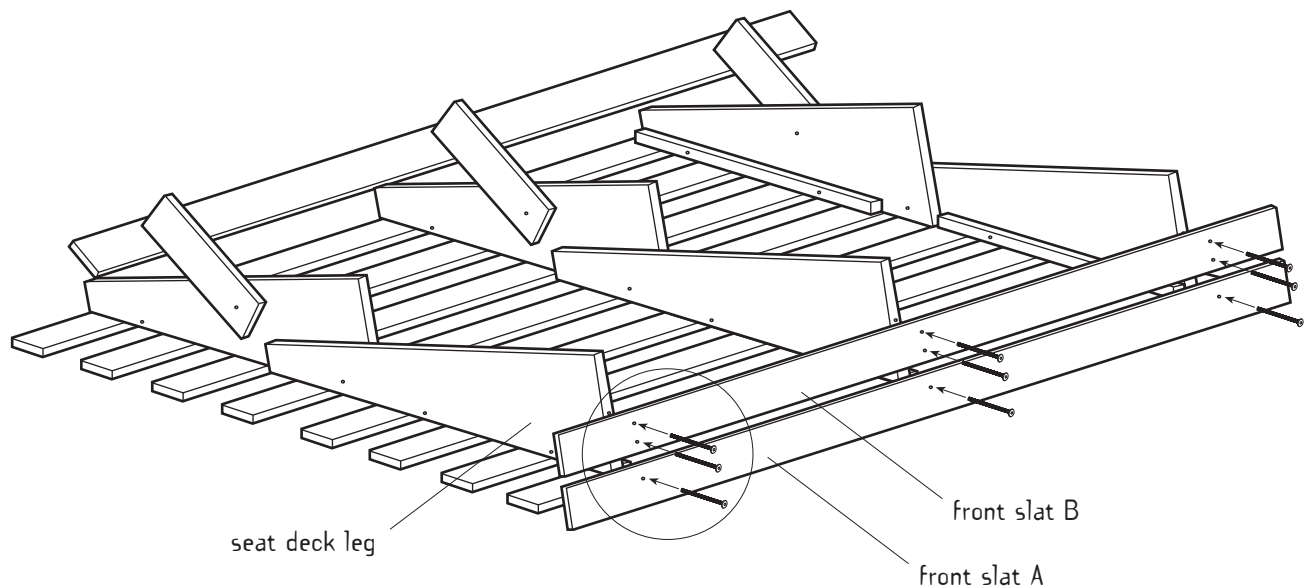


west elm: simple futon frame (full size)

assembly instructions

3. Assemble front slat A and front slat B to seat deck leg by screwing bolt (B) into the recessed nut.

NOTE. Front slat A has a single hole to attach to each seat deck leg, while front slat B has two holes.

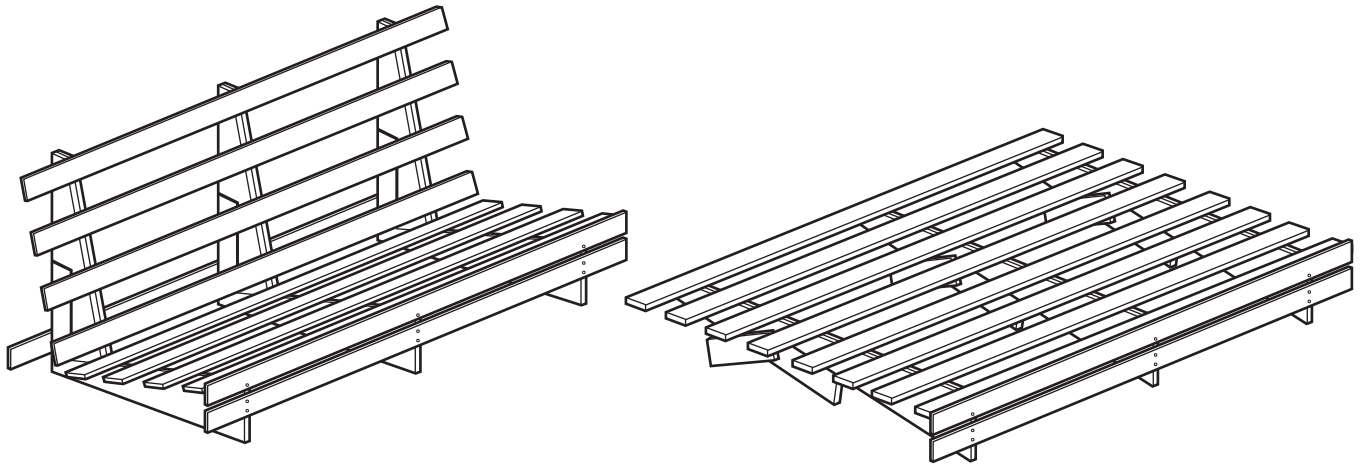


CARE INSTRUCTIONS. Hardware may loosen over time. Periodically check that all connections are tight.

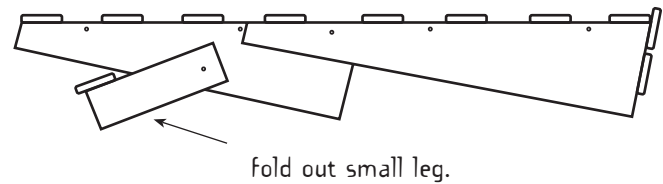
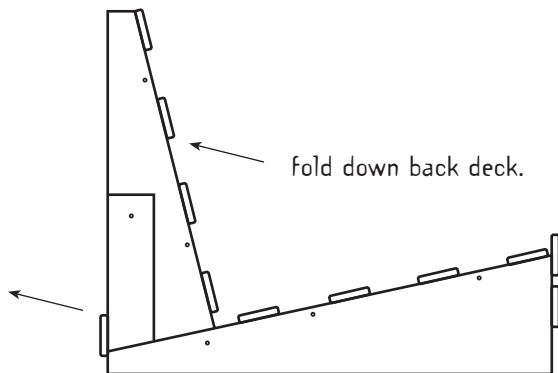
Wipe with a soft, dry cloth. To protect the finish, avoid the use of all chemicals and household cleaners.

west elm: simple futon frame (full size)

operating instructions



SOFA TO BED POSITION:



BED TO SOFA POSITION:

