
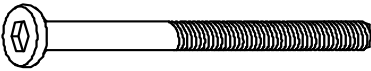
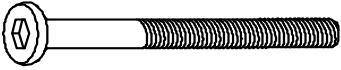
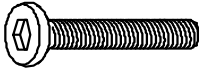

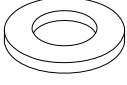
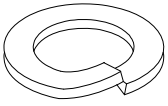


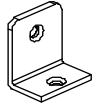






! Do not throw away any of the packaging materials until the assembly is complete.  
! To protect the finish, assemble this item on a soft surface, such as cardboard or carpet.  
! Proper assembly of this item requires 2 people.

CARE INSTRUCTIONS :

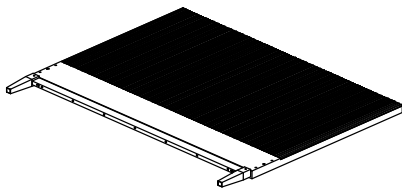
Hardware may loosen over time. Periodically check that all connections are tight. Wipe with a soft, dry cloth. To protect the finish, avoid the use of chemicals and household cleaners. All hot serving dishes should be placed on a trivet or pad. Any liquid spilled onto the table should be cleaned up immediately with a damp cloth.

HARDWARE:

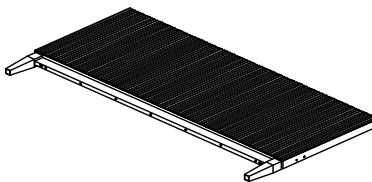
<p>A</p>  <p>Allen Key 1x</p>	<p>B</p>  <p>Bolt M6x127mm 1x</p>
<p>C</p>  <p>Bolt M8x110mm 4x</p>	<p>D</p>  <p>Bolt M6x30mm 3x</p>
<p>E</p>  <p>Spring Washer (M6) 3x</p>	<p>F</p>  <p>Flat Washer (M6) 3x</p>
<p>G</p>  <p>Spring Washer (M8) 4x</p>	<p>H</p>  <p>Flat Washer (M8) 4x</p>
<p>I</p>  <p>Barrel Nut (M8) 4x</p>	<p>J</p>  <p>Bracket 4x</p>

<p>K</p>  <p>Wood Screw 3.5x15mm 8x</p>	<p>L</p>  <p>Wood Screw 4x38mm 4x</p>
<p>M</p>  <p>Wood Screw 4x30mm 28x</p>	<p>Tools required: Philips Head Screwdriver (not included)</p> 

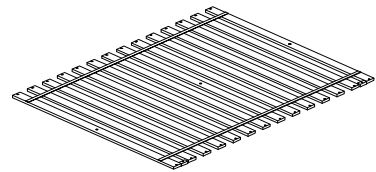
PARTS:



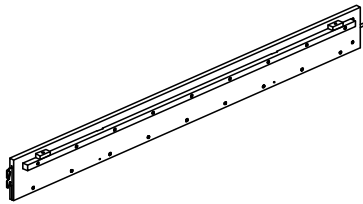
Headboard 1x



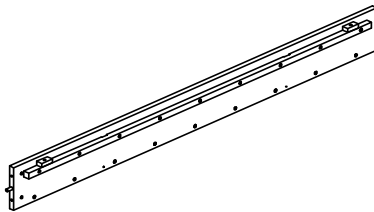
Footboard 1x



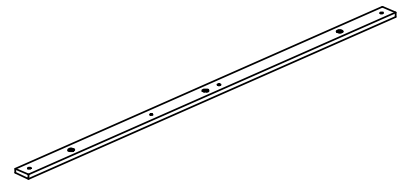
Slat Roll 1x  
Twin & Full beds do not have center holes like the drawing above shows



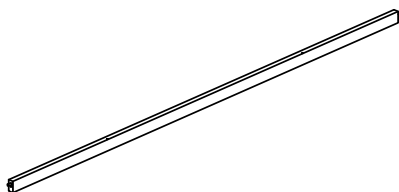
Side Rail Left 1x



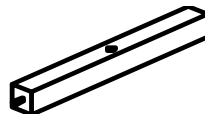
Side rail Right 1x



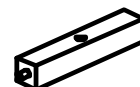
Center Support Rail 1x  
Twin & Full do not require this.



Apron 2x

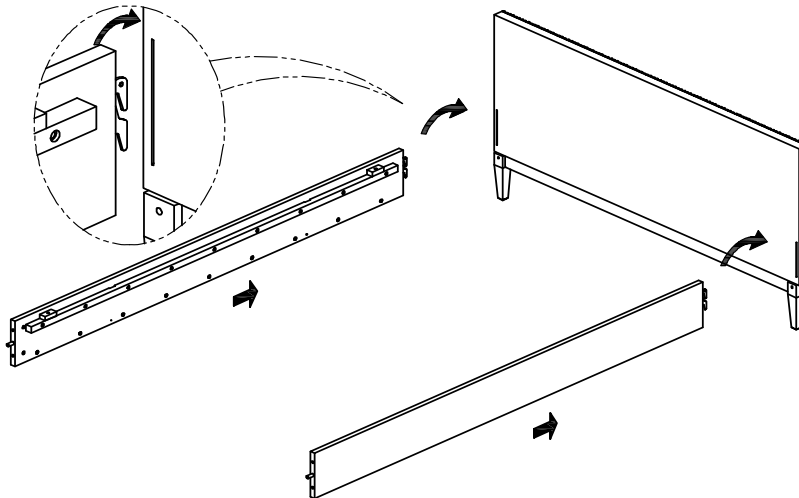


Tall Support Leg 3x  
Twin & Full do not require these.

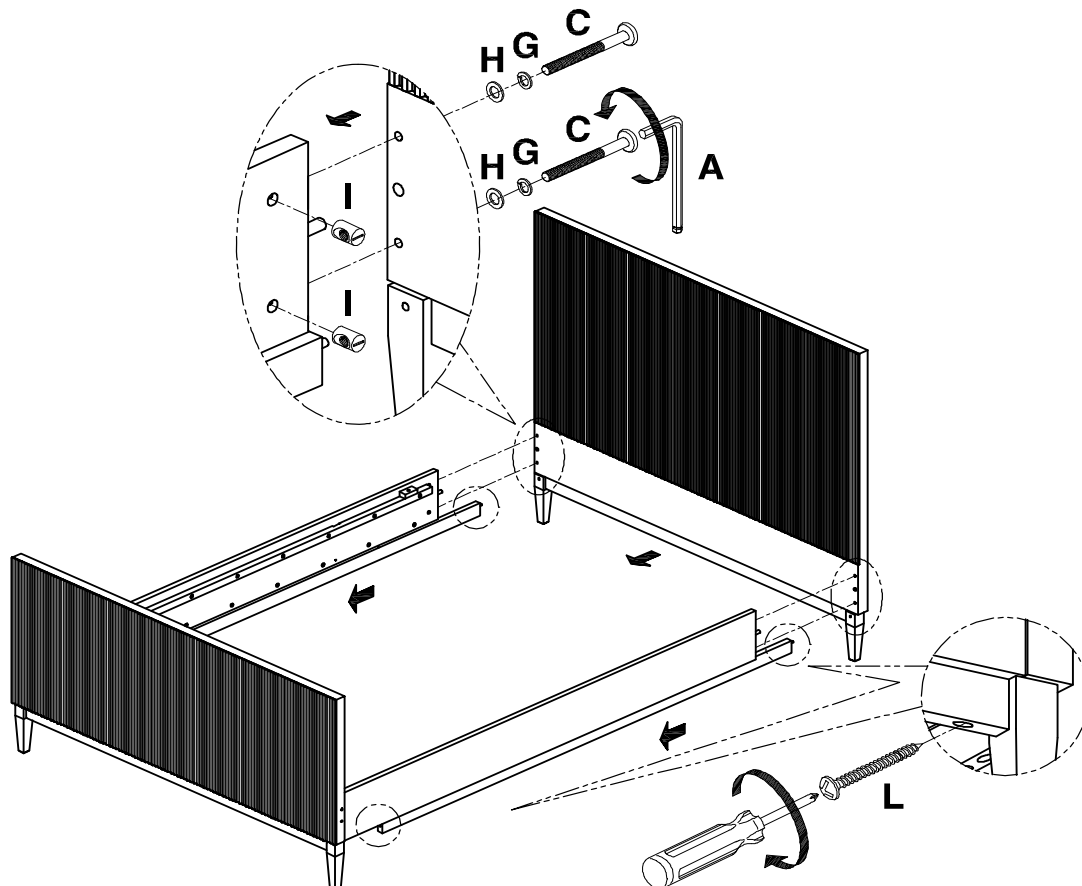


Short Support Leg 3x  
Twin & Full do not require these.

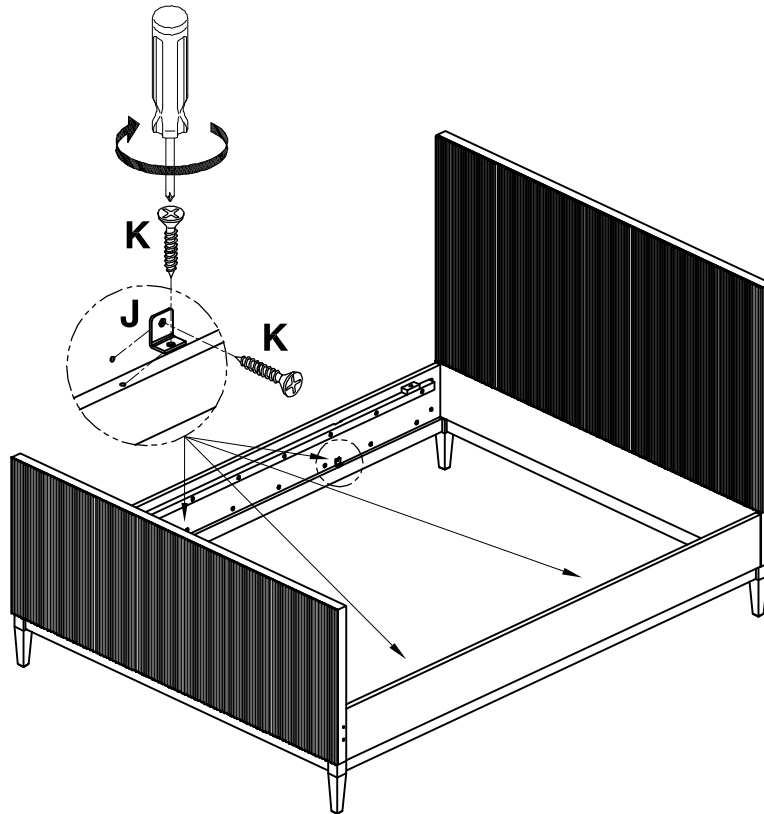
1. Hold Side Rails up to the slots on Footboard and insert the hooks of each Side Rail into the slots. Push down firmly on top of Side Rails until they slot themselves over the pins inside the legs.



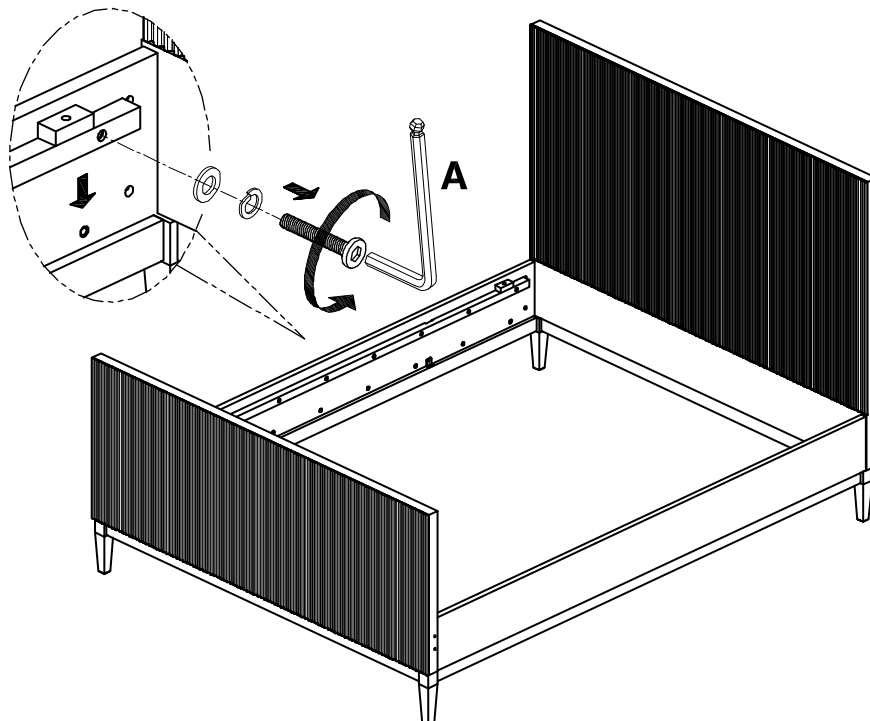
2. -With help, align Side Rail to the Headboard as shown. Insert Barrel Nut (I) into side rail as shown. Insert Bolt (C), Spring Washer (G) and Flat Washer (H) through the Headboard into the Side Rails. -Attach Apron to Headboard and Footboard with wooden dowels and pre-drilled holes aligned. Check alignments and tighten bolts connecting Headboard and Side Rails. Insert (4x) Wood Screws (L) to secure apron to Headboard and Footboard using a Philips Head Screwdriver.



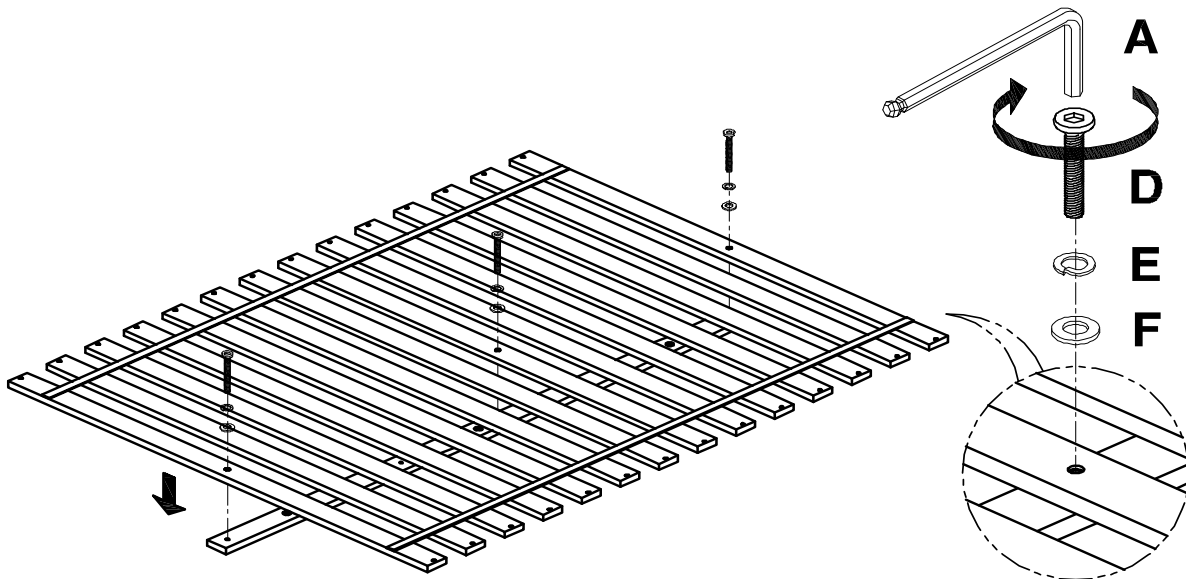
3. Attach (4x) Bracket (J) to pilot holes found on the Apron and Side Rails and insert (8x) Wood Screw (K) to secure, using a Philips Head Screwdriver.



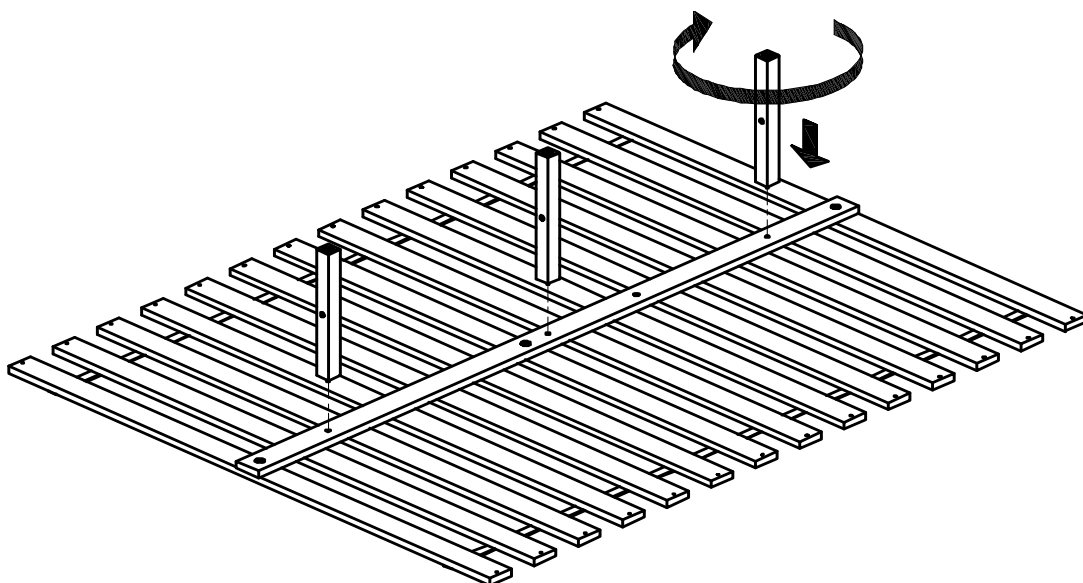
4. If to use the bed with box spring, unscrew the slat supports and lower the slat supports on the Side Rails using the supplied Allen Key.



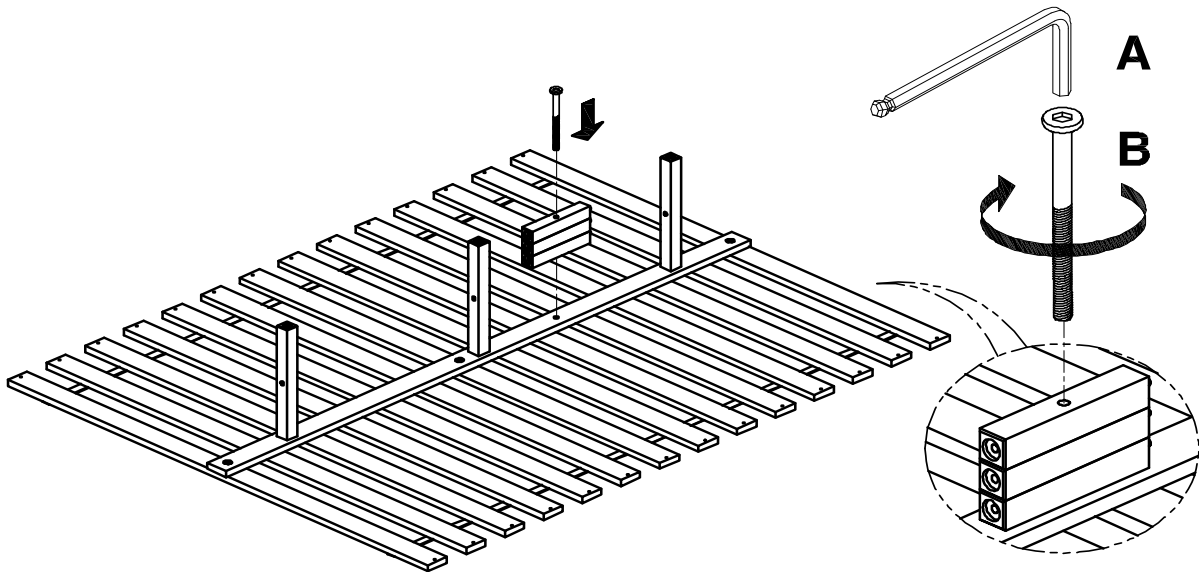
5. If you purchase a twin or full, skip to step #9.  
Open the slats onto a clean smooth surface such as carpet or cardboard. Lift one side and slide the center support rail underneath the slats as shown. Align the 3 holes. Insert Bolt (D), Spring Washer (E) and Flat Washer (F). Tighten with the supplied Allen Key.



6. With help, flip the slats over. Align the Tall Support Legs as shown and screw them into place by them clockwise. **DO NOT OVERTIGHTEN!**  
**Note: Use Short Support Legs if intend to use box spring and the slat supports lowered as in Step 5.**



7. Stack and store the unused Support Legs to the Center Support Rail as shown below. Insert Bolt (B) to secure.



8. With help, carefully lay the slats onto the bed frame as shown. Adjust levelers under center support legs in and out when necessary.
9. Insert Wood Screws (M) into slats as shown. Tighten with a Philips Head Screwdriver (not included). Do not use power tools for this operation!

