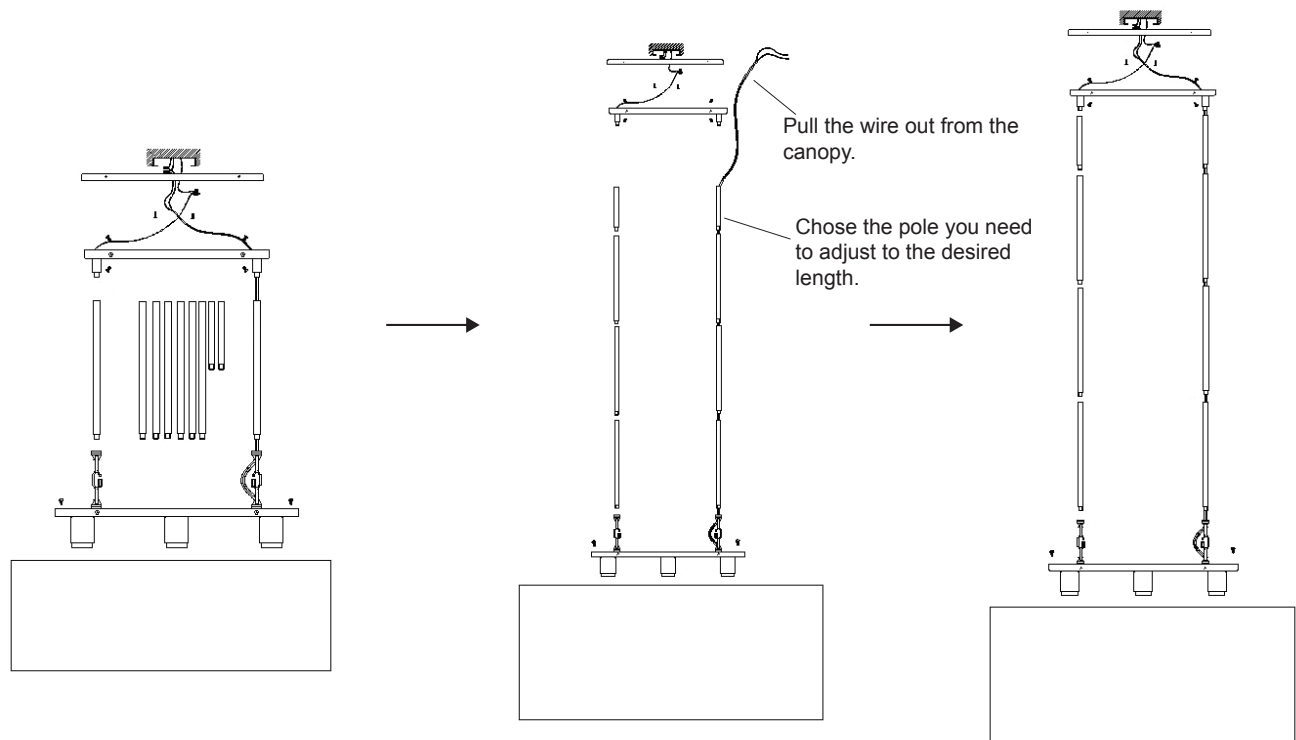


west elm

Large Rectangle Hanging Capiz Pendant assembly instructions



The length of this pendant lamp is adjustable. To adjust the length, chose from the poles included in packaging for desired length. Pull the wire from the canopy through the pole(s). Then assemble lamp as per assembly instructions.