

# west elm : block table lamp

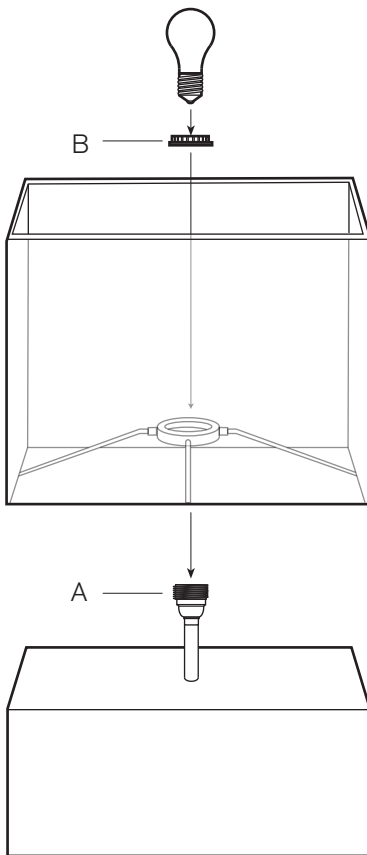
## assembly instructions

! Use with a type A bulb. DO NOT USE WITH A BULB EXCEEDING 60 WATTS.

! Electric bulb should be centered inside the shade, making sure it does not touch the sides of the shade.

! Recommended for use with west elm lamp shades only.

1. Unscrew the ring (B) from the socket (A) of the lamp base.
2. Insert the socket (A) through the ring in the lamp shade and secure by screwing ring (B) tightly back onto the socket.
3. Screw in lightbulb.



### CARE INSTRUCTIONS.

Hardware may loosen over time. Periodically check that all connections are tight.

Wipe base with a soft, dry cloth. To protect the finish, avoid the use of all chemicals and household cleaners.