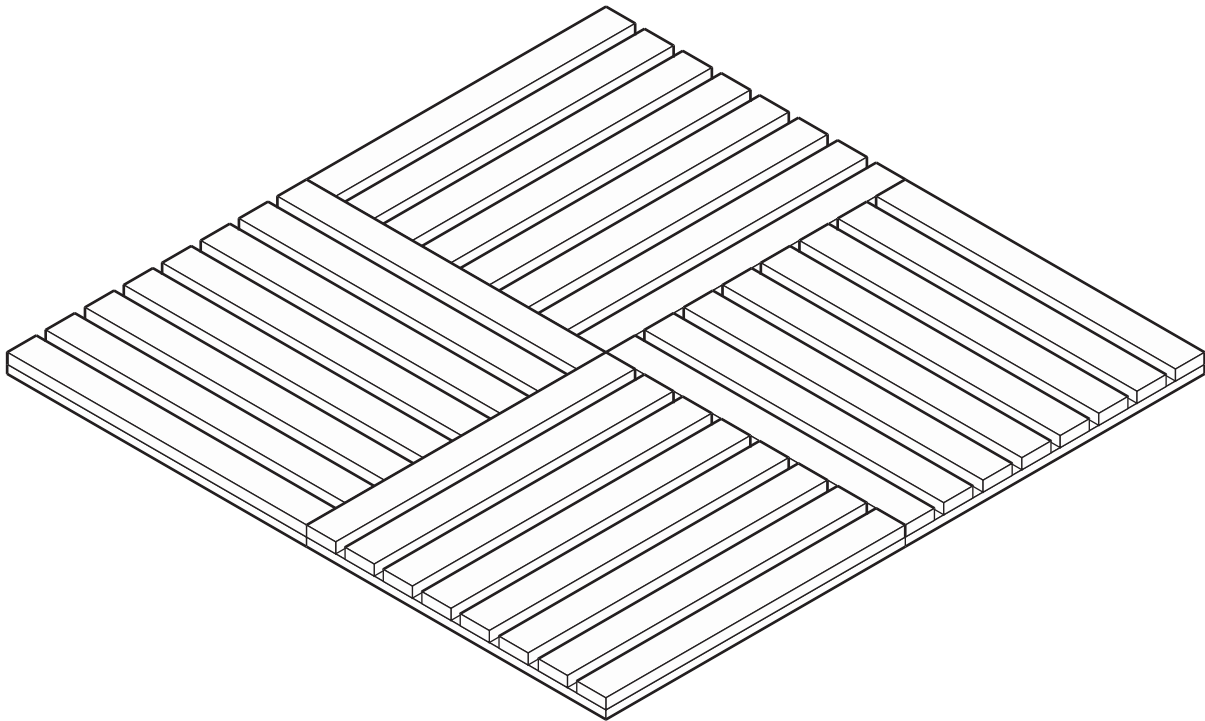


west elm : wood deck tiles

assembly instructions

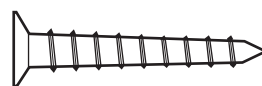


! Tools required: 

! Do not throw away packaging materials until assembly is complete.

! Assemble this item on a soft surface, such as cardboard or carpet, to protect the finish.

A

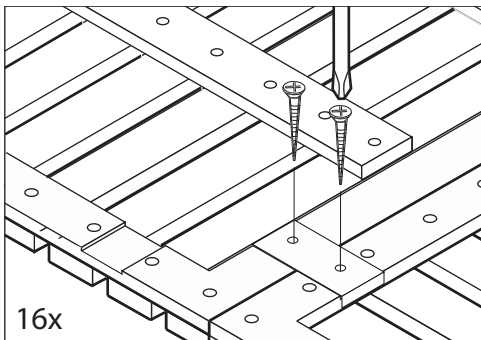
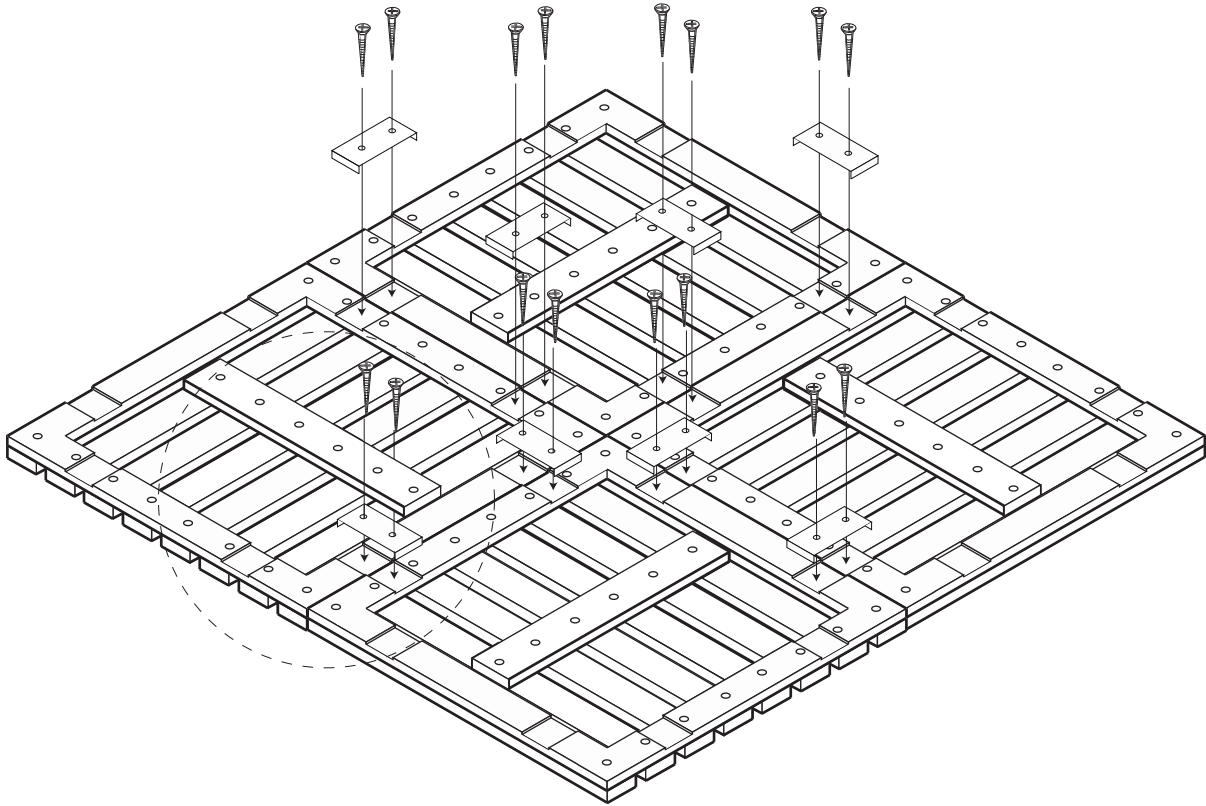


screw 16x

west elm : wood deck tiles

assembly instructions

1. Insert screws (A) through joining plate holes and into bottom of deck tile as shown. Tighten with philips head screwdriver.



CARE INSTRUCTIONS.

Wipe with a soft, dry cloth. To protect the finish, avoid the use of all chemicals and household cleaners.