

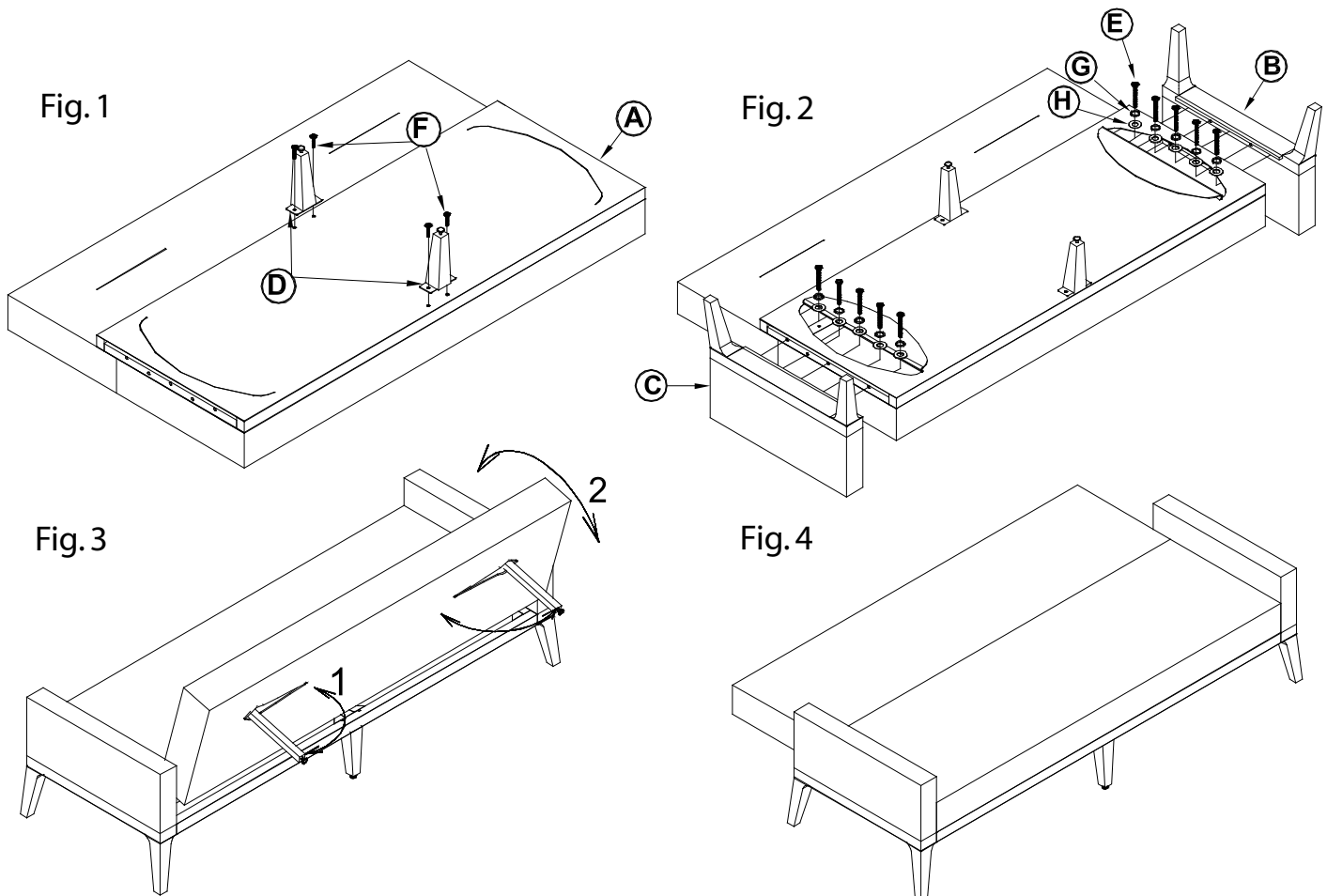
- ! Do not throw away packaging materials until assembly is complete.
- ! Assemble this item on a soft surface, such as cardboard or carpet to protect the finish.
- ! Proper assembly of this item requires 2 people.

Hardware Included

 Long Bolt (10)	 Short Bolt (4)	 Spring Washer (10)	 Flat Washer (10)	 Wrench (1)
---	---	---	--	---

Assembly:

1. Lay the seat cushion (A) upside down. Attach legs (D) to the frame using short bolts (F). (Fig. 1)
2. Unzip the bottom fabric on each side of the cushion. Lift cushion up and install arm (B)(C) to cushion with 5 long bolts (E), Washers (H), Spring washer (G) on each side. Tighten with Allen wrench. (Fig. 2)
3. Turn sofa over to upright position and fold the back up to a seating position.
4. To fold the sofa into a bed, first open zippers in the back of the back rest and pull out the folding metal support legs. Then push the back rest forward to release the spring mechanism and fold the back rest all the way down. (Fig. 3 & 4)



CARE INSTRUCTIONS

- Hardware may loosen over time. Periodically check that all connections are tight.
- Wipe with a soft, dry cloth. To protect finish, avoid the use of chemicals and household cleaners.
- Upholstery: Spot clean only.