
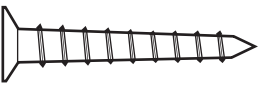

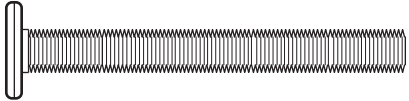


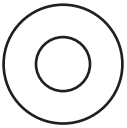




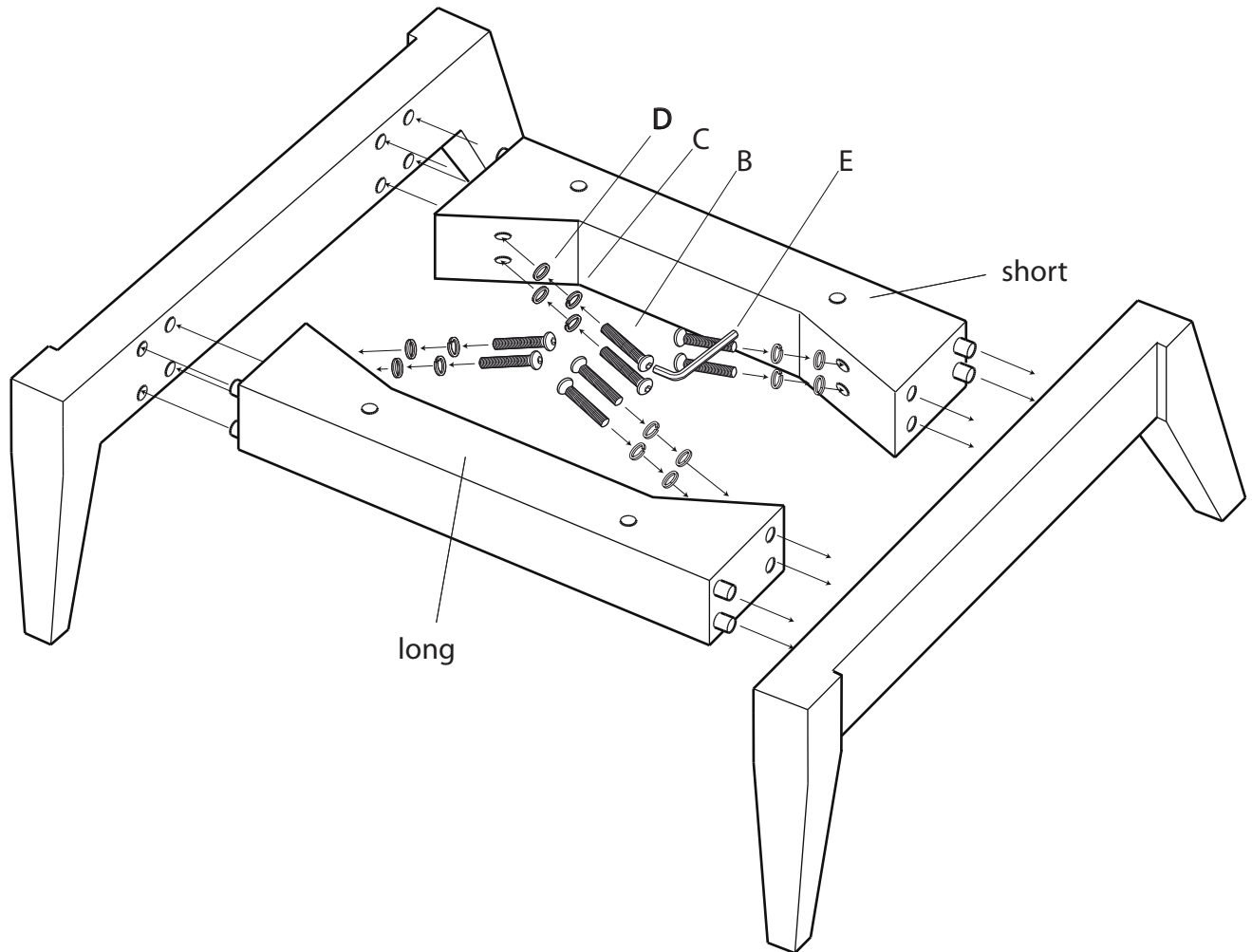
! Tools suggested: 

! Do not throw away packaging materials until assembly is complete.

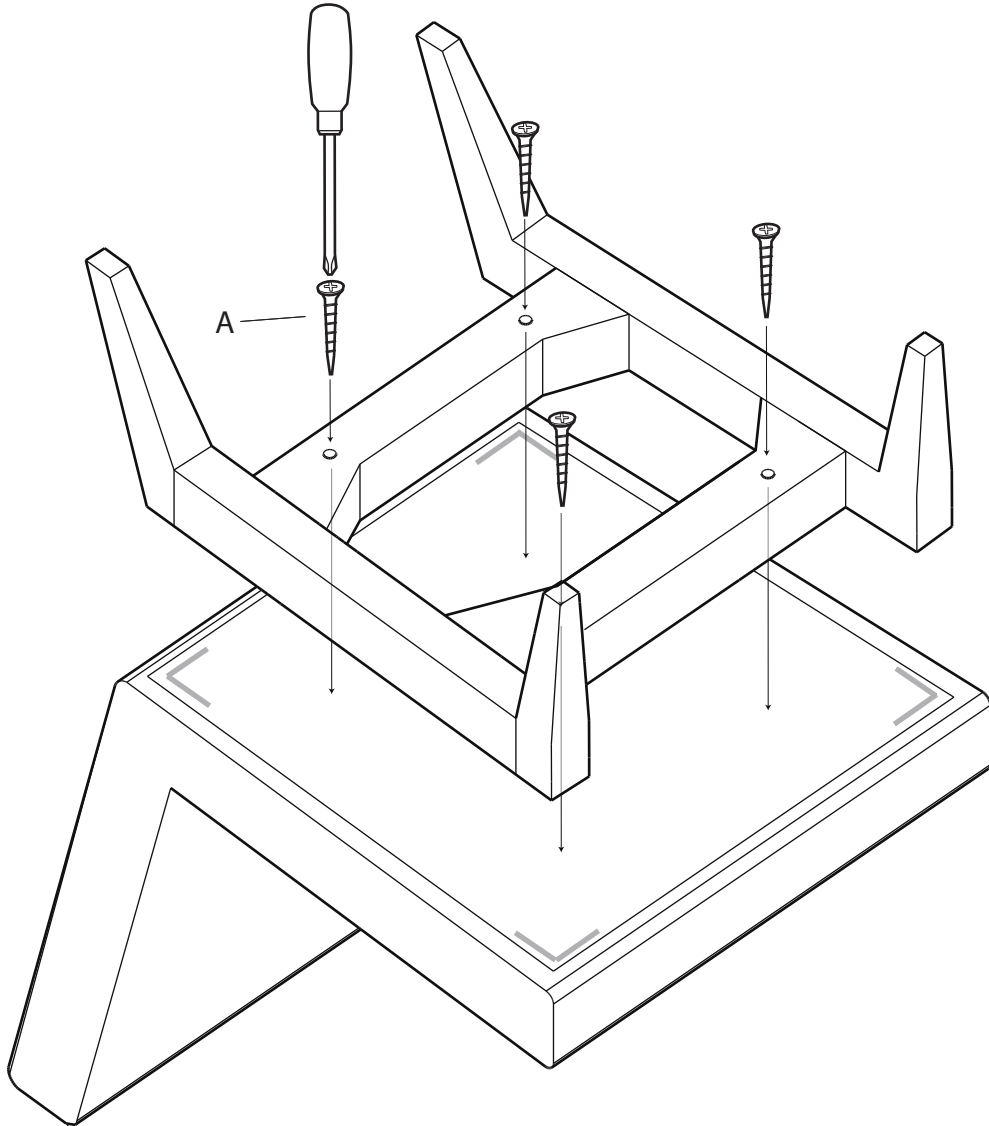
! Assemble this item on a soft surface, such as cardboard or carpet, to protect the finish.

<p>A</p>   <p>wood screw 4x</p>	<p>B</p>   <p>bolt 4x</p>
<p>C</p>   <p>lock washer 8x</p>	<p>D</p>   <p>metal washer 8x</p>
<p>E</p>  <p>allen key 1x</p>	

1. Insert dowels on ends of cross-bars into holes on legs as shown — make sure to position the shorter of the two cross bars to the back. To secure, insert bolt (B) with lock washer (C) and metal washer (D) as shown. Tighten with allen key (E).



2. Align legs to the four markings as shown. Insert short screws (A) through the holes in the cross-bars and into the base of the seat as shown. Tighten with screwdriver.



CARE INSTRUCTIONS.

Leather seat: Vacuum crevices regularly to remove dirt and dust. Natural oils from hands and body should leather conditioned. For spills, wipe any excess liquid up immediately with a clean absorbent cloth or sponge. If necessary, wipe spill with a cloth moistened with clean distilled water. Let dry naturally.

Legs: Wipe with a soft, dry cloth. To protect the finish, avoid the use of all chemicals and household cleaners.