

**Important Safety Instructions:**

- For safety purposes, this lamp is equipped with a polarized plug (one blade is wider than the other). If the plug does not fit securely into your outlet, do not force it-contact a professional electrician. Use the plug with an extension cord only if it can be fully inserted into the cord's socket. Never alter the plug in any way.
- These instructions are provided for your safety. It is important that they are read carefully and completely before assembling fixture.
- This fixture has been rated for up to (1) 100-watt maximum type A bulb (not included). To avoid the risk of fire, do not exceed the recommended wattage.

**Warning:**

- To reduce the risk of fire, electrical shock or personal injury, always turn off and unplug lamp and allow it to cool prior to replacing light bulb.
- Do not touch bulb when fixture is turned on. Do not look directly at lit bulb.
- Keep flammable materials away from lit bulb.

**Pre-assembly:**

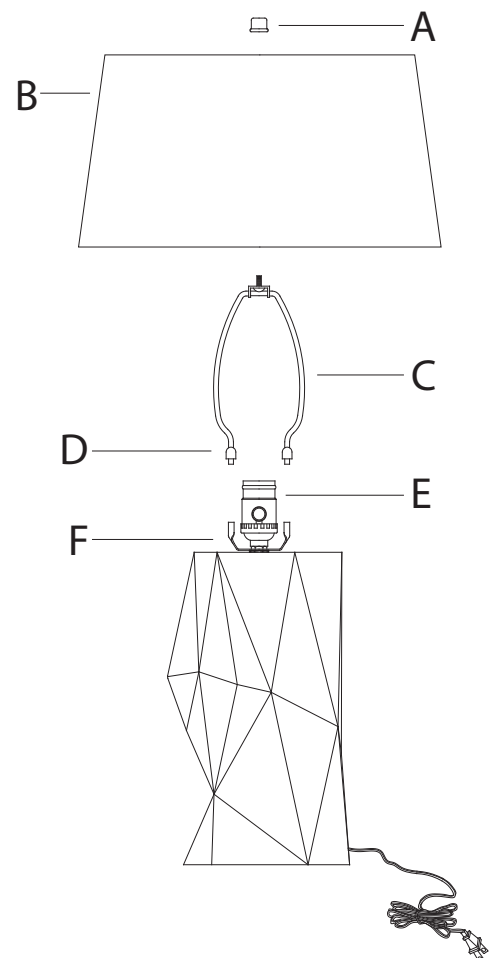
- Remove all parts and hardware from box along with any plastic protective packaging.
- Do not discard any contents until after assembly is complete to avoid accidentally discarding small parts or hardware.

**Parts enclosed:**

- (1) Finial (A)
- (1) Shade (B)
- (1) Harp (C)
- (2) Harp Caps (D)
- (1) Socket (E)
- (1) Saddle (F)

**Assembly Instructions:**

1. Insert the harp (C) into the saddle (F), and lower the two harp caps (D) until they cover the two-pronged saddle.
2. Unscrew the finial (A) from the harp. Place the shade (B) over the assembled harp, making sure the top extends through the hole at the top of the shade.
3. Attach the finial and tighten to secure the shade.
4. Insert one 100-watt maximum type A bulb (not included) into the socket (E).
5. Plug into the proper electrical outlet and test fixture.

**Care instructions:**

- Clean with soft, dry cloth.
- Always avoid the use of harsh chemicals or abrasive cleaners as they may cause damage to the lamp.