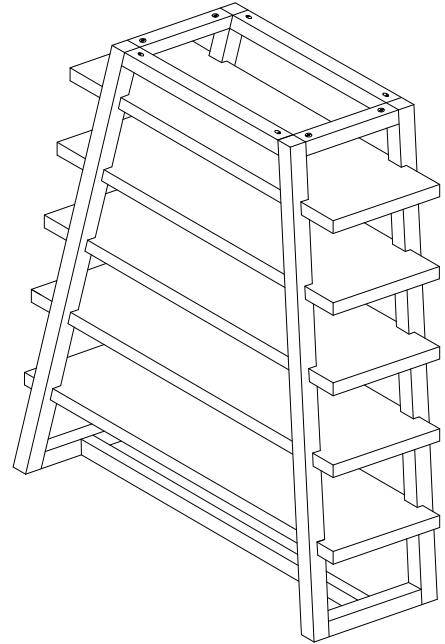
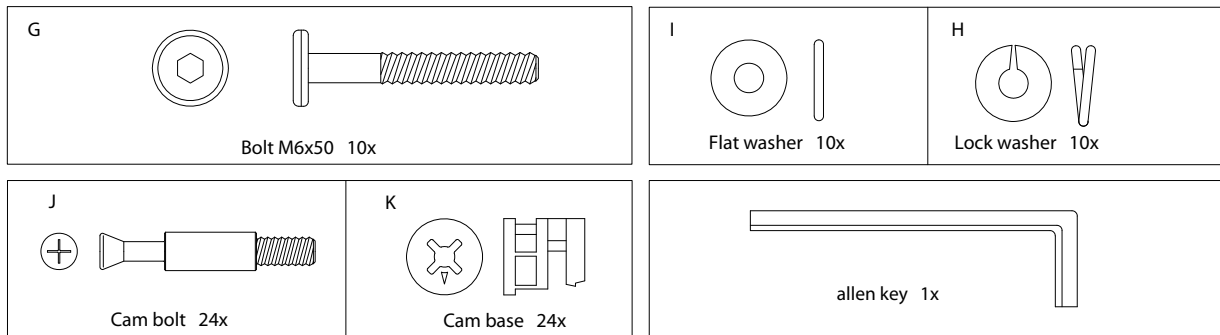




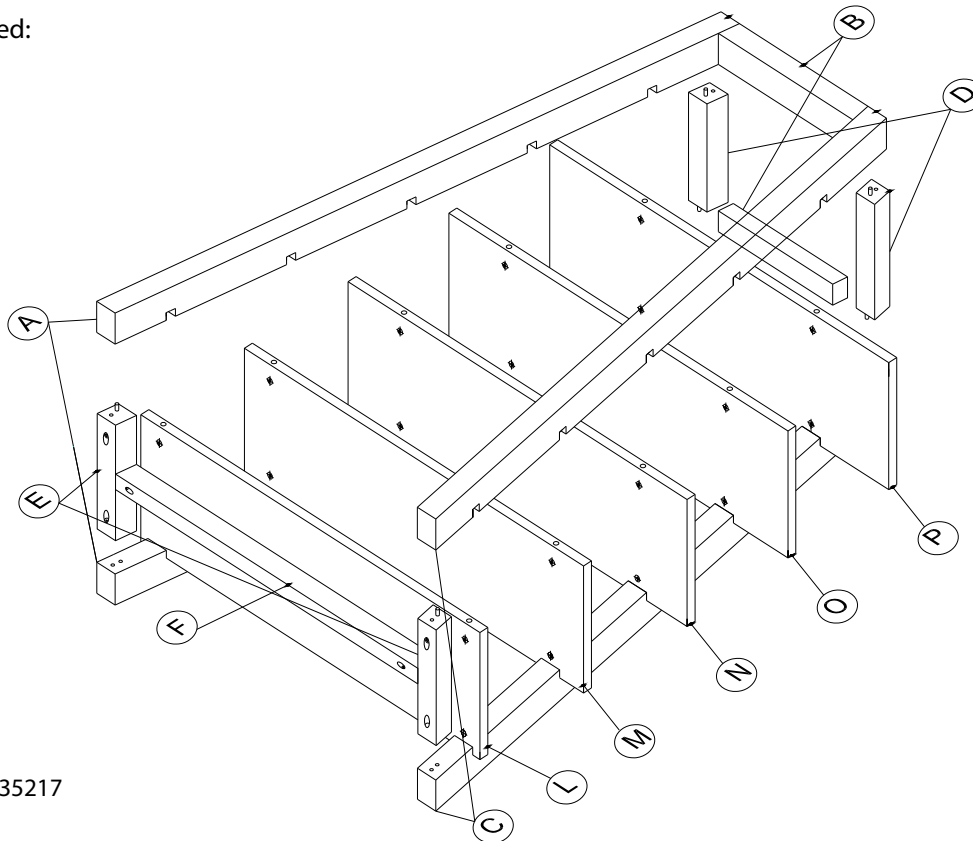
- ! Tool required:
- ! Do not throw away packaging materials until assembly is complete.
- ! Assemble this item on a soft surface, such as cardboard or carpet to protect finish.
- ! Proper assembly of this item requires 2 people.



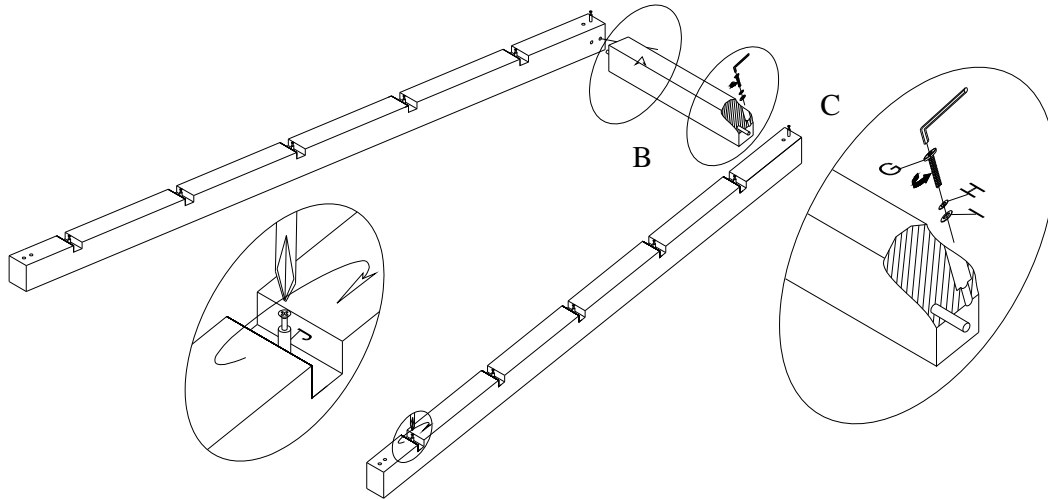
Hardware included:



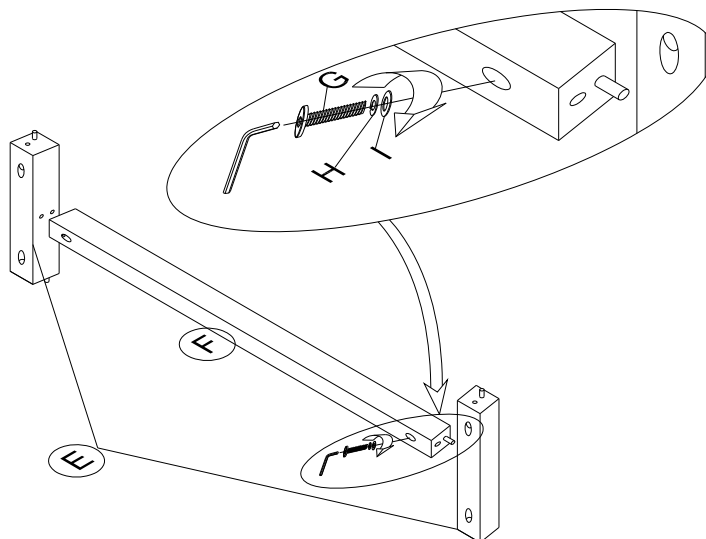
Parts included:



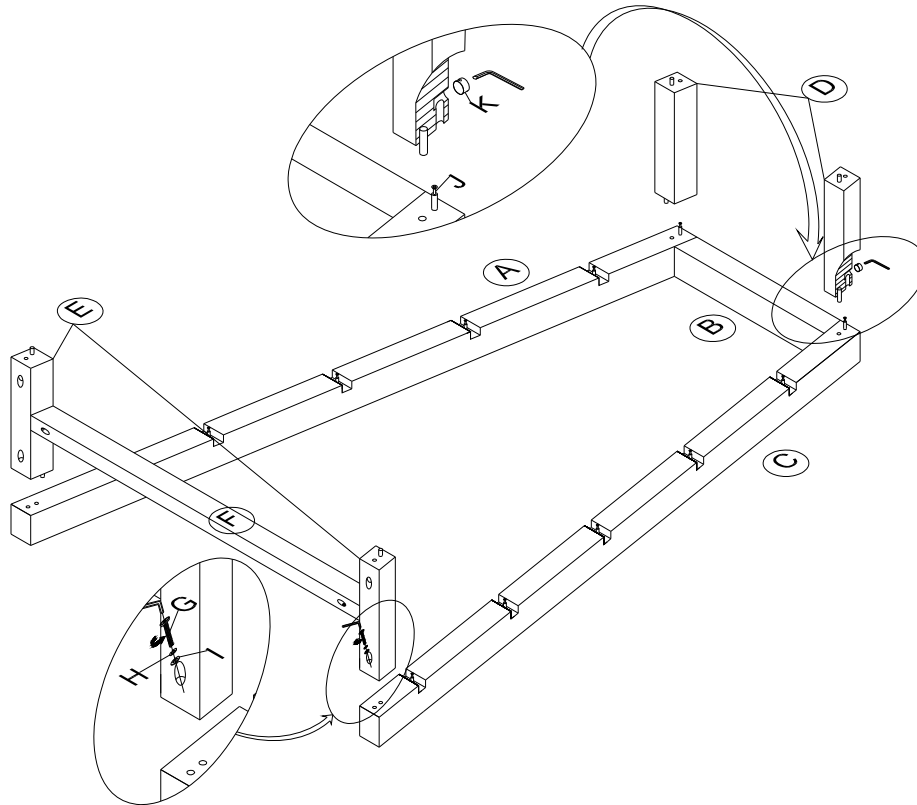
1. Assemble rail (B) to posts (A) and (C) by aligning dowels on rail (B) with pre-drilled holes on posts (A) and (C). Put bolt (G), lock washer (H) and flat washer (I) in pre-drilled holes on each end of rail (B) as shown below. Tighten bolts (G) with allen key. Insert cam bolt (J) into pre-installed insert nuts in posts (A) and (C). Tighten all cam bolts (J) with phillips head screw driver. Repeat steps for second assembly.



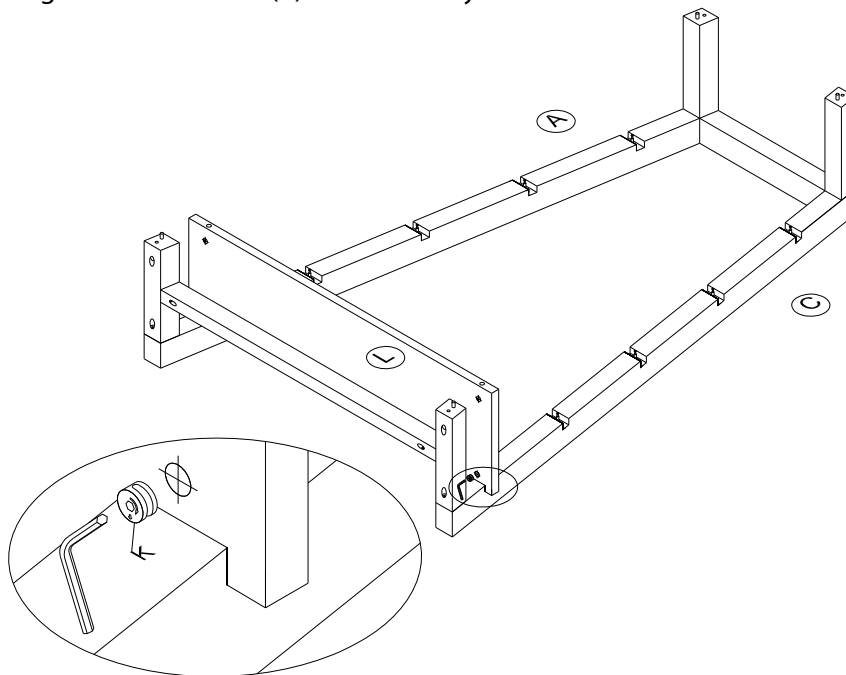
2. Assemble rail (F) with two rails (E) by aligning wooden dowels on rail (F) with pre-frilled holes on rail (E). Put bolt (G), lock washer (H) and flat washer (I) in pre-drilled hole on each end of rail (F) as shown below. Tighten bolts (G) with allen key.



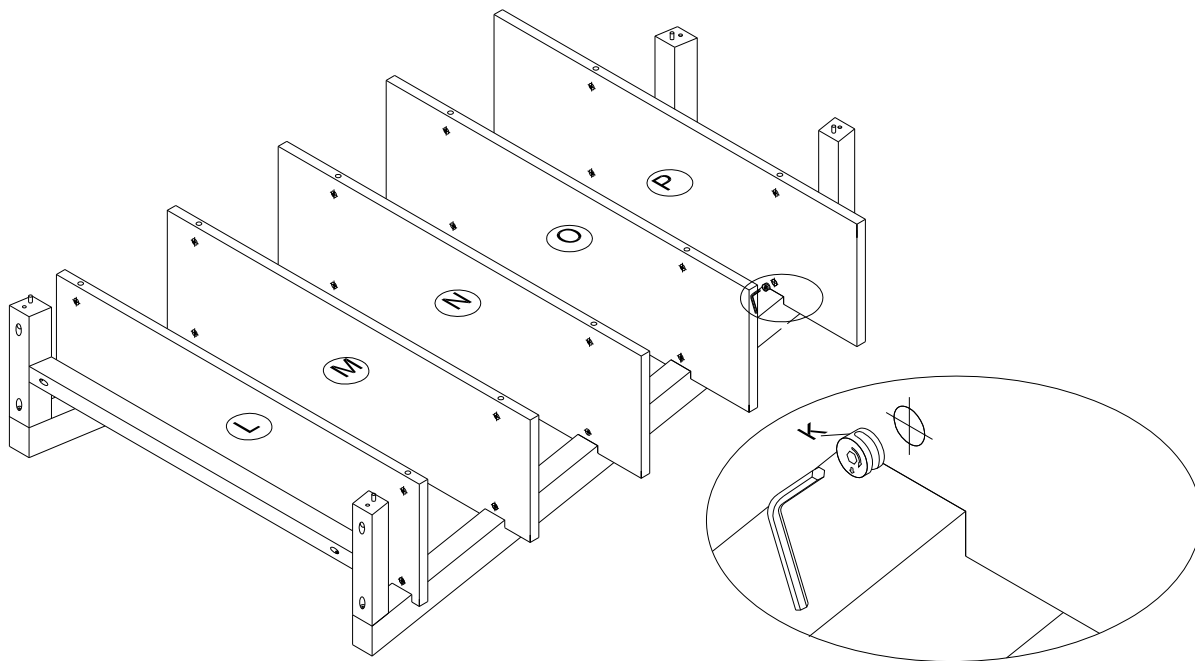
3. Assemble rails (E) to posts (A) and (C) by aligning dowels on rails (E) to pre-drilled holes on posts (A) and (C). Push bolt (G) with lock washer (H) and flat washer (I) through pre-drilled hole on rail (E) as shown below. Tighten bolts (G) with allen key. Assemble rails (D) to the other end of posts (A) and (C) by aligning dowels on rails (D) to pre-drilled holes on posts (A) and (C). Insert cam house (K) in pre-drilled hole in rail (D) as shown below. Tighten cam houses with allen key.



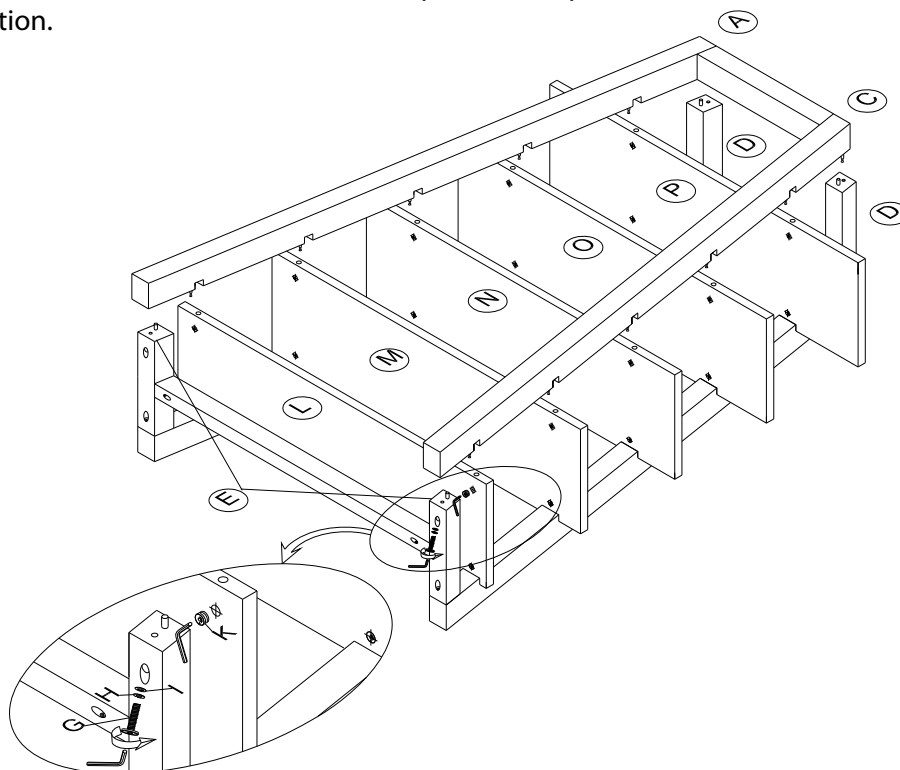
4. Align pre-drilled holes in shelf (L) with cam bolts (J) on posts (A) and (C). Put cam house (K) in pre-drilled holes under shelf (L). Tighten cam houses (K) with allen key.



5. Repeat for the rest of the shelves with the order as shown below.



6. Carefully lift the other post assembly onto partially assembled bookcase. Align post assembly with shelves and securely fasten all connections as noted in previous steps. With two adults turn the bookcase to an upright position.



CARE INSTRUCTIONS

Hardware may loosen over time. Periodically check to make sure all connections are tight.

Wipe with a soft dry cloth. To protect the finish, avoid the use of chemicals and household cleaners.

OVER BALANCE. To prevent injury and property damage from unexpected tipping of furniture, we highly recommend installation of the two (2) sets of overbalance protection hardware included with this product.

1. Attach the two mounting brackets (I) horizontally to the top back edge of the furniture. Insert the short screws (III) through the holes in the bracket (I) and tighten securely using screwdriver.
2. Determine where the furniture is to be placed and mark location on the wall for the other two mounting bracket screw holes. It should be placed approximately 2" below the bracket mounted to the furniture.
3. Attach the two mounting brackets (I) vertically to the wall by inserting the long screws (IV) provided through the holes in the bracket and tightening securely using screwdriver.
4. Place the furniture so the brackets (I) on the back edge are in line with the brackets (I) on the wall.
5. Lace an end of the nylon restraint strap (II) down through each bracket (I). Bring both ends together and slide the thin end of the strap through the receiving end of the strap until snug.
6. Check to make sure the strap is securely laced and locked to the brackets.
7. Repeat steps 5 and 6 for the second bracket set.

