

Sculptural Single Pendant Assembly Instructions

CAUTION:

- **BEFORE INSTALLING FIXTURE, MAKE SURE THE POWER TO THE CIRCUIT IS TURNED OFF AT THE MAIN FUSE BOX / CIRCUIT BREAKER UTILITY BOX.**

Important Safety Instructions:

- These instructions are provided for your safety. It is very important that they are read carefully and completely before beginning the assembly and installation of this lighting fixture.
- We strongly recommend that a professional electrician install all direct wire fixtures.
- THIS PRODUCT MUST BE INSTALLED IN ACCORDANCE WITH THE APPLICABLE INSTALLATION CODES BY A PERSON FAMILIAR WITH THE CONSTRUCTION AND OPERATION OF THE PRODUCT AND THE HAZARDS INVOLVED.
- The lighting fixture is meant for indoor use. It must be connected only to 3-wire, single-phase electrical supply systems (provided with Ground wire or equivalent protection system).
- For your safety, it is strongly recommended that two people install the lighting fixture.
- This fixture has been rated for up to one (1) **60-watt maximum TYPE A standard incandescent light bulb**(not included) or one (1)**13-watt compact fluorescent light bulb** (not included). To avoid the risk of fire, do not exceed the recommended wattage.
- Use with approved West Elm Shade only, having a minimum opening diameter of 3-1/2 inches and a minimum lamp-to-shade spacing of 2-1/2 inches.
- This lighting fixture is intended for indoor or protected/covered outdoor areas. Do not expose to direct rainfall.
- SUITABLE FOR EITHER DRY OR DAMP LOCATIONS.
- **Save these instructions.**

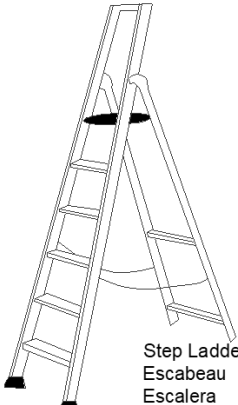
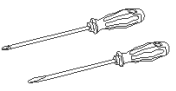

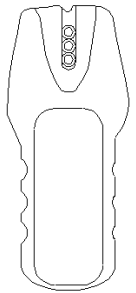
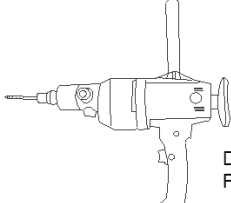
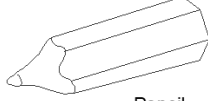
WARNING:

- **To reduce the risk of fire, electrical shock or personal injury, always turn off light fixture and allow it to cool prior to replacing light bulb.**
- **Do not touch bulb when fixture is turned on. Do not look directly at lit bulb.**
- **Keep flammable materials away from lit bulb.**

Pre-assembly:

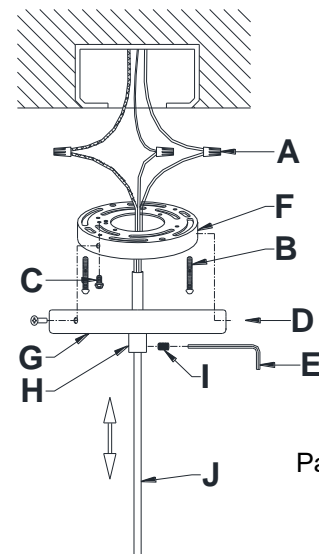
- Remove all parts and hardware from box along with any plastic protective packaging.
- Do not discard any contents until after assembly is complete to avoid accidentally discarding small parts or hardware.
- For your safety and convenience, assembly by two people is recommended.

TOOLS REQUIRED (not included):

 <p>Step Ladder Escabeau Escalera</p>	 <p>Phillips head, Flat Blade Screwdrivers Tournevis à tête Phillips et à tête plate Destornilladores Cabeza Phillips y Destornilladores Cabeza Plana</p>	 <p>Plier Pince Alicates</p>	 <p>Stud Finder</p>
	 <p>Drill and Drill Bit Foret et Perceuse</p>	 <p>Pencil Crayon Lapiz</p>	

Parts Included:

- (C) Green Ground Screw (1)
- (D) Canopy Screws (3)
- (F) Mounting Plate (1)
- (G) Canopy (1)



(H) Collar(1)

(I) Set Screw (1)

(J) Power Cord (1)

(K) Socket (1)

(L) Glass Shade (1)(Packed separated)

(M) Spacer (1)

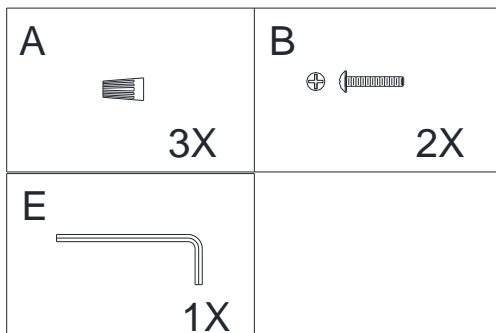
(N) Socket Ring (1)

Hardware Enclosed:

(A) Plastic Wire Nut Connectors (3)

(B) Mounting Screws (2)

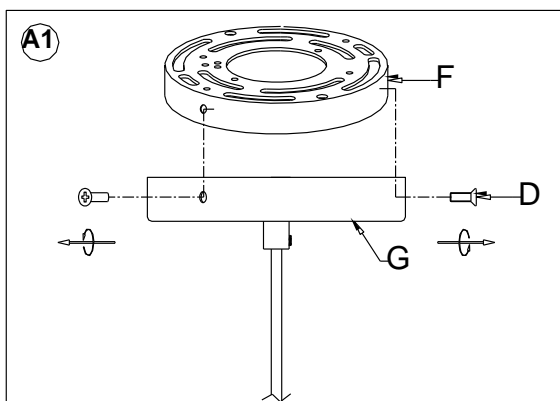
(E) Allen Wrench (1)



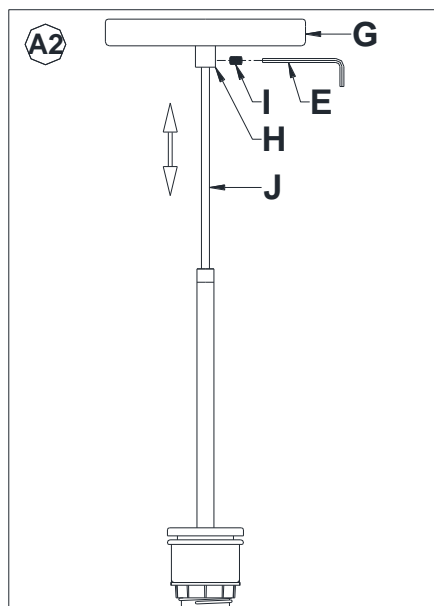
To Adjust the Suspension Length of the Fixture:

- Note: The adjustment or shortening of the lighting fixture's suspension length is only needed if the factory set Power

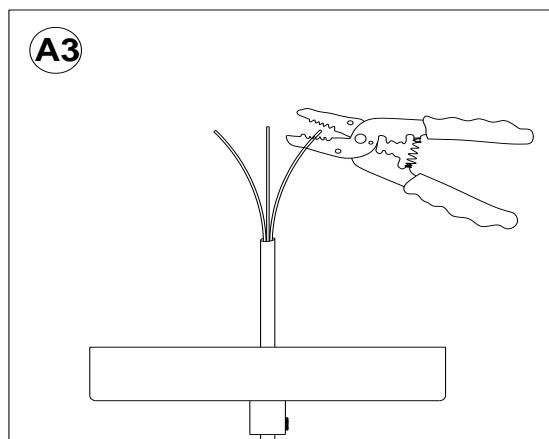
Cord (J) length is not appropriate for your installation. We recommend that you adjust the proper desired length before cutting the electrical cord. Determine the lighting fixture suspension length from the ceiling for the product installation, allowing the extra cord length for the outlet junction box wire connections as noted below.



1. Separate the Mounting Plate (F) from the Canopy (G) by removing the 3 Canopy Screws (D). Do not discard the Canopy Screws (D) as these will be used later.



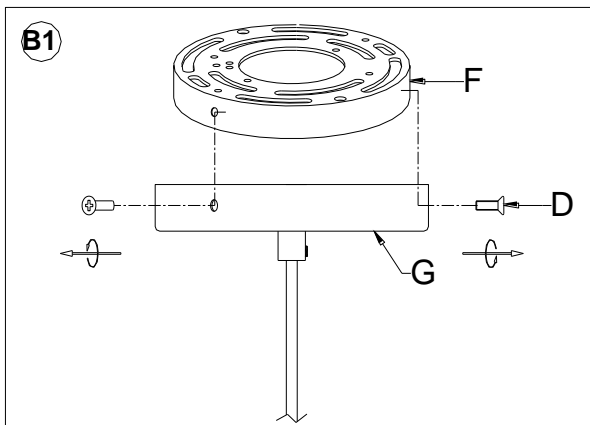
2. Loosen the Set Screw (I) from the Collar (H) under the Canopy (G) using an Allen Wrench (E) by turning counter-clockwise. Adjust the Power Cord (J) upwards or downwards through the Canopy (G) until a new desired suspension length is determined. Secure the Power Cord (J) in place by tightening the Set Screw (I) onto the Collar (H). Do not over tighten the screw, making sure the Power Cord (J) will not slip downwards with the pendant body.



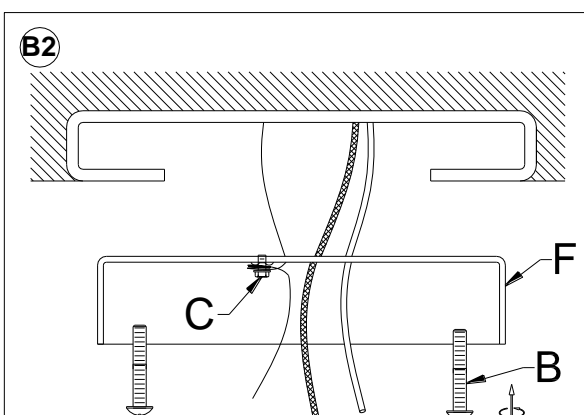
3. If needed, cut off the extra power cord length on the 3 wire cords so that they all are at least 4 inches (101.6 mm) long within the outlet junction box (I-box).

Assembly & Installation Instructions:

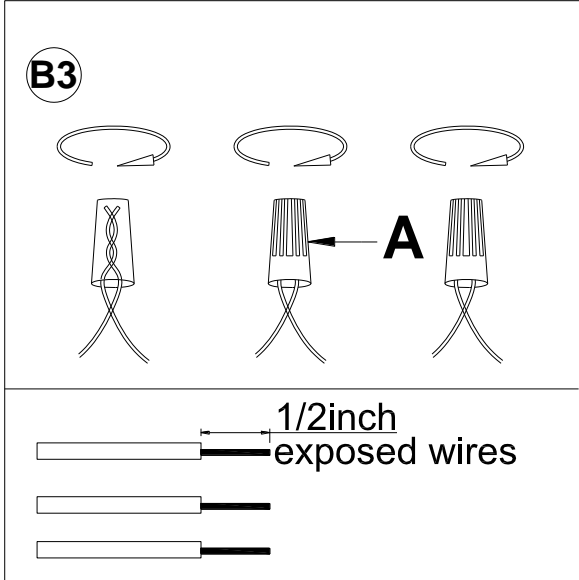
- **SHUT OFF THE MAIN ELECTRICAL SUPPLY FROM THE MAIN FUSE BOX/CIRCUIT BREAKER!**
- Carefully unpack all fixture parts and hardware and lay them on a clear workspace.



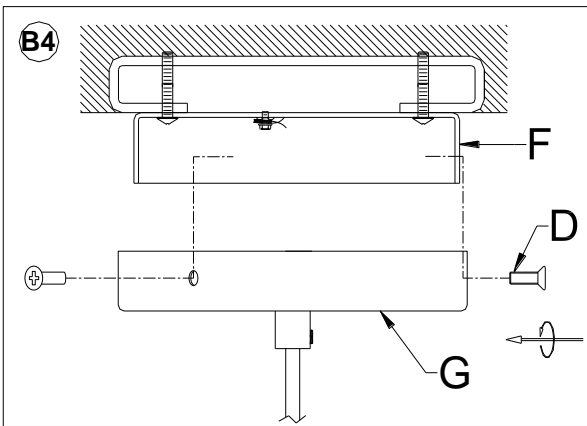
1. Separate the Mounting Plate (F) from the Canopy (G) by removing the 3 Canopy Screws (D). Do not discard the Canopy Screws (D) as these will be used later.



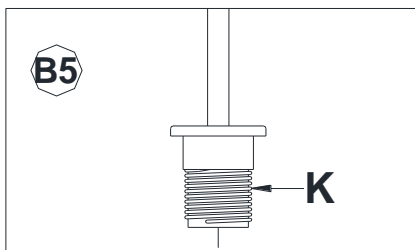
2. Gently pull existing wire down from the ceiling junction box and allow wires to hang. Attach Mounting Plate (F) to the ceiling outlet box, aligning the slots of the Mounting Plate (F) with the two threaded holes located on the J-Box. Insert and tighten 2 Mounting Screws (B) with a screwdriver.



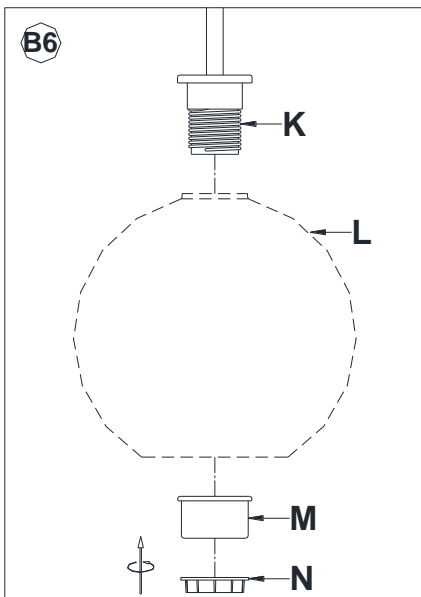
3. Please read the section "To Make the Wire Connections" Below.



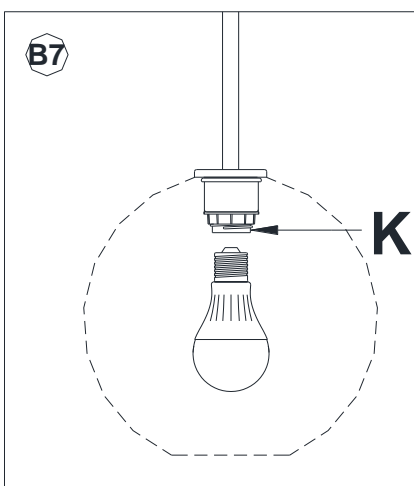
4. With the help of another person to hold the weight of the light fixture, position the Canopy (G) over the Mounting Plate (F), aligning the 3 holes on the Canopy (G) with the 3 holes from the Mounting Plate (F). Insert the 3 Canopy Screws (D) and tighten to secure the Canopy (G) in place.



5. Unscrew the Socket Ring (N) and Spacer (M) from the Socket (K).



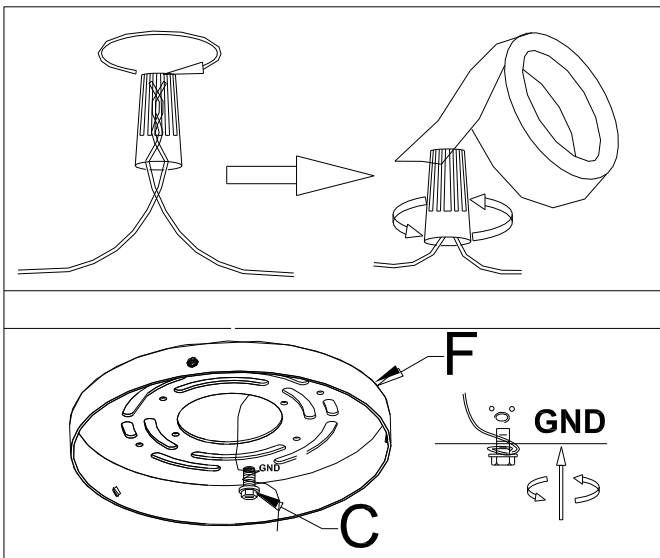
6. Put the Glass Shade (L) and Spacer (M) onto the Socket (K), secure Glass Shade (L) and Spacer (M) by rotating the Socket Ring (N) in a clockwise direction until tight. Do not over tighten.



7. Insert the specified light bulb into the Socket (K). DO NOT EXCEED THE SPECIFIED WATTAGE.

To Make the Wire Connections:

1. Gently pull existing wire down from the ceiling junction box and allow wires to hang. The HOT or LIVE wire is usually black. The NEUTRAL wire is usually white. Check to see if there is a ground wire that is usually green or green with a yellow stripe or exposed copper metal wire. If need, use a pair of wire strippers to remove about 1/2 inch of insulation from each wire.
2. Carefully inspect the fixture wires. The NEUTRAL FIXTURE WIRE is White. The HOT FIXTURE WIRE is Black. And the GROUND WIRE is Green. If you have any doubt and cannot identify the power-supply wires with confidence, then we recommend that you ask an electrician and that you not continue with the installation.
3. With the help of another person to hold the weight of the fixture, attach the fixture wires to the junction box wires as shown in the illustrations.



Connect the GROUND FIXTURE WIRE to the GROUND J-BOX WIRE using the Plastic Wire Nut Connector (A) and wrap the connection with electrical tape. Be sure that no wire strands are exposed.

If the junction box DOES NOT have a GROUND WIRE, wrap the fixture's bare ground wire around the Green Ground Screw (C) and insert the screw into the Mounting Plate (F), marked as "GND", and tighten screw to secure the wire.

Connect the NEUTRAL FIXTURE WIRE to the NEUTRAL J-BOX WIRE first and then connect the HOT FIXTURE WIRE to the HOT J-BOX WIRE using the Plastic Wire Nut Connectors (A). Wrap these connections with electrical tape. Be sure that no wire strands are exposed.

NOTE:

IT IS IMPERATIVE THAT THE JUNCTION BOX IN YOUR HOME BE PROPERLY GROUNDED!

DO NOT REVERSE THE HOT AND NEUTRAL CONNECTIONS OR SAFETY WILL BE COMPROMISED.

4. Check the wiring connections and if all looks good, gently tuck the wire connections neatly into the ceiling junction box.

Care instructions:

- Wipe clean with a soft, dry cloth or static duster.
- Always avoid the use of harsh chemicals or abrasive cleaners as they may cause damage to the fixture's finish.

Thank you for your purchase

Stores | catalog | www.westelm.com

USA888-922-4119