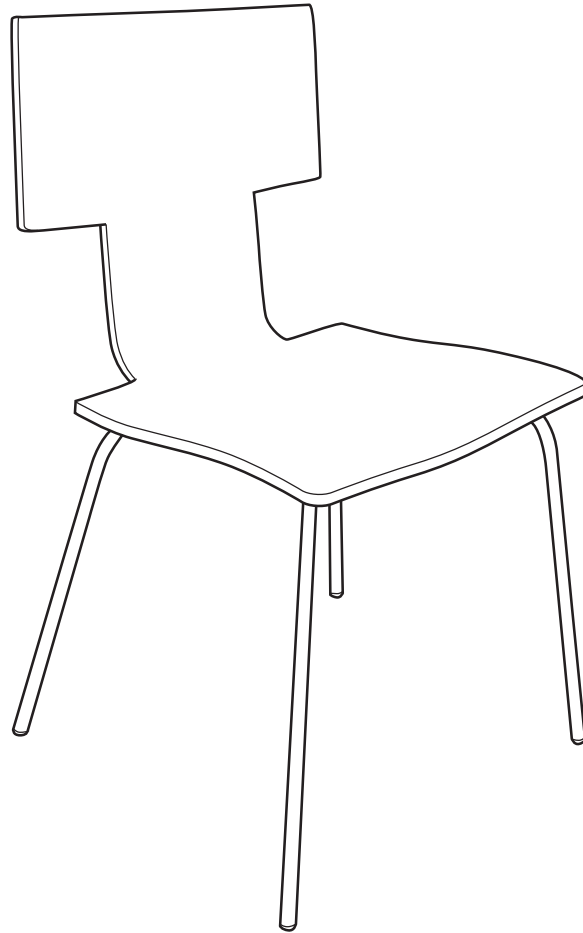
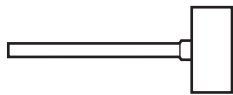


west elm : t chair

assembly instructions



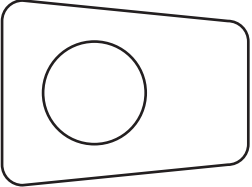



! Tools required:



! Do not throw away packaging materials until assembly is complete.

! Assemble this item on a soft surface, such as cardboard or carpet, to protect the finish.

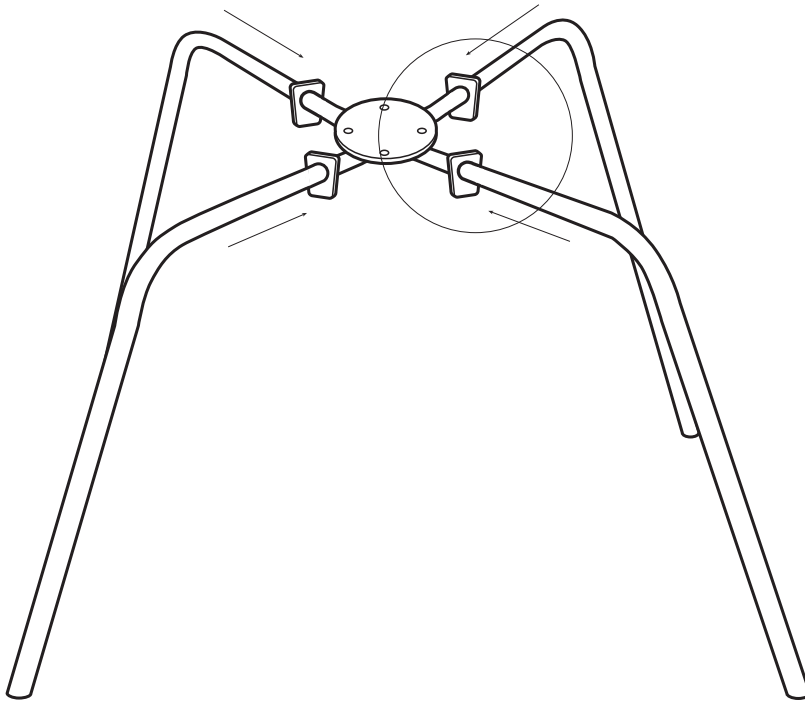
! Follow the assembly instructions for each of the two chairs provided.

<p>A</p>  <p>plastic spacer 4x</p>	<p>B</p>  <p>bolt: 1/4" dia x 1/2" 4x</p>
<p>C</p>  <p>lock washer 4x</p>	<p>D</p>  <p>allen key 1x</p>

west elm : t chair

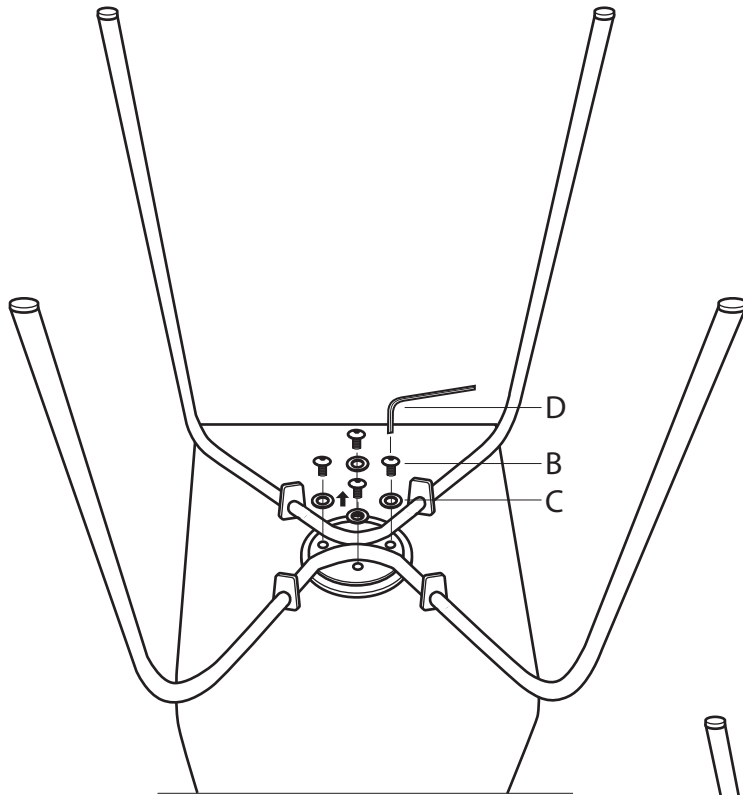
assembly instructions

1. Slide spacers (A) on frame close to the metal plate.



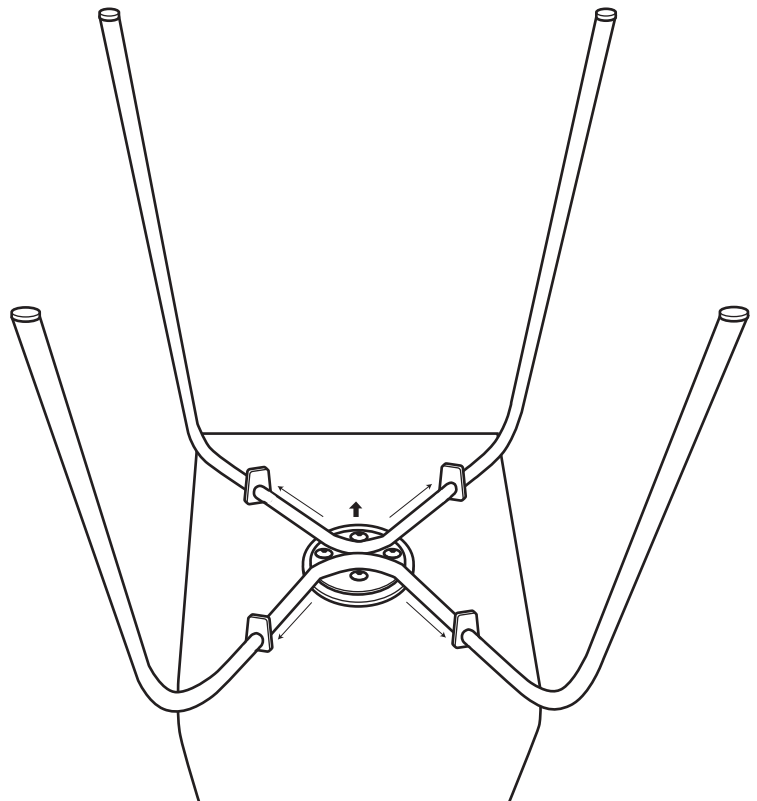
west elm : t chair

assembly instructions



2. Match front of base (marked with arrow sticker on the metal plate) with front of seat (marked with arrow sticker on underside of seat).
3. Attach lock washer (C) with bolt (B). Secure with allen key (D). Do not tighten fully.
4. Adjust seat so that it is aligned with the base. Do not over tighten or bolt heads could strip.

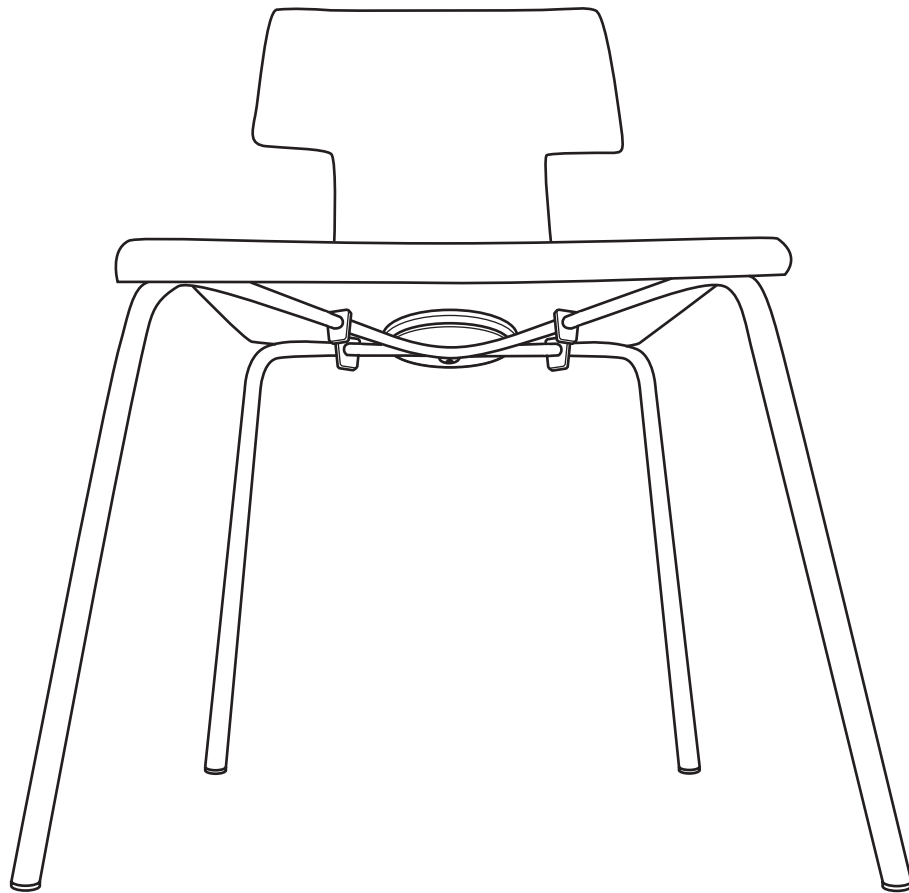
5. Move the spacers (A) towards the outside of the frame until they stop underneath the seat.



west elm : t chair

assembly instructions

6. Sit on the chair and re-tighten all bolts.



CARE INSTRUCTIONS:

Hardware may loosen over time. Periodically check that all connections are tight.

Wipe with a soft, dry cloth. To protect the finish, avoid the use of all chemicals and household cleaners.