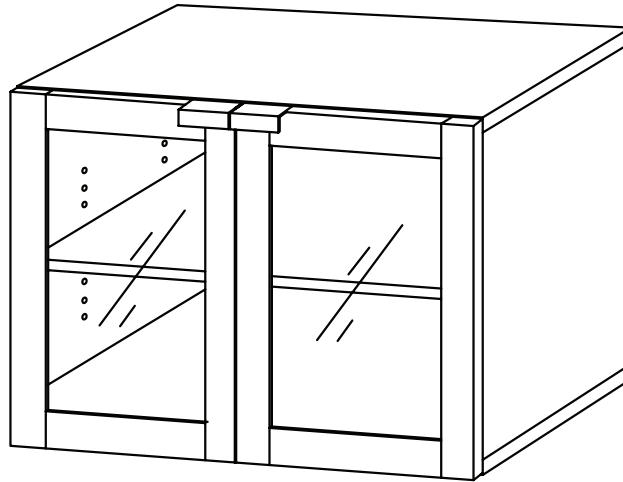
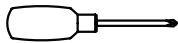


west elm everywhere storage - glass double door

assembly instructions

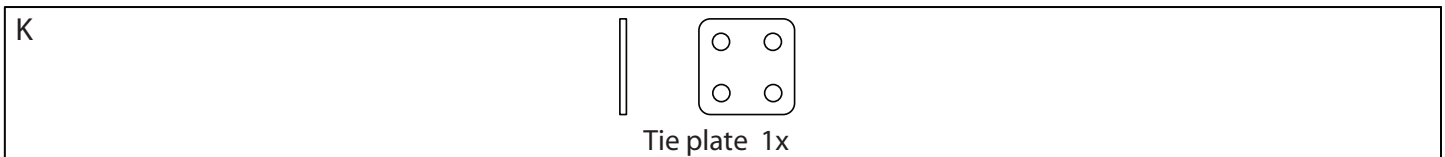
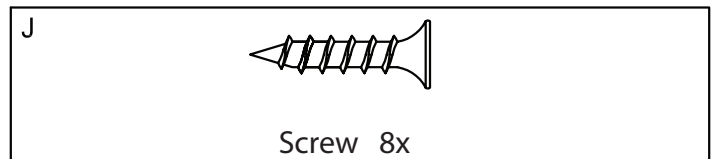
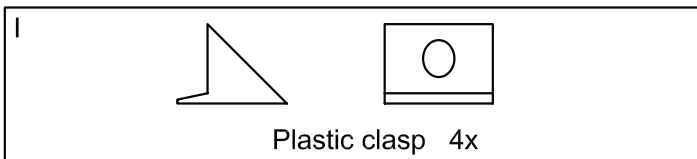
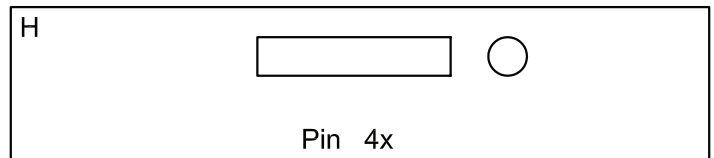
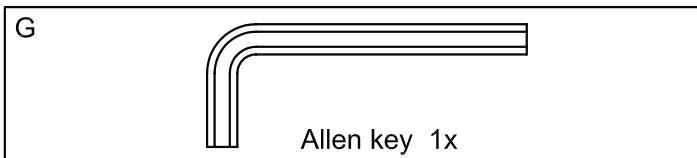
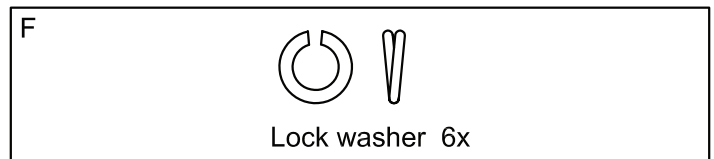
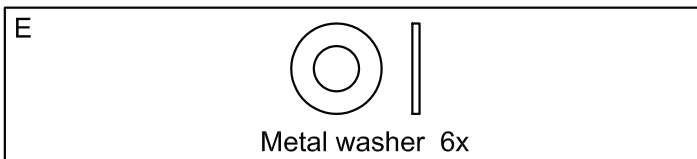
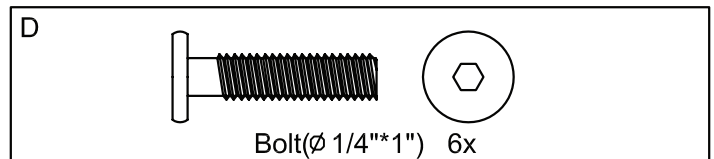
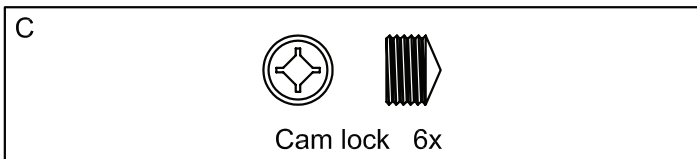
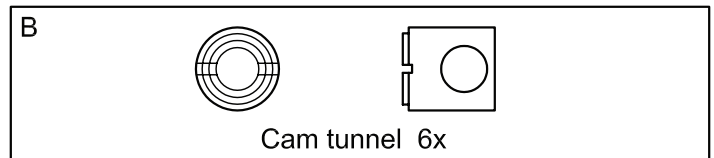
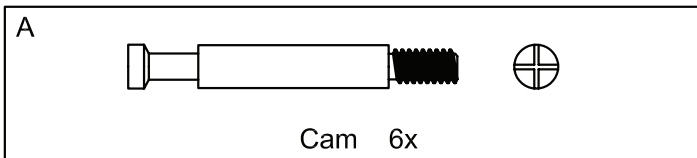


! Tools required: 

! Do not throw away packing materials until assembly is complete.

! Assemble this item on a soft surface, such as cardboard or carpet, to protect the finish.

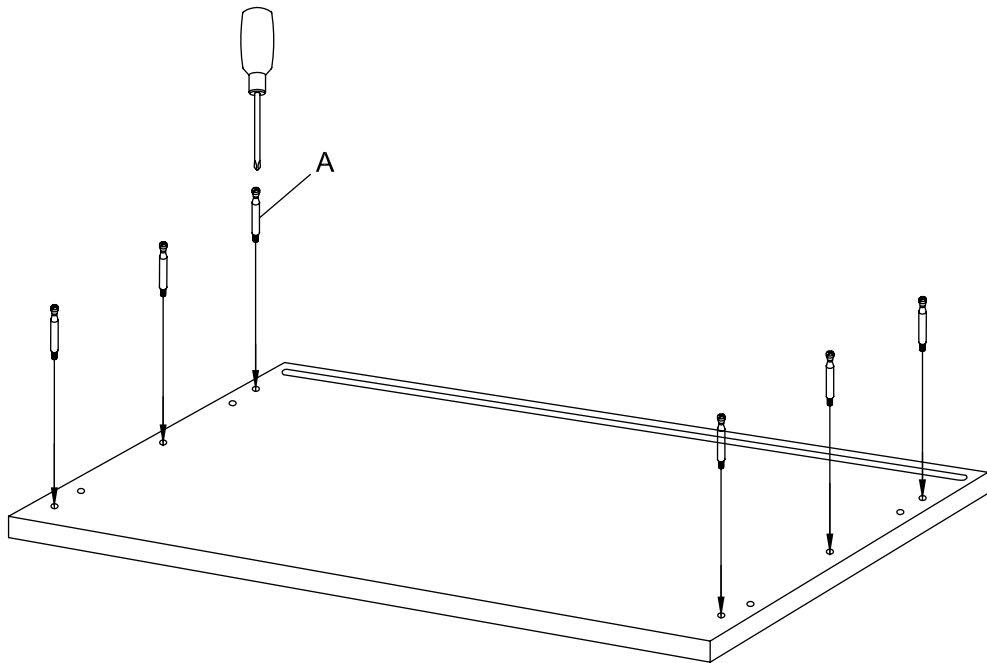
! Proper assembly of this item requires 2 people.



west elm everywhere storage - glass double door

assembly instructions

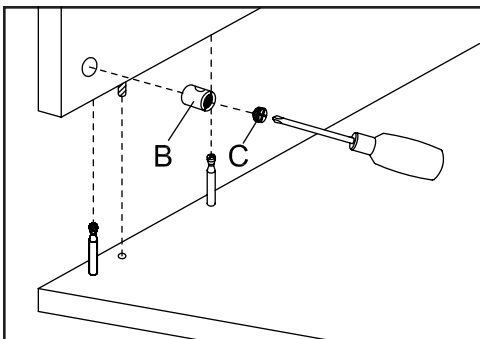
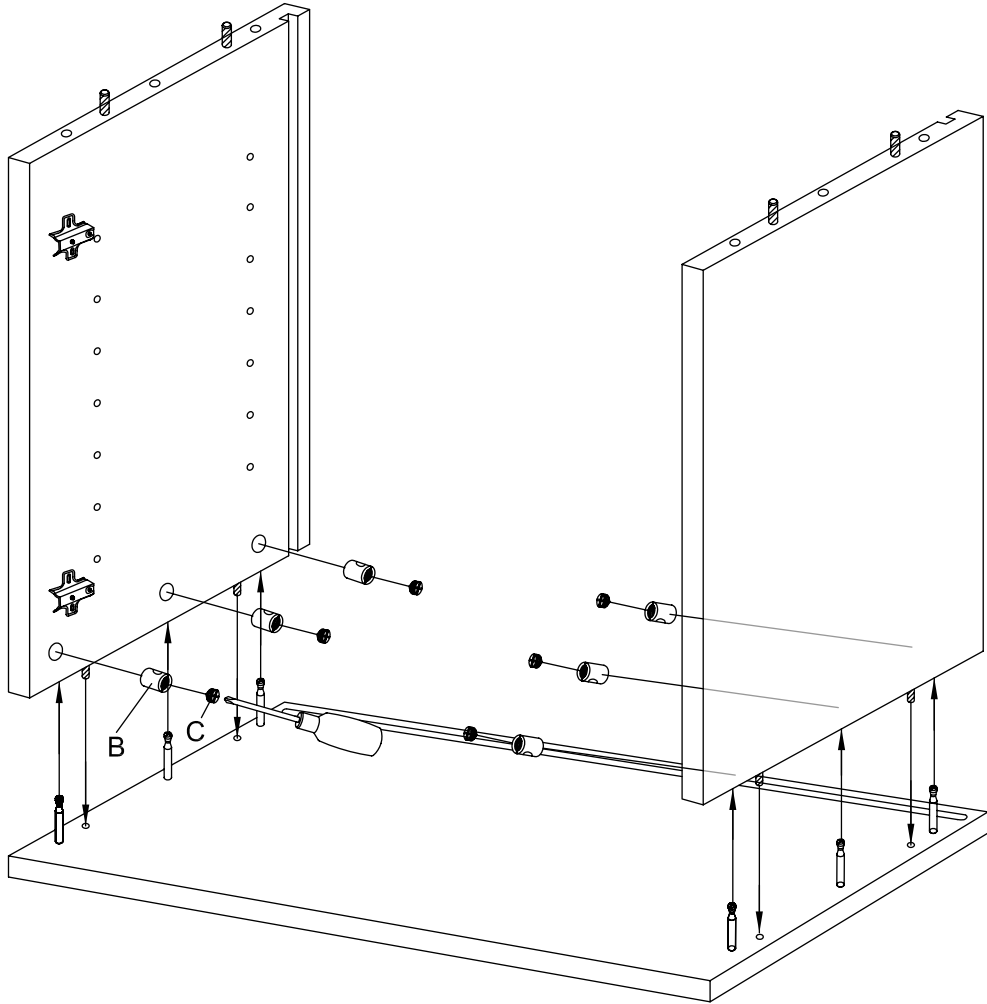
1. Screw cams into holes in top panel as shown. Tighten with phillips screwdriver.



west elm everywhere storage - glass double door

assembly instructions

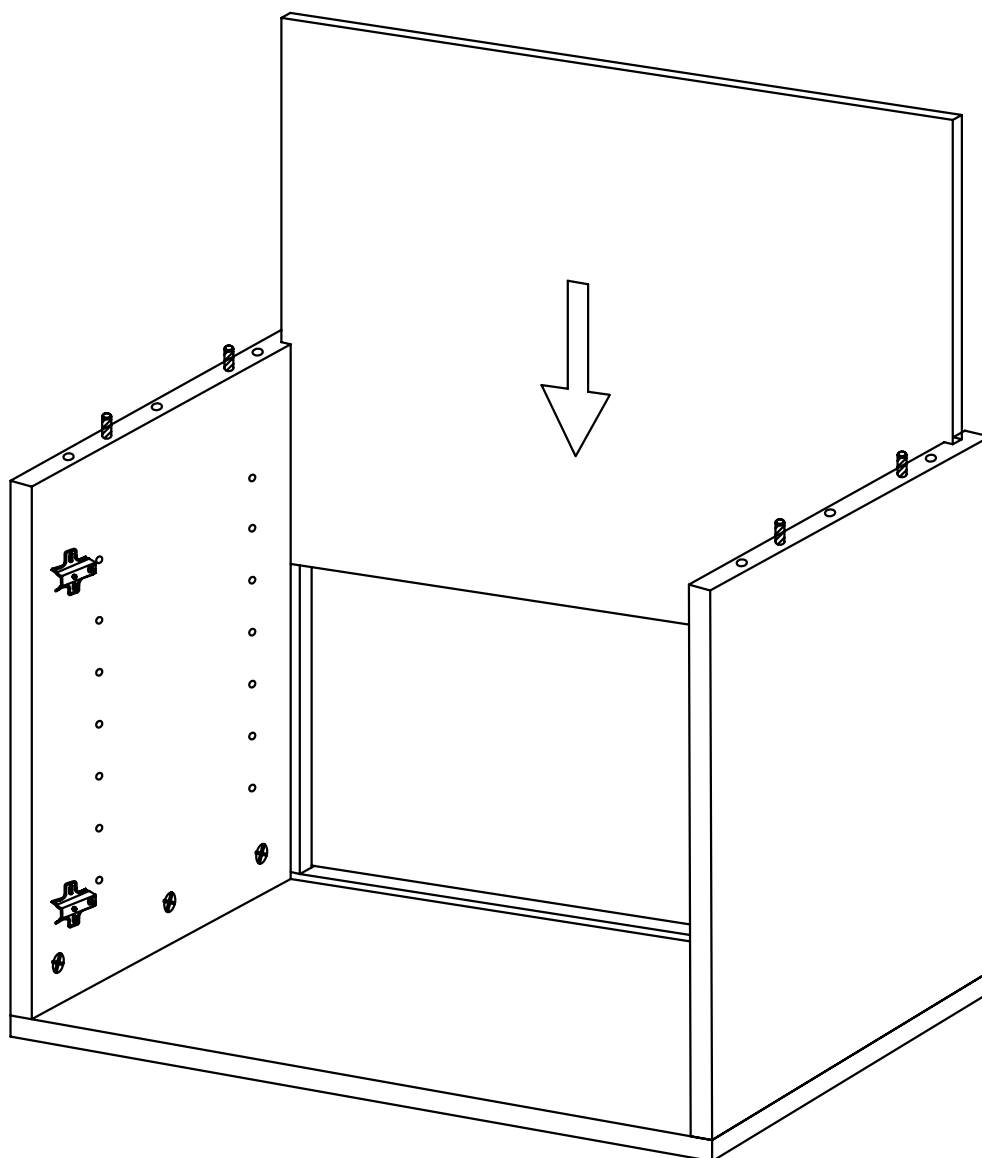
2. Connect top to sides as shown. Insert cam tunnels (B) into holes in side panels, insert cams into cam tunnels, and tighten together with cam locks (C) using phillips screwdriver.



west elm everywhere storage - glass double door

assembly instructions

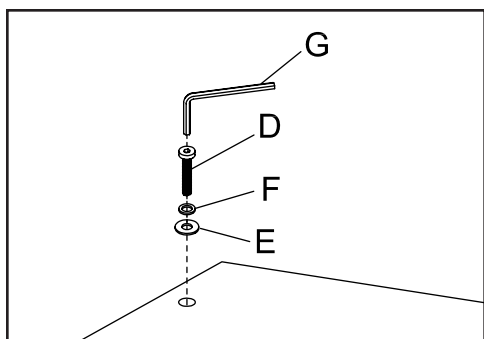
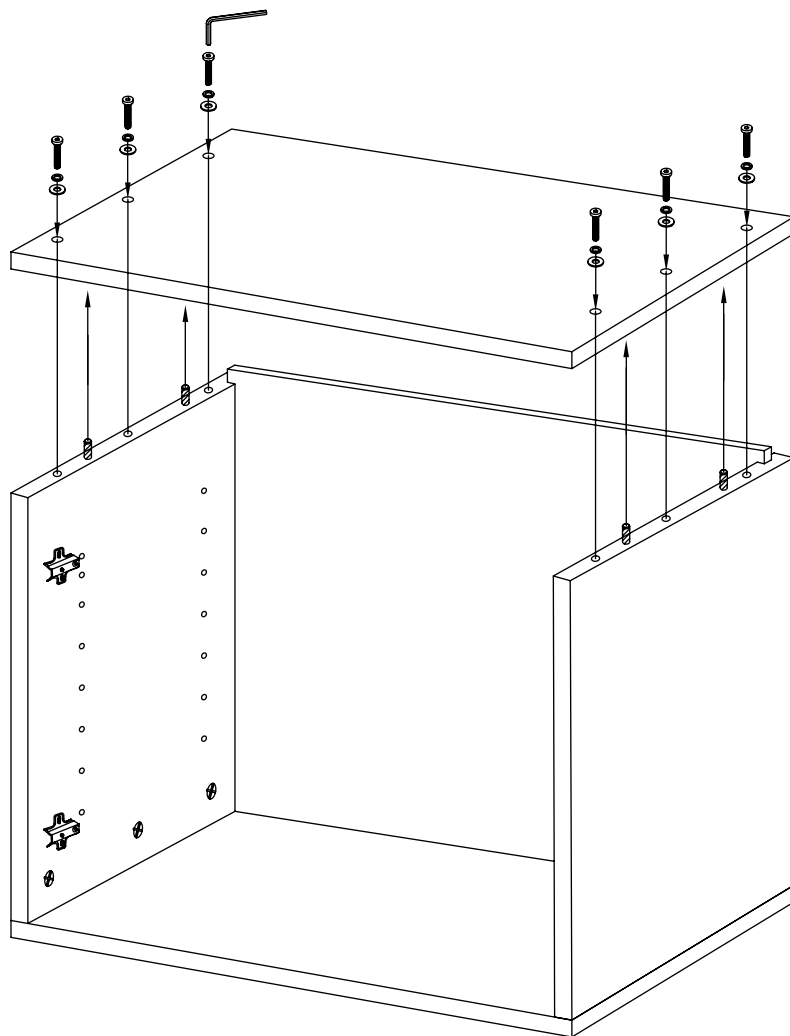
3. Slide in back panel as shown.



west elm everywhere storage - glass double door

assembly instructions

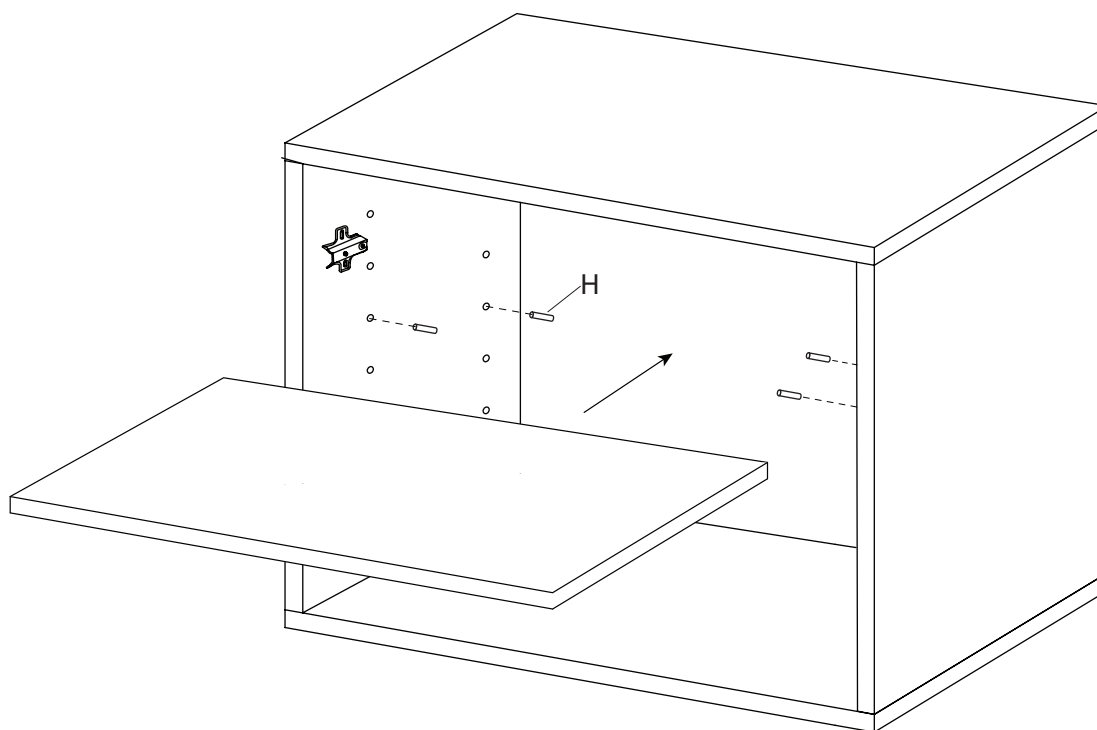
4. Fasten top to sides using bolts (D), lock washers (F), and metal washers (E). Tighten with allen key (G).



west elm everywhere storage - glass double door

assembly instructions

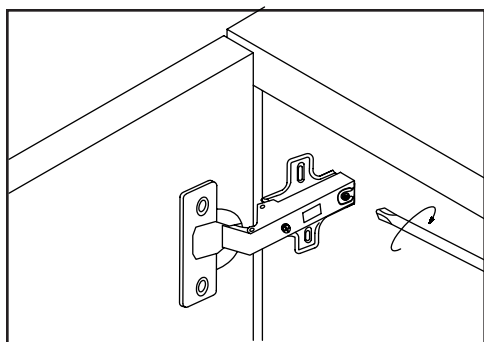
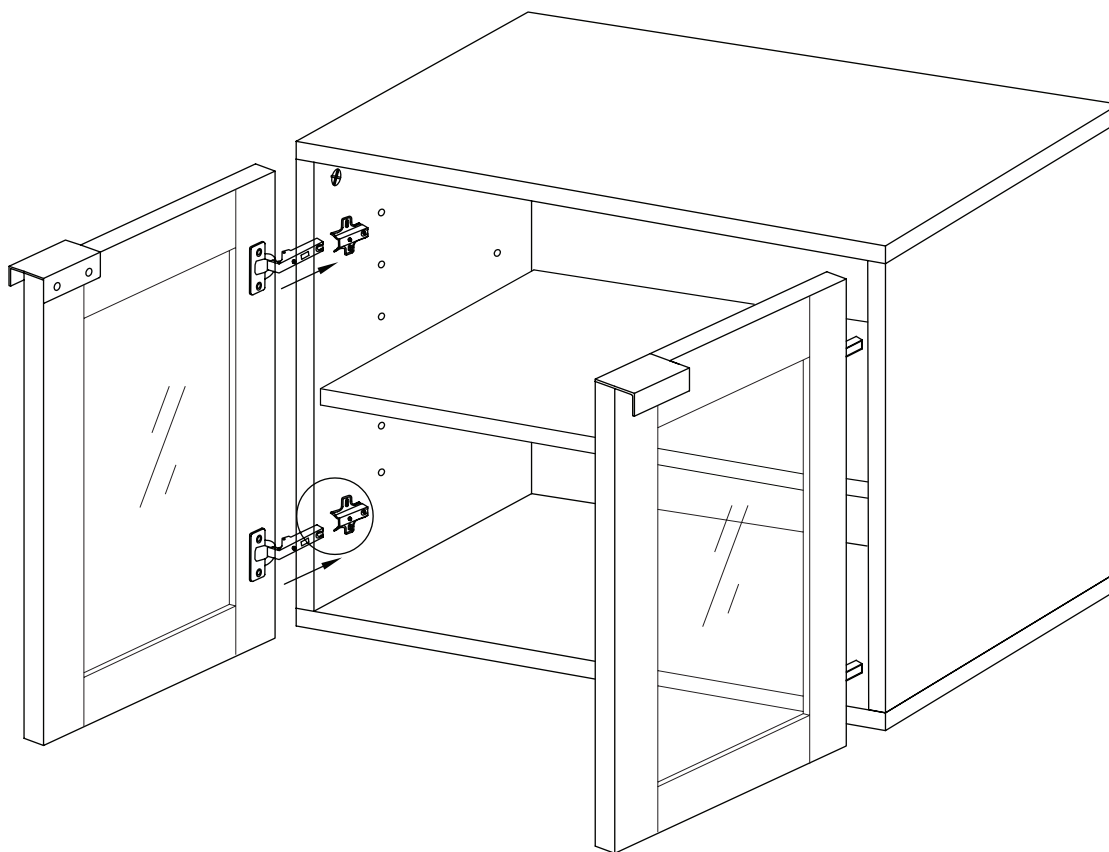
5. Insert pins (H) and set in shelf at desired height as shown.



west elm everywhere storage - glass double door

assembly instructions

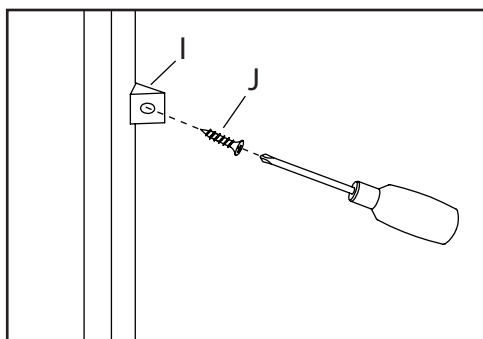
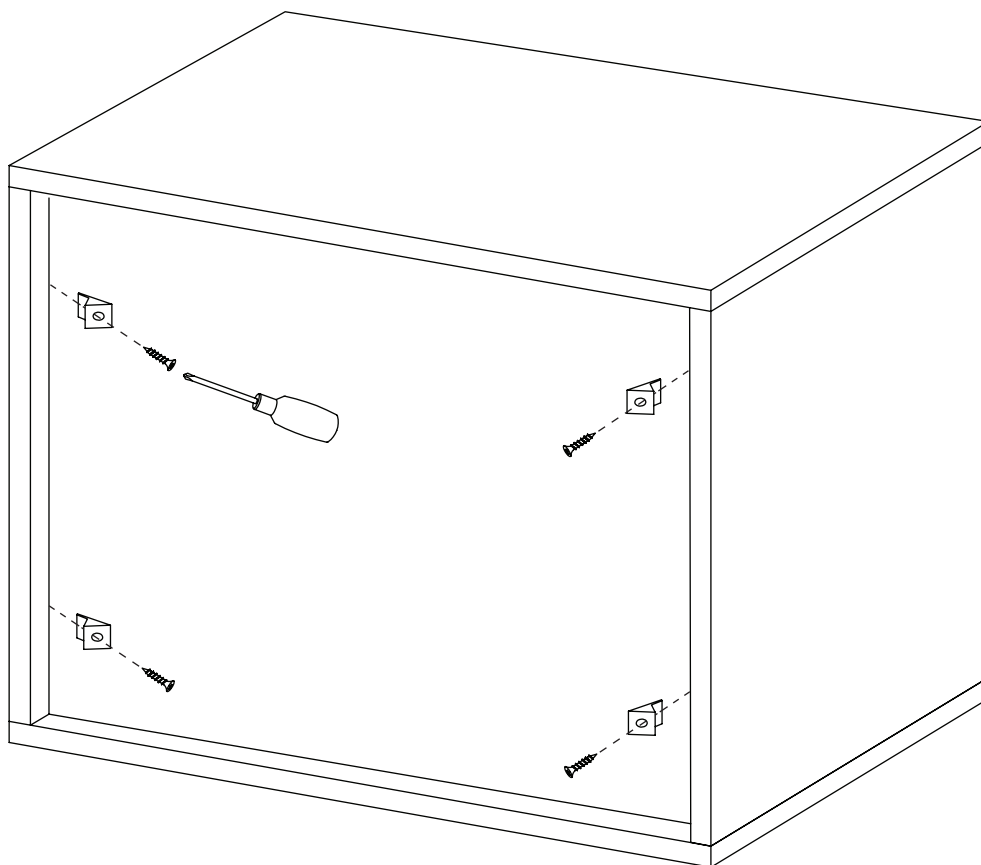
5. Insert door hinges into sides as shown. Tighten hinges and adjust hinge for door alignment using phillips screwdriver.



west elm everywhere storage - glass double door

assembly instructions

6. Fasten together back and side panel using plastic clasps (I) and screws (J) as shown. Tighten with phillips screwdriver.

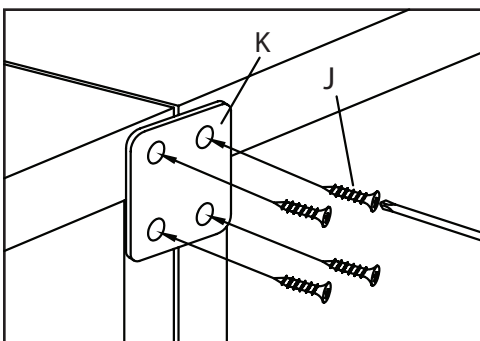
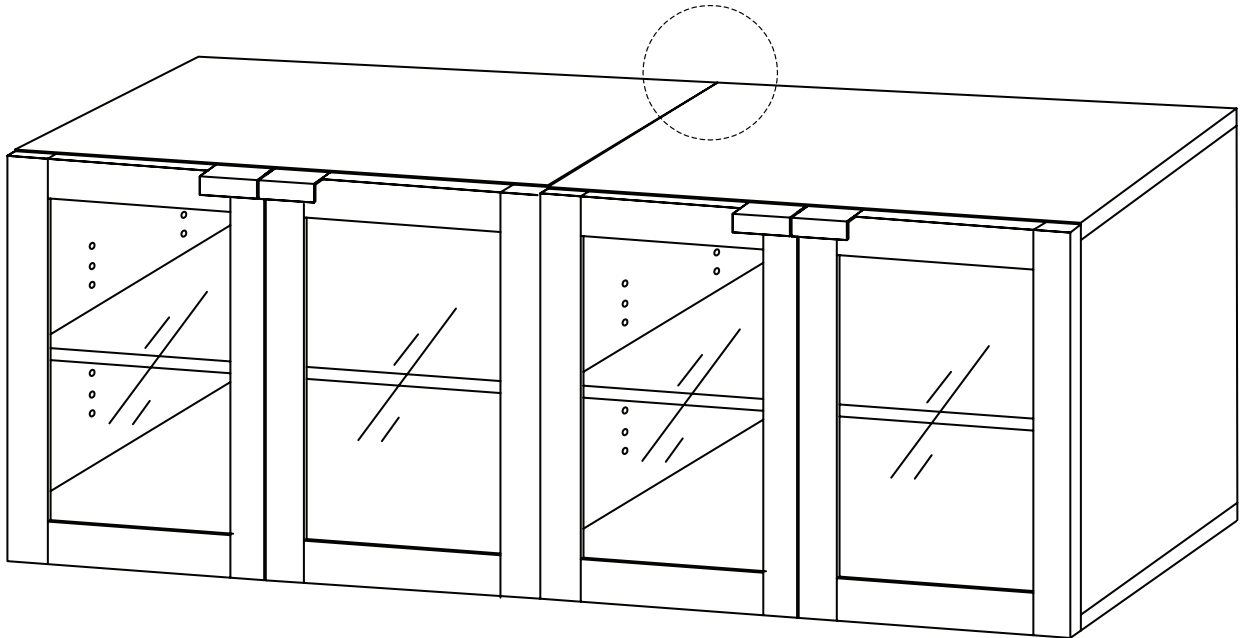


west elm everywhere storage - glass double door

assembly instructions

For Multiple Storage Units:

7. Fasten storage units together in back using connection plate (K) and screws (J) as shown. Tighten with phillips screwdriver.



CARE INSTRUCTIONS

Hardware may loosen over time. Periodically check that all connections are tight.

Wipe with a soft, dry cloth. To protect finish, avoid the use of chemicals and household cleaners.

west elm everywhere storage - glass double door

assembly instructions

OVER BALANCE. To prevent injury and property damage from unexpected tipping of furniture, we highly recommend installation of the overbalance protection hardware included with this product.

1. Attach the mounting brackets horizontally to the top back edge of the furniture. Insert the short screws through the holes in the bracket and tighten securely using screwdriver.
2. Determine where the furniture is to be placed and mark location on the wall for the other mounting bracket screw holes. It should be placed approximately 2" below the bracket mounted to the furniture.
3. Attach the mounting brackets vertically to the wall by inserting the long screws provided through the holes in the bracket and tightening securely using screwdriver.
4. Place the furniture so the brackets on the back edge are in line with the brackets on the wall.
5. Lace an end of the nylon restraint strap down through each bracket. Bring both ends together and slide the thin end of the strap through the receiving end of the strap until snug.
6. Check to make sure the strap is securely laced and locked to the brackets.

