

### CAUTION:

- Handle with care! This product contains glass material which is fragile.

### Important Safety Instructions:

- These instructions are provided for your safety. It is very important that they are read carefully and completely before beginning the assembly and installation of this lighting fixture.
- This portable luminaire has a polarized plug (one blade is wider than the other) as a safety feature to reduce the risk of electric shock. This plug will fit in a polarized outlet only one way. If the plug does not fit fully in the outlet, reverse the plug. If it still does not fit, contact a qualified electrician. Never use with an extension cord unless plug can be fully inserted. Do not alter the plug. Do not attempt to defeat this safety feature.
- This fixture has been rated for up to one (1) **60-watt maximum TYPE A standard incandescent light bulb** (not included) or one (1) **13-watt compact fluorescent light bulb** (not included) or one (1) **9-watt SBLED light bulb** (included). To avoid the risk of fire, do not exceed the recommended lamp wattage.
- The lamp is meant for indoor use.
- **Save these instructions.**

### WARNING:

- **To reduce the risk of fire, electrical shock or personal injury, always turn off and unplug the light fixture and allow it to cool prior to replacing the light bulb.**
- **Do not touch bulb when fixture is turned on. Do not look directly at lit bulb.**
- **Keep flammable materials away from lit bulb.**

### Pre-assembly:

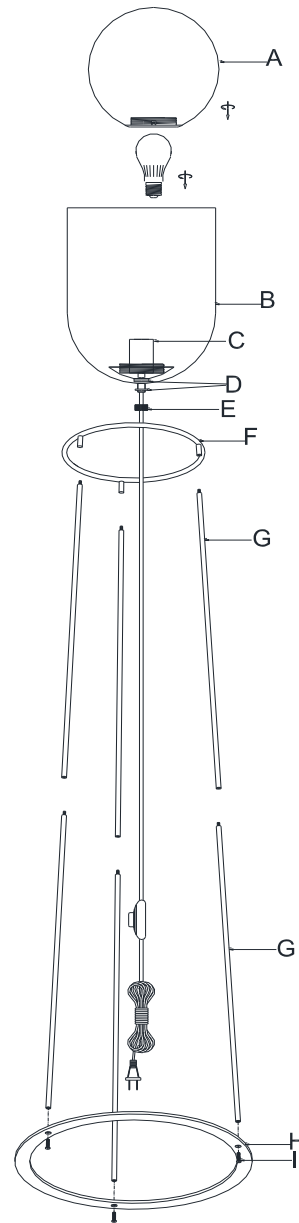
- Remove all parts and hardware from box along with any plastic protective packaging.
- Do not discard any contents until after assembly is complete to avoid accidentally discarding small parts or hardware.

### TOOLS REQUIRED (not included):

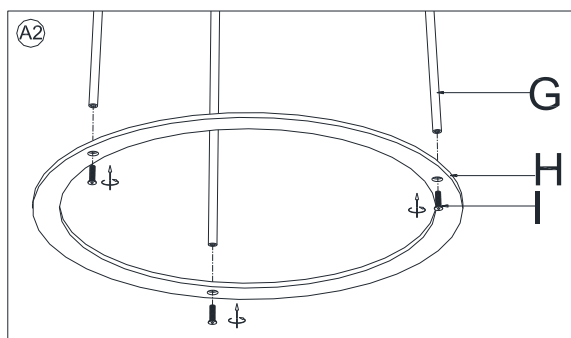
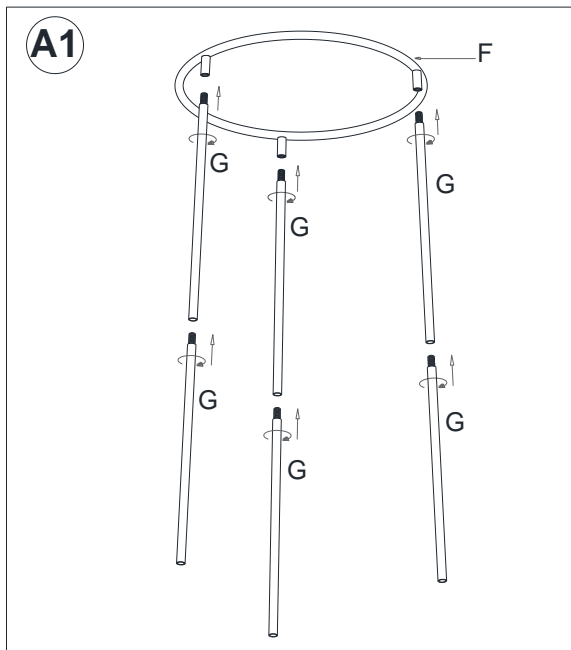


**Parts Included:**

- (A) Internal Glass Shade (1)
- (B) External Glass Shade (1)
- (C) Socket (1)
- (D) Rubber Washer (2)
- (E) Knurled Nut (1)
- (F) Upper Ring (1)
- (G) Tubes (6)
- (H) Bottom Ring (1)
- (I) Set Screws (3)

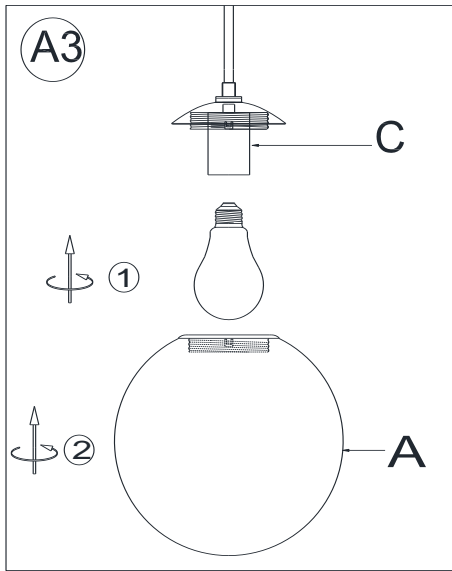


**To Assemble:**



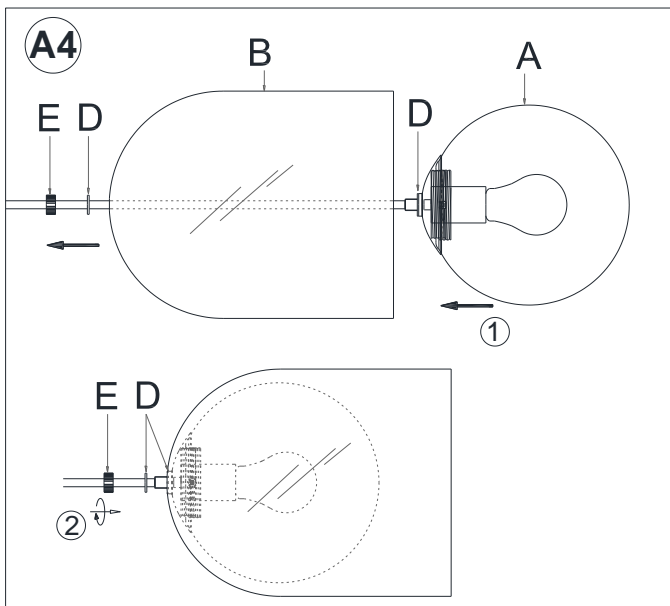
1. First attach 3 Tubes (G) into the 3 threaded nipples of Upper Ring (F) by rotating each Tube (G) in a clockwise direction until tight. Then attach the rest 3 Tubes (G) into the lower ends of assembled tubes.

2. Align the 3 bottom ends of Tubes (G) with the 3 holes on the Bottom Ring (H). Insert the Set Screws (I) and tighten with a screwdriver until secure.

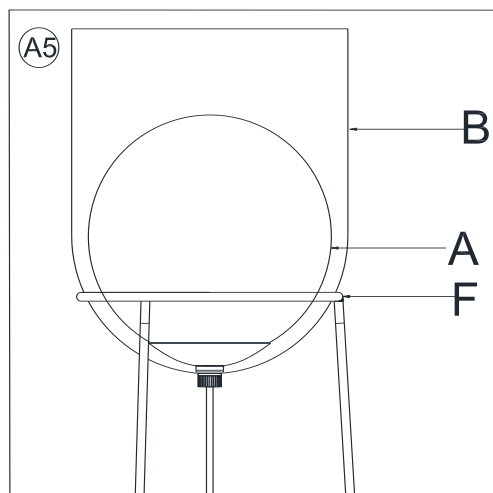


**It's recommended to do the shade assembly on a felted table and please handle carefully.**

- 3.1 Insert the specified light bulb into the Socket (C). **DO NOT EXCEED THE SPECIFIED WATTAGE.**
- 3.2 Carefully place the Internal Glass Shade (A) over the light bulb and Socket (C) and rotating clockwise until it's secured on the Socket (C). Hand-tighten only.



- 4.1 Lay the External Glass Shade (B) as shown. Carefully & slowly place the Internal Glass Shade (A) into the External Glass Shade (B) while simultaneously pulling the power cord out from the other end.
- 4.2 Hold the Internal Glass Shade (A) gently against the inner wall of the External Glass Shade (B) and secure using the Knurled Nut (E). Make sure that the Rubber Washers (D) are positioned on both sides of the shade wall. Do not over tighten the knurled nut.



5. Gently place the assembled Glass Shades (A&B) onto the Upper Ring (F).

**Care Instructions:**

- Wipe clean with a soft, dry cloth or static duster.
- Always avoid the use of harsh chemicals or abrasive cleaners as they may cause damage to the fixture's finishing.

Thank you for your purchase  
 Stores | catalog | [www.westelm.com](http://www.westelm.com)  
 USA 888-922-4119