

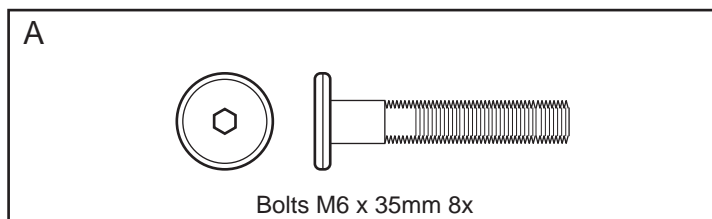
! Tools supplied:

! Do not throw away packaging materials until assembly is complete.

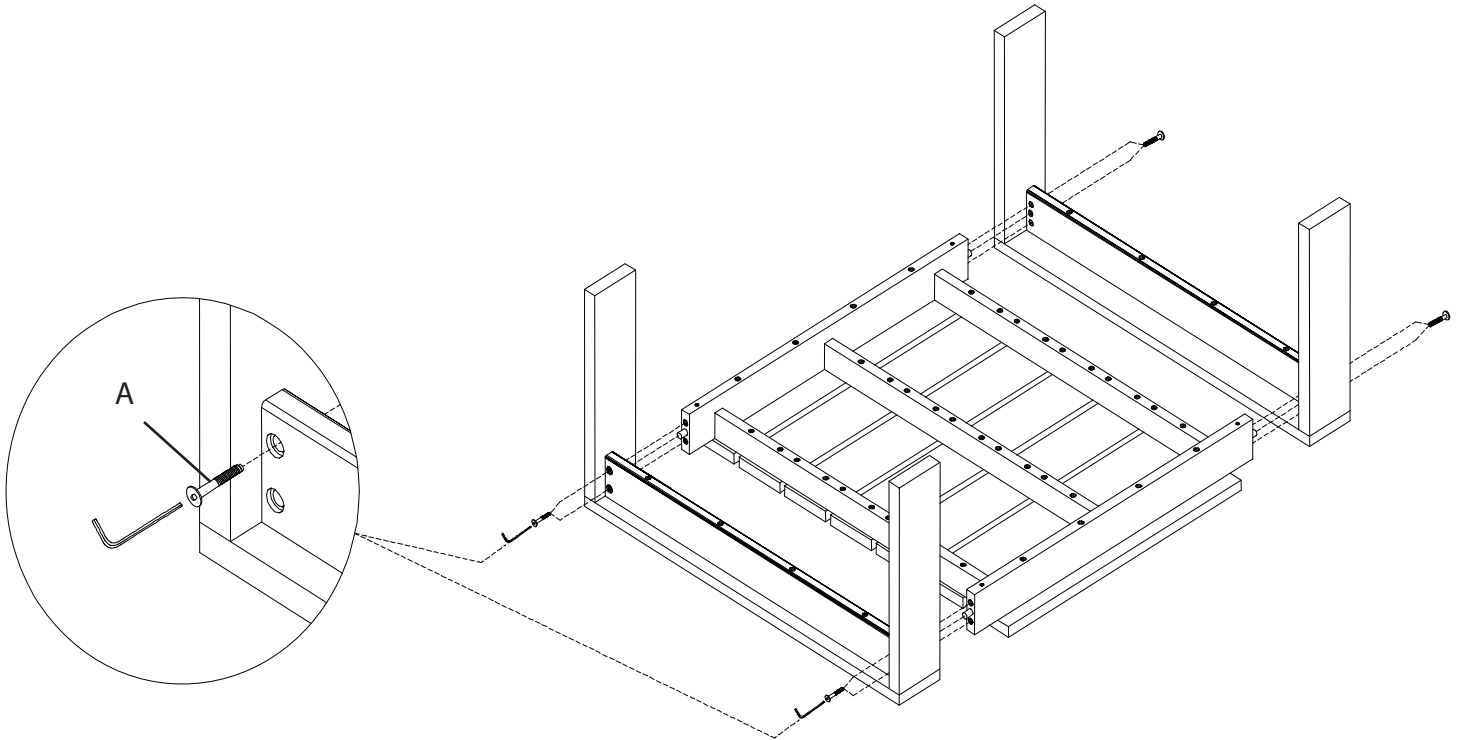
! Assemble this item on a soft surface, such as cardboard or carpet, to protect finish.

! Proper assembly of this item requires 2 people.

Hardware



1. Carefully lay table top upside down on a carpeted or scratch-free surface. From the outside of the leg frame insert 2 bolts (A) into the seat frame. Tighten with supplied hex key. Repeat for the opposite leg frame.



CARE INSTRUCTIONS

Hardware may loosen overtime. Periodically check that all connections are tight.

Wipe with a soft, dry cloth. To protect finish, avoid the use of chemicals and household cleaners.